

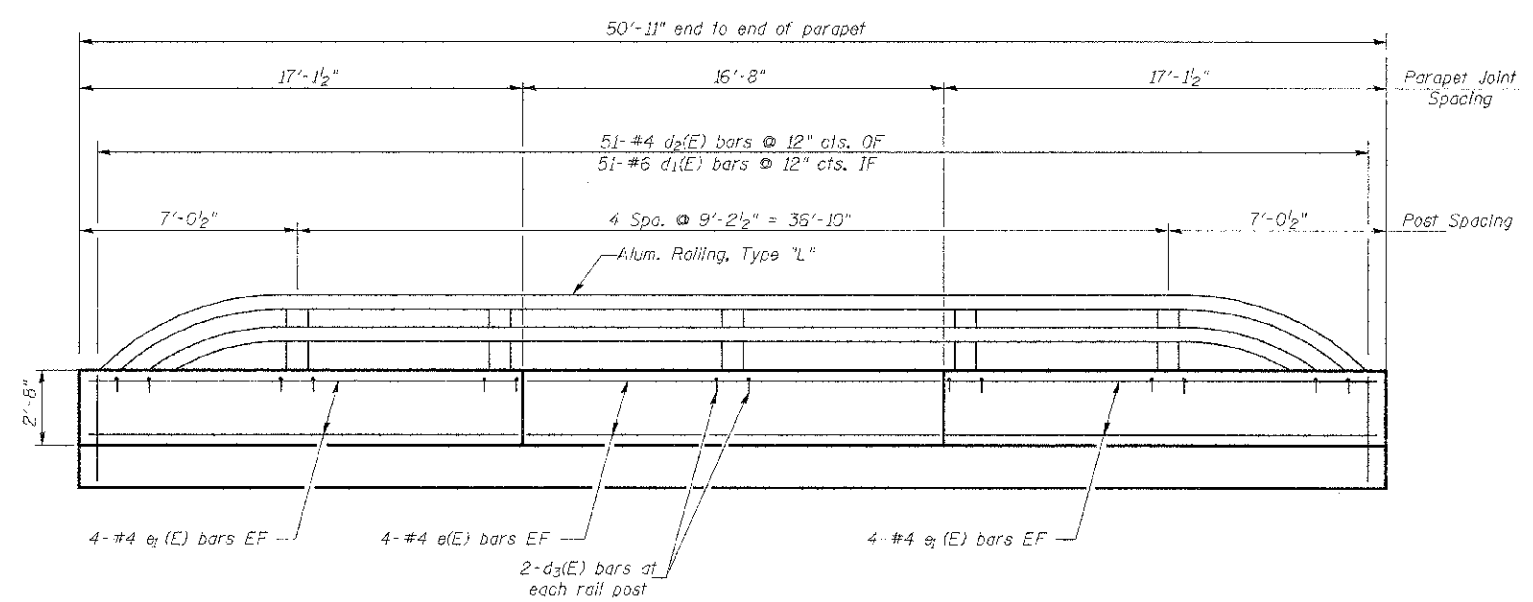
56-#4 v1(E) bars at 9" cts. East Exterior Wall
 56-#4 v1(E) bars at 9" cts. East Interior Wall
 56-#4 v2(F) bars at 9" cts. West Interior Wall
 56-#4 v3(E) bars at 9" cts. West Exterior Wall

11x2-#5 h3(E) bars at 9" cts. West Exterior Wall
 10x2-#5 h3(E) bars at 9" cts. West Interior Wall
 9x2-#5 h3(E) bars at 10" cts. East Interior Wall
 8x2-#5 h3(E) bars at 10" cts. East Exterior Wall

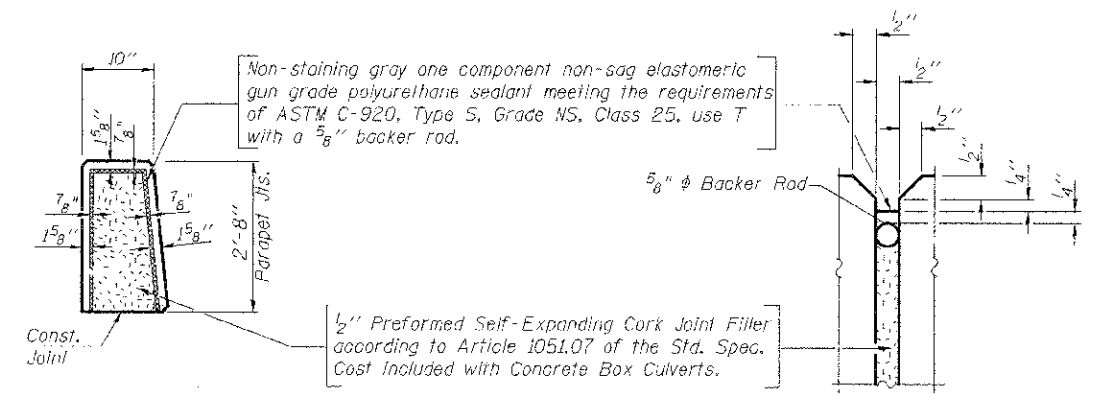
EF=Each Face
 FF=Front Face
 BF=Back Face
 IF=Inside Face
 OF=Outside Face

	A	B
NW	13'-4"	16'-0"
NE	10'-11 7/8"	13'-7 7/8"
SW	13'-4 1/2"	16'-0 1/2"
SE	11'-0 5/8"	13'-8 3/8"

LONGITUDINAL SECTION



INSIDE ELEVATION OF PARAPET



PARAPET JOINT DETAILS

CULVERT DETAILS

SHEET NO. 3	F.A.U. RTE.	SECTION	COUNTY	TOTAL SHEETS	SHEET NO.
6 SHEETS	6143	11-00693-00-DR	LA SALLE	20	14
S.N. 050-8026			CONTRACT NO. 87522		
FED. ROAD DIST. NO. 7 ILLINOIS			FED. AID PROJECT BRM-5066(016)		