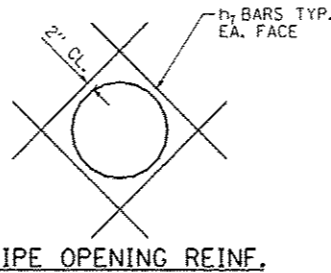
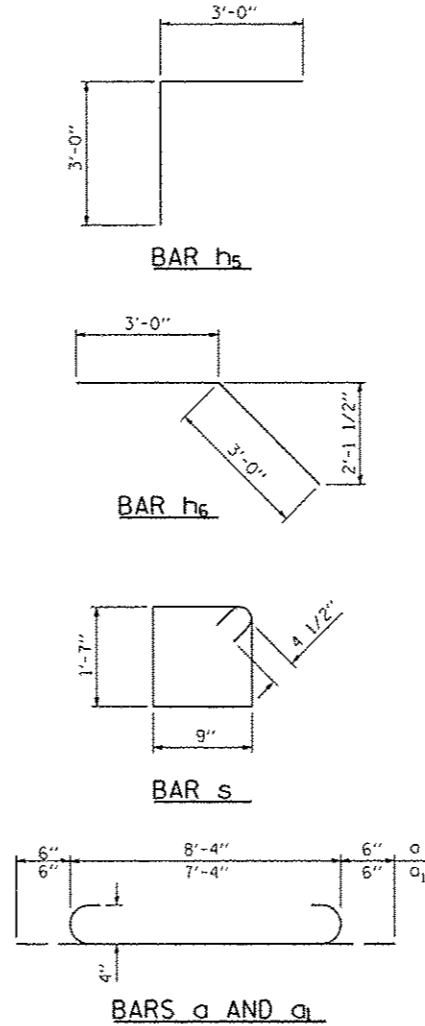


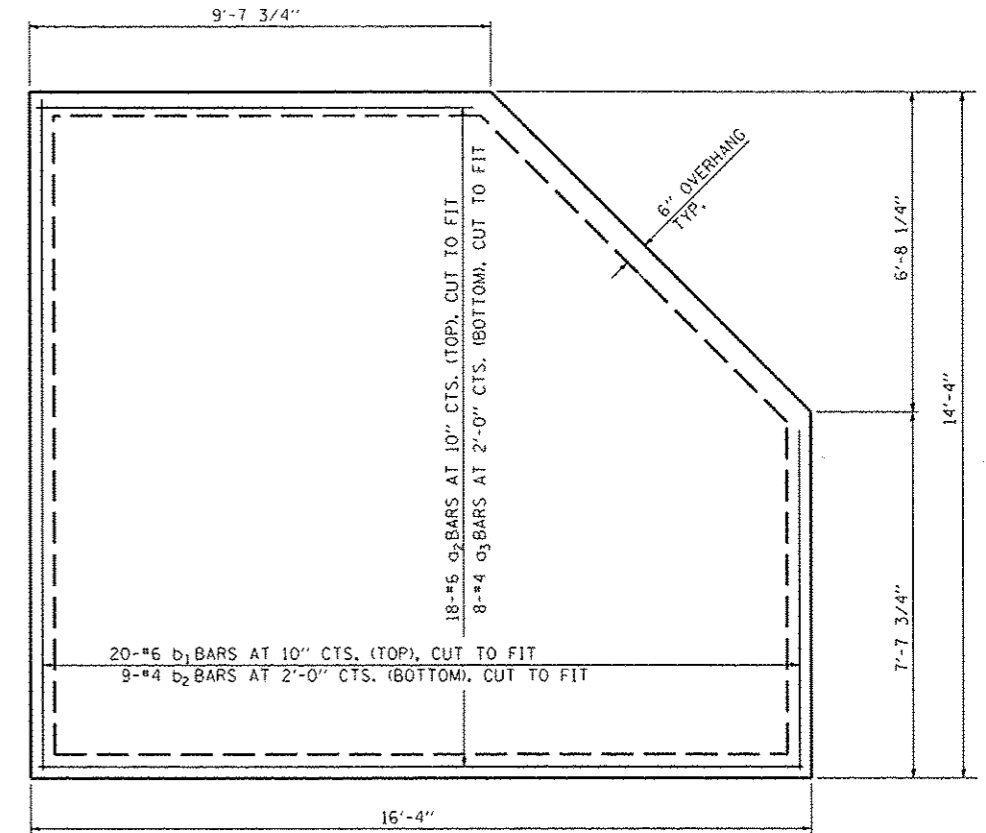
PLAN



PIPE OPENING REINF.



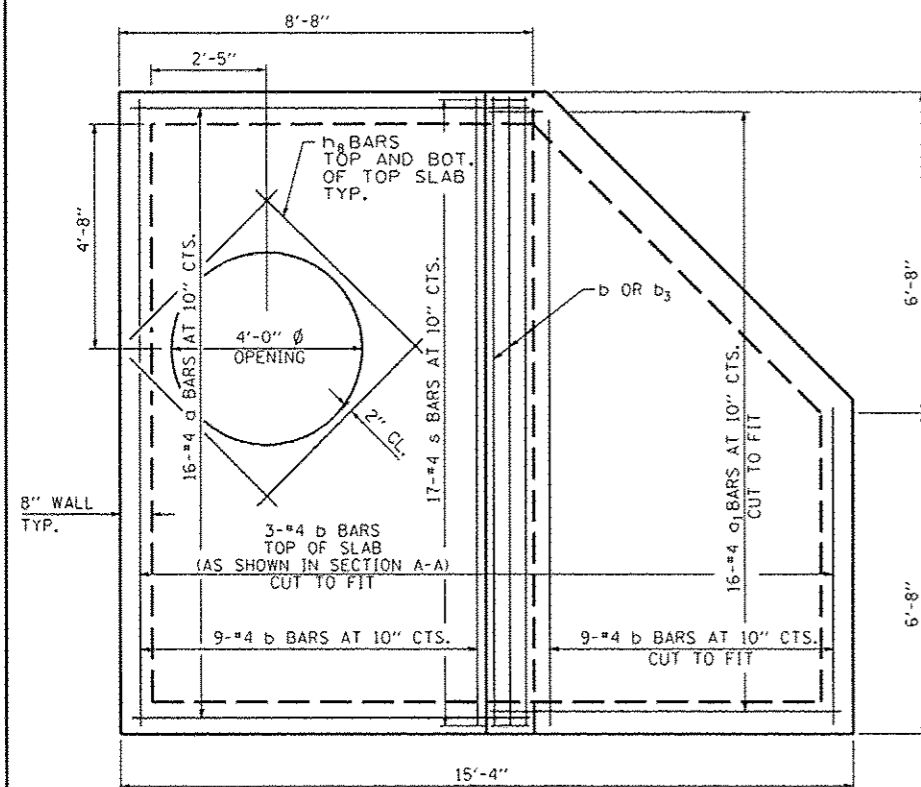
BARs a AND a1



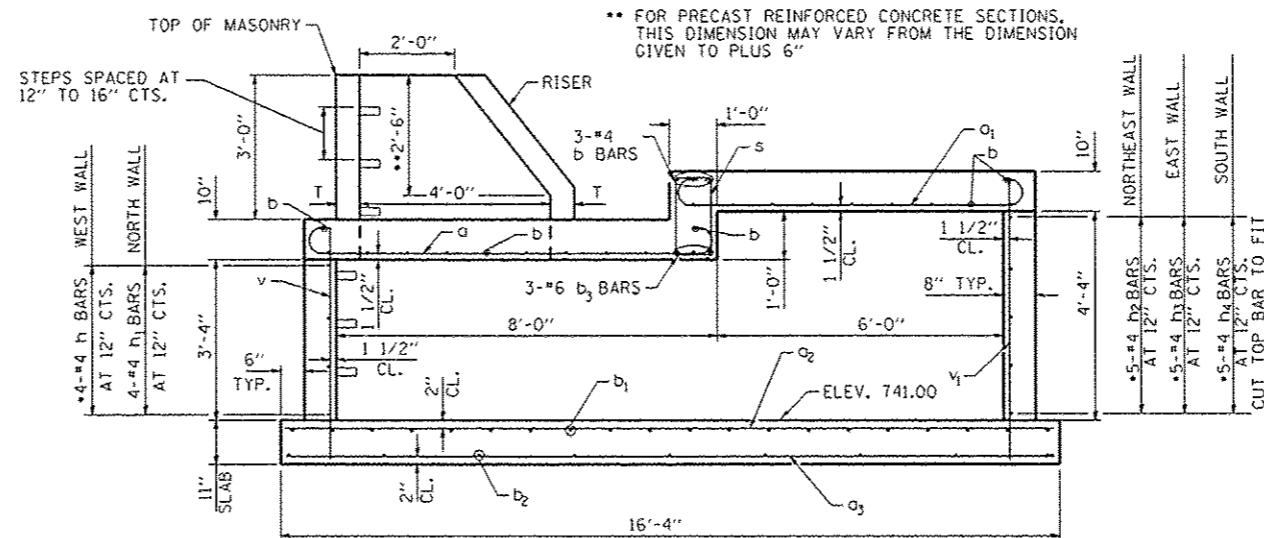
BASE SLAB

BILL OF MATERIAL FOR INFORMATION ONLY

BAR	NO.	SIZE	LENGTH	SHAPE
a	16	#4	9'-4"	[U-shape]
a1	16	#4	8'-4"	[U-shape]
a2	18	#6	16'-0"	[Horizontal bar]
a3	8	#4	16'-0"	[Horizontal bar]
b	24	#4	13'-0"	[Horizontal bar]
b1	20	#6	14'-0"	[Horizontal bar]
b2	9	#4	14'-0"	[Horizontal bar]
b3	3	#6	13'-0"	[Horizontal bar]
h	4	#4	13'-0"	[Horizontal bar]
h1	4	#4	9'-0"	[Horizontal bar]
h2	5	#4	9'-5"	[Horizontal bar]
h3	5	#4	7'-0"	[Horizontal bar]
h4	5	#4	15'-0"	[Horizontal bar]
h5	13	#5	6'-0"	[Horizontal bar]
h6	9	#5	6'-0"	[Horizontal bar]
h7	48	#4	4'-0"	[Horizontal bar]
h8	8	#4	6'-0"	[Horizontal bar]
s	17	#4	5'-5"	[Square]
v	32	#4	4'-9"	[Horizontal bar]
v1	27	#4	5'-9"	[Horizontal bar]
REINFORCEMENT BARS		POUND		2210
CONCRETE		CU. YD.		17.1



TOP SLAB



SECTION A-A

* CUT BARS TO FIT AROUND PIPES.

NOTES:
 CAST WALL AROUND PIPES
 SEE STANDARD 602701 FOR DETAILS OF MANHOLE STEPS
 COST OF RISER AND MANHOLE STEPS INCLUDED IN CONCRETE STRUCTURES

ALTERNATE MATERIALS FOR RISER WALLS	T (MIN.)
CONCRETE MASONRY UNITS	5"
PRECAST REINFORCED CONCRETE SECTIONS	4"
CAST-IN-PLACE CONCRETE	6"