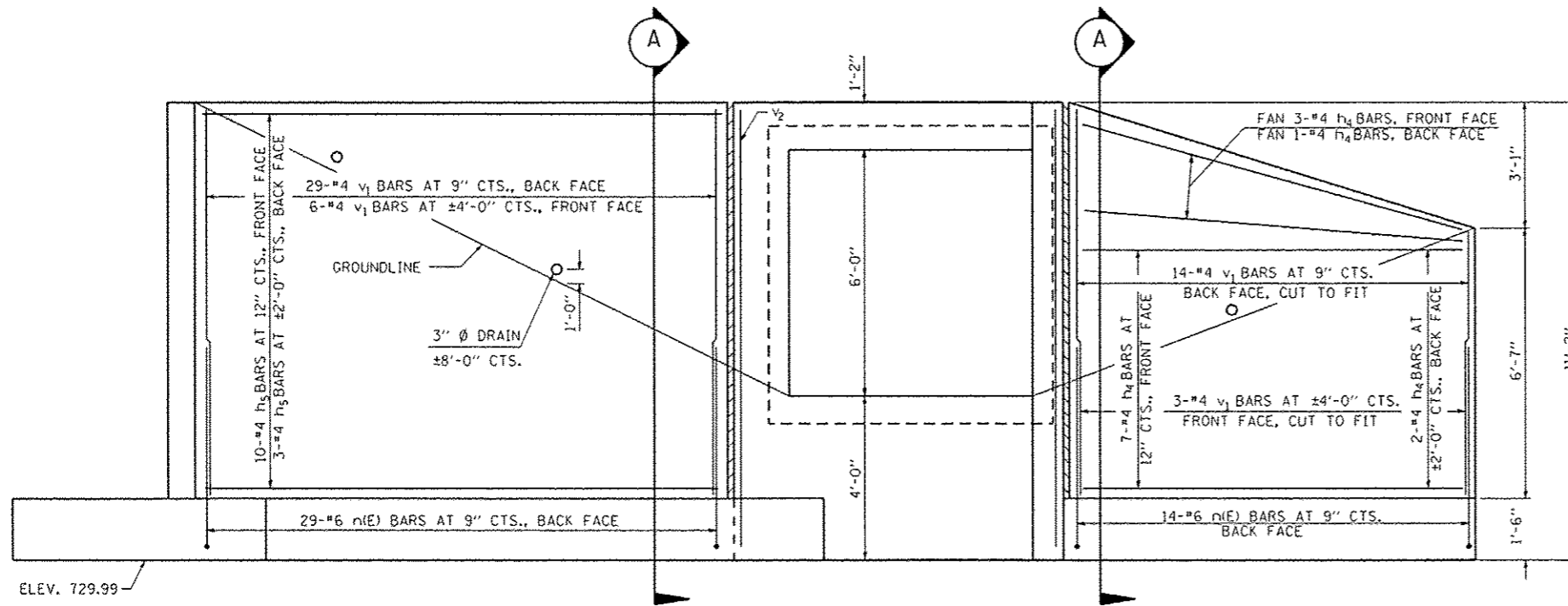
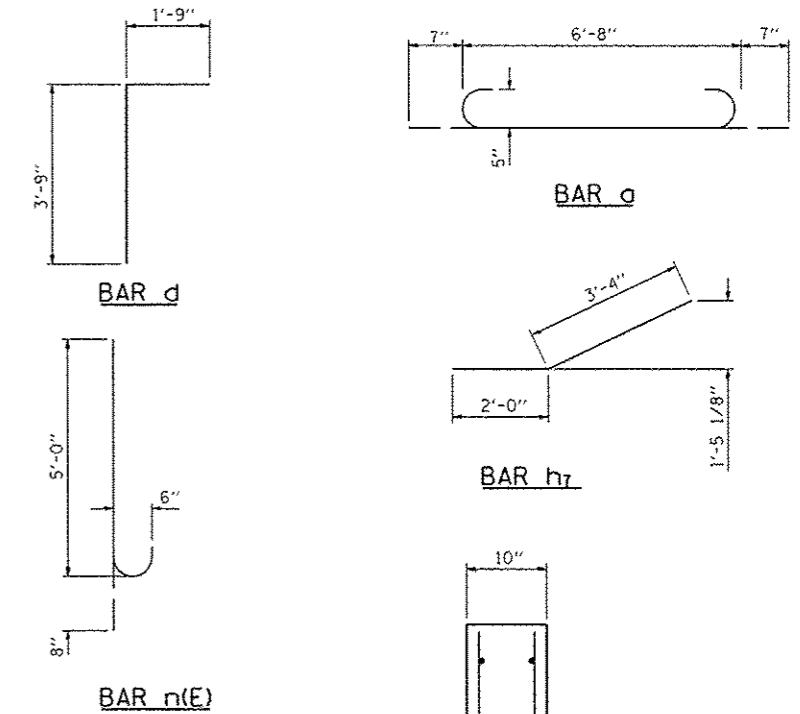


SECTION THROUGH BARREL  
LOOKING NORTH

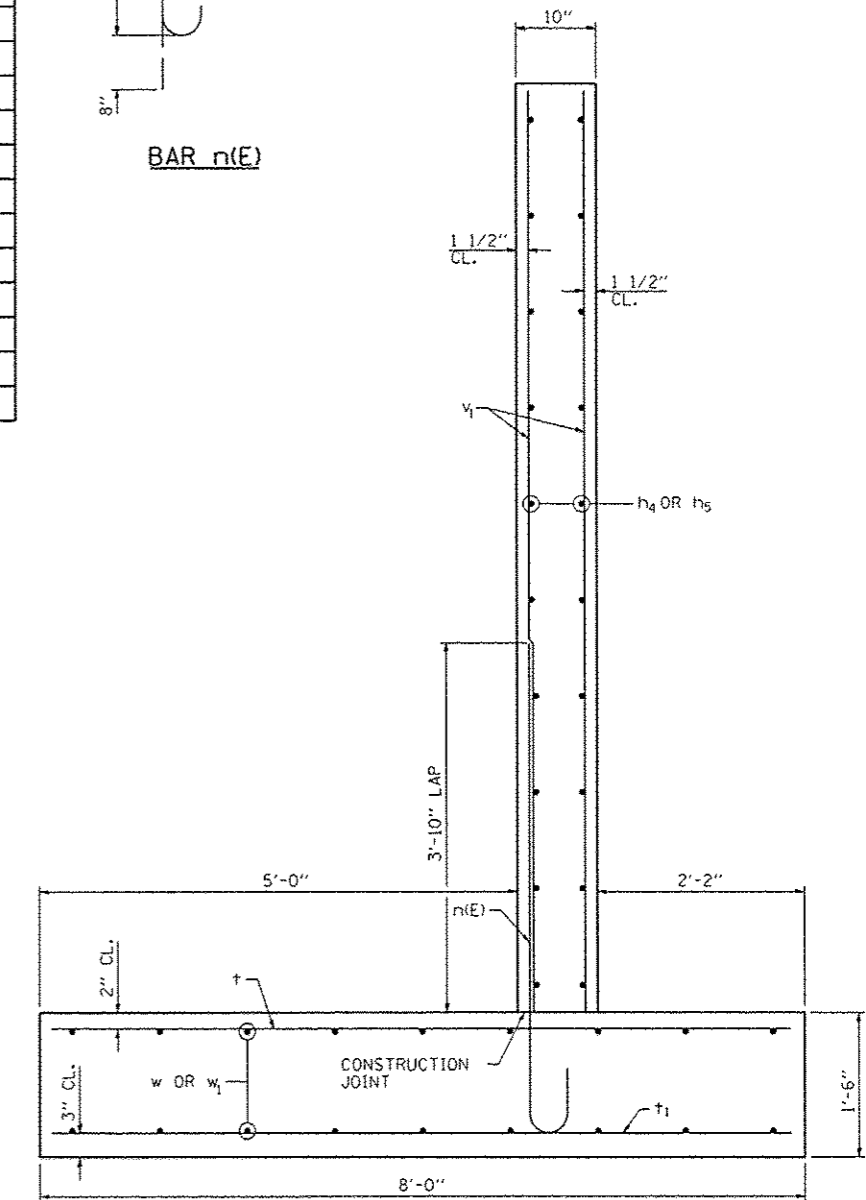
NOTE: REINFORCEMENT BARS DESIGNATED (E) SHALL BE EPOXY COATED

BILL OF MATERIAL

BAR	NO.	SIZE	LENGTH	SHAPE
a	112	#5	7'-10"	
a <sub>1</sub>	25	#4	6'-4"	
d	25	#4	5'-6"	
h	22	#5	23'-6"	
h <sub>1</sub>	32	#4	23'-3"	
h <sub>2</sub>	14	#5	23'-6"	
h <sub>3</sub>	14	#5	20'-2"	
h <sub>4</sub>	15	#4	9'-8"	
h <sub>5</sub>	15	#4	21'-2"	
h <sub>6</sub>	6	#6	11'-6"	
h <sub>7</sub>	25	#5	5'-4"	
h <sub>8</sub>	8	#5	6'-0"	
n(E)	43	#6	5'-8"	
t	39	#6	7'-8"	
t <sub>1</sub>	33	#4	7'-8"	
v	117	#4	6'-11"	
v <sub>1</sub>	52	#4	9'-4"	
v <sub>2</sub>	4	#5	10'-10"	
w	9	#5	9'-8"	
w <sub>1</sub>	9	#5	21'-2"	
CONCRETE STRUCTURES			CU. YD.	49.4
REINFORCEMENT BARS, EPOXY COATED			POUND	370
REINFORCEMENT BARS			POUND	5210



ELEVATION



SECTION A-A