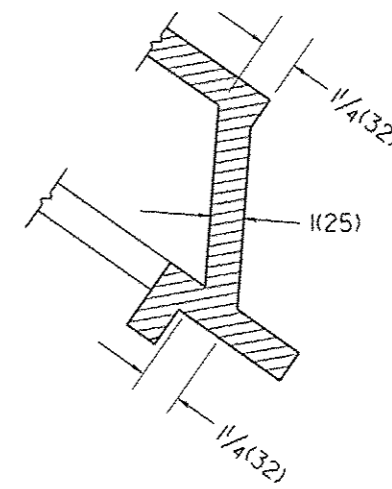
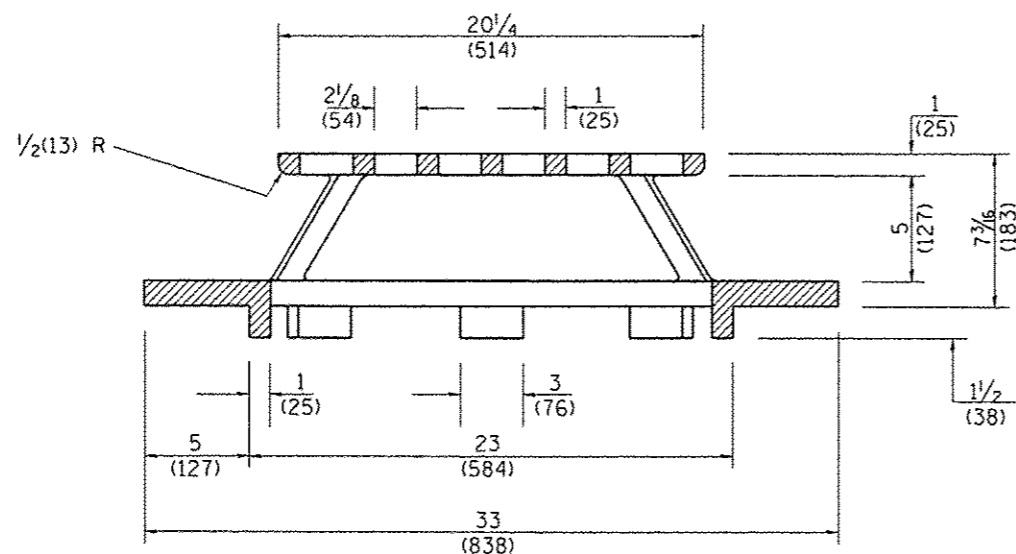


PLAN



SECTION B - B



SECTION A - A

GENERAL NOTES

1. MATERIAL - Cast Gray Iron
Weight 209 lbs (95 kg)

DESIGNER NOTE:
1. INCLUDE DISTRICT SPECIAL PROVISION.

All dimensions are in inches (millimeters) unless otherwise noted.

01-01-97	RENUM. B-10.02, NEW REVISION BOX	T.P.																																
10-16-06	REVISED TO 2007 SPEC.	M.A.																																
STATE OF ILLINOIS DEPARTMENT OF TRANSPORTATION										TYPE 37 GRATE																								
										NOT TO SCALE					CADD STD. 604301-D4																			
															<table border="1"> <tr> <th>F.A. RTE.</th> <th>SECTION</th> <th>COUNTY</th> <th>TOTAL SHEETS</th> <th>SHEET NO.</th> </tr> <tr> <td>6745</td> <td>07-00069-00-WR</td> <td>TAZEWELL</td> <td>98</td> <td>68</td> </tr> <tr> <td colspan="3"></td> <td colspan="2" style="text-align: center;">CONTRACT NO. 89492</td> </tr> </table>					F.A. RTE.	SECTION	COUNTY	TOTAL SHEETS	SHEET NO.	6745	07-00069-00-WR	TAZEWELL	98	68				CONTRACT NO. 89492	
F.A. RTE.	SECTION	COUNTY	TOTAL SHEETS	SHEET NO.																														
6745	07-00069-00-WR	TAZEWELL	98	68																														
			CONTRACT NO. 89492																															
															<table border="1"> <tr> <th>FED. ROAD DIST. NO.</th> <th>ILLINOIS FED. AID PROJECT</th> </tr> <tr> <td></td> <td></td> </tr> </table>					FED. ROAD DIST. NO.	ILLINOIS FED. AID PROJECT													
FED. ROAD DIST. NO.	ILLINOIS FED. AID PROJECT																																	