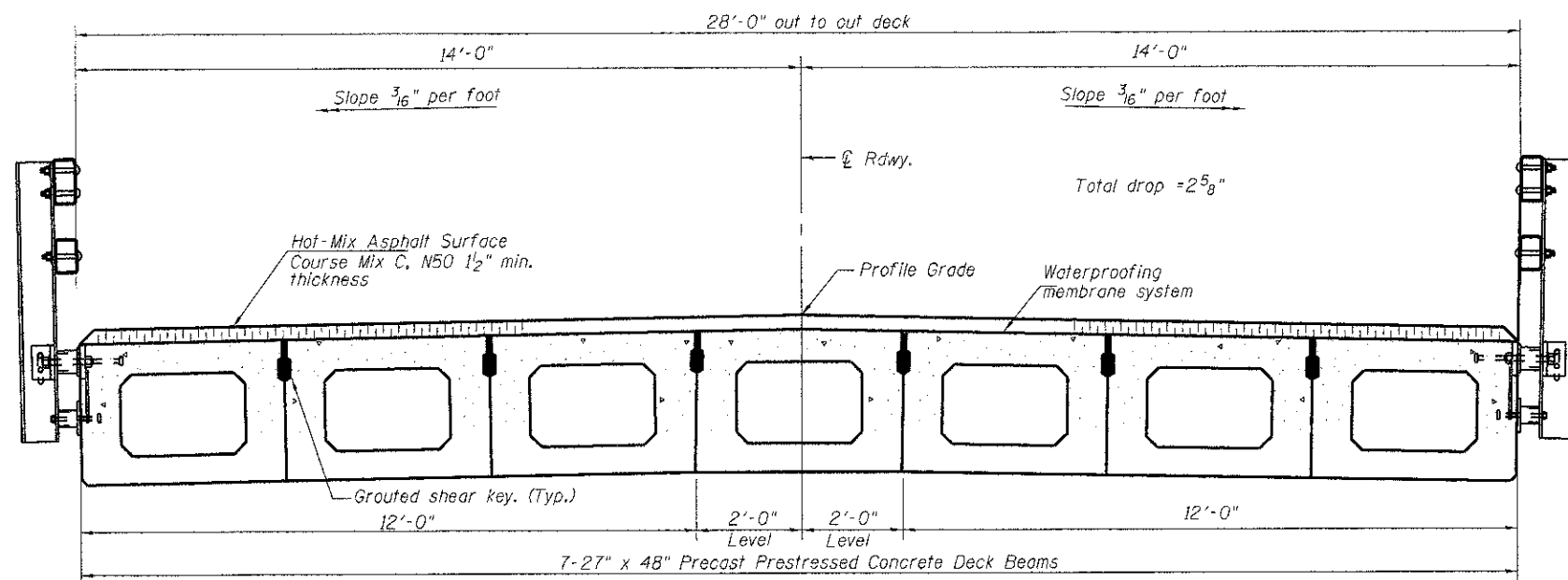
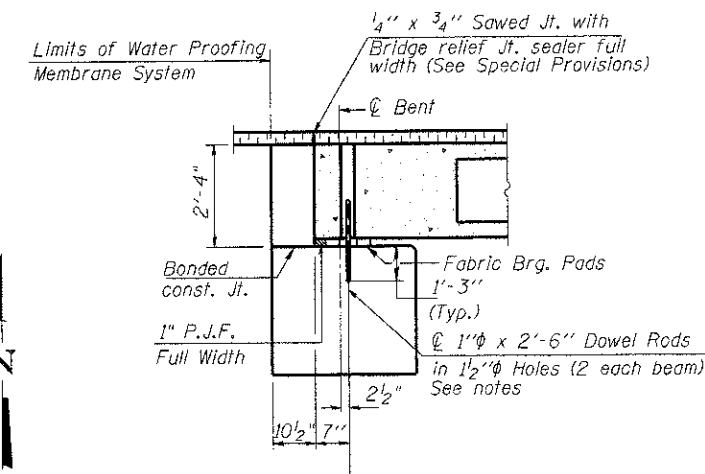


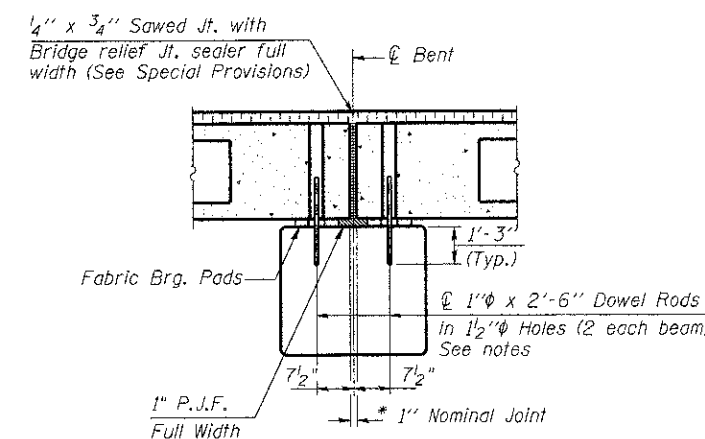
PLAN



CROSS SECTION

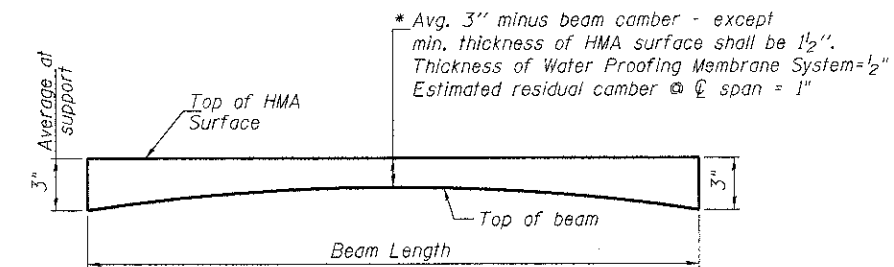


SECTION C-C
(Dimensions are at Rt. L's)



SECTION D-D
(Dimensions are at Rt. L's)

*1" Jt. shall be filled with non-shrink grout. 1" dimension may vary to accommodate tolerance in beam lengths.



ANTICIPATED HMA WEARING SURFACE PROFILE
(For information only)

BILL OF MATERIAL

| ITEM | UNIT | QUANTITY |
|--|------|----------|
| Hot-Mix Asphalt Surface Course, Mix C, N50 | Tons | 17 |

Notes:
See sheet 4 of 14 for Deck Beam Details, Fabric Bearing Pads and Bill of Material.
After beams have been erected, holes shall be drilled into substructure and anchor dowels placed. Dowel holes shall be filled with non-shrink grout to top of beam and allowed to cure min. 24 hrs. prior to grouting the shear keys. Cost included in "PPC Deck Beams (27" depth)."

PDS-HMA-M-R34-L 7-1-10

| | | |
|-------------------|----------------|---------|
| USER NAME = | DESIGNED - KRC | REVISED |
| PLOT SCALE = NONE | CHECKED - MJK | REVISED |
| PLOT DATE = | DRAWN - GSJ | REVISED |
| | CHECKED - MJK | REVISED |

MID-AMERICA ENGINEERING SERVICES
SPRINGFIELD ILLINOIS

SUPERSTRUCTURE SPANS 1 & 3
STRUCTURE NO 084-3414

SHEET NO. 3 OF 14 SHEETS

| | | | | |
|------------------------|----------------|---------------------------|--------------|-----------|
| F.A.S. RTE. | SECTION | COUNTY | TOTAL SHEETS | SHEET NO. |
| 624 | 08-00085-00-BR | SANGAMON | 32 | 12 |
| STRUCTURE NO. 084-3414 | | CONTRACT NO. 3585 | | |
| STA. 122+30 | | ILLINOIS FED. AID PROJECT | | |