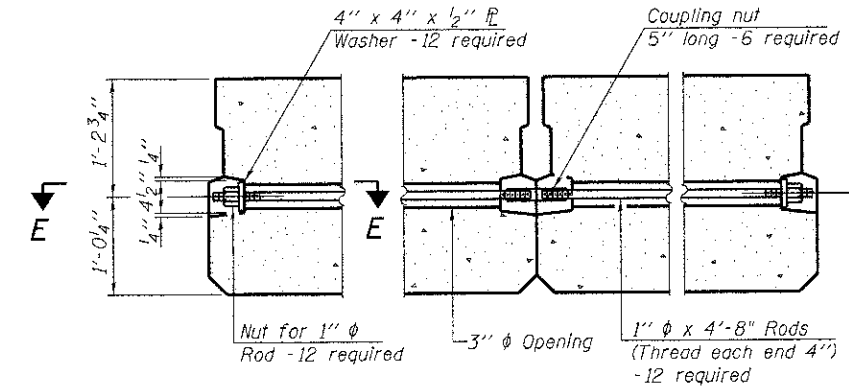


FABRIC BEARING PAD
(Interior)

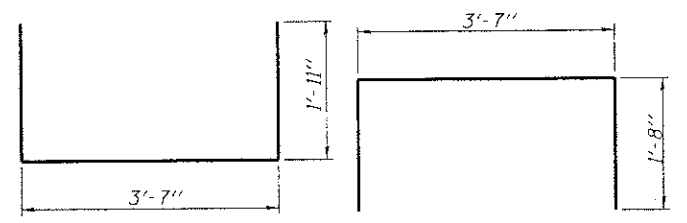
FABRIC BEARING PAD
(Exterior)

SECTION E-E

Notes:
All bearing pads shall be 1" thick.

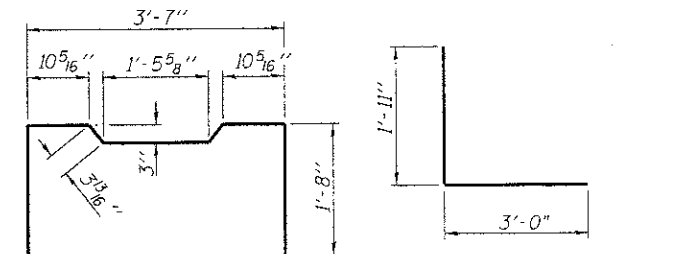


TYPICAL TRANSVERSE TIE ASSEMBLY



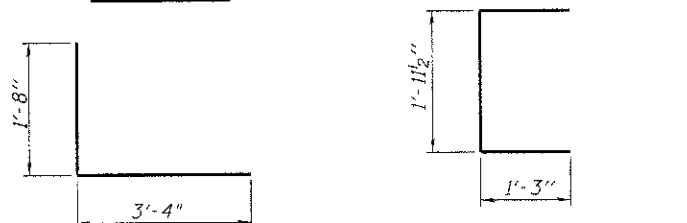
BAR S1(E)

BAR S2(E)



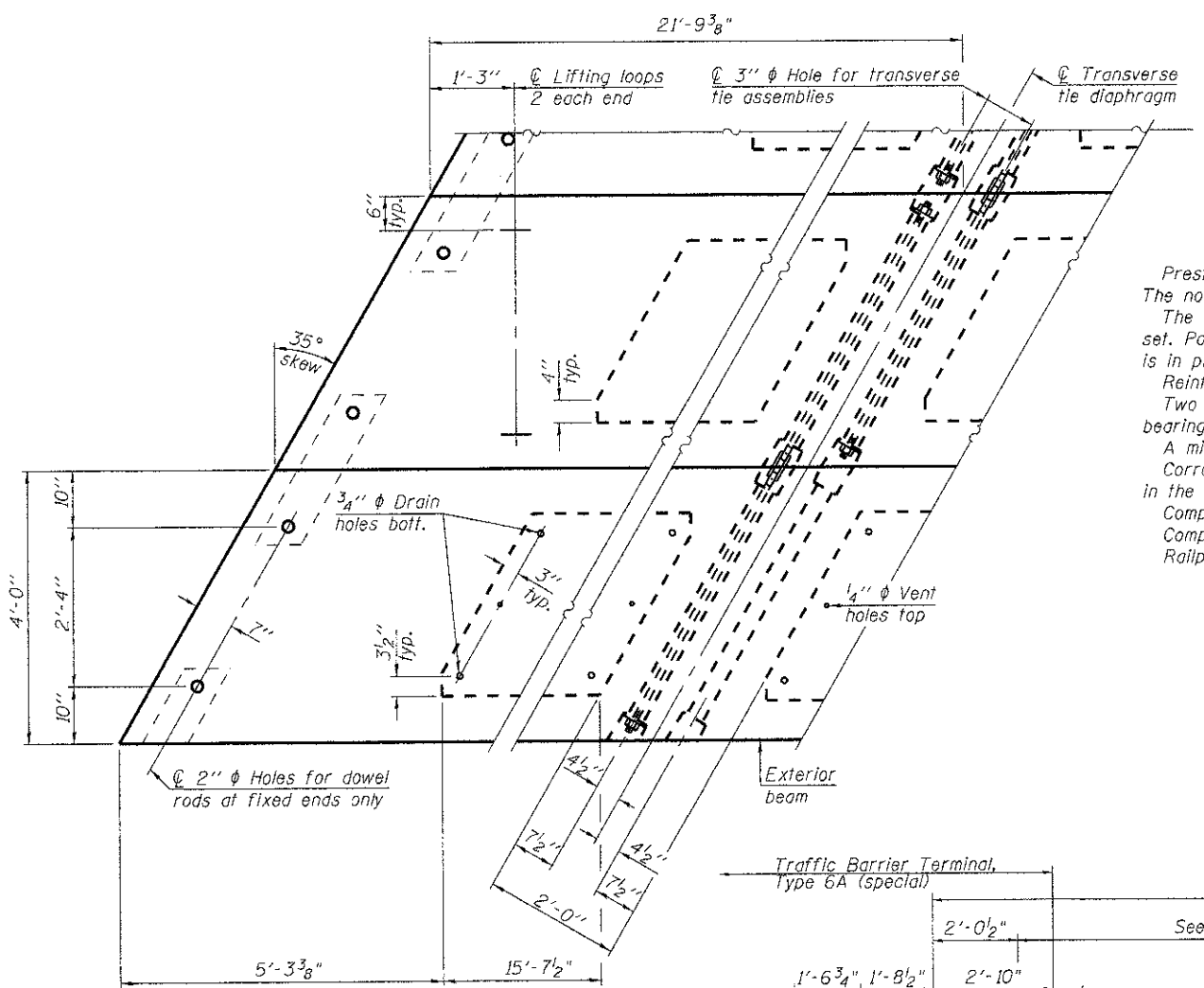
BAR S3(E)

BAR S4(E)



BAR U1(E)

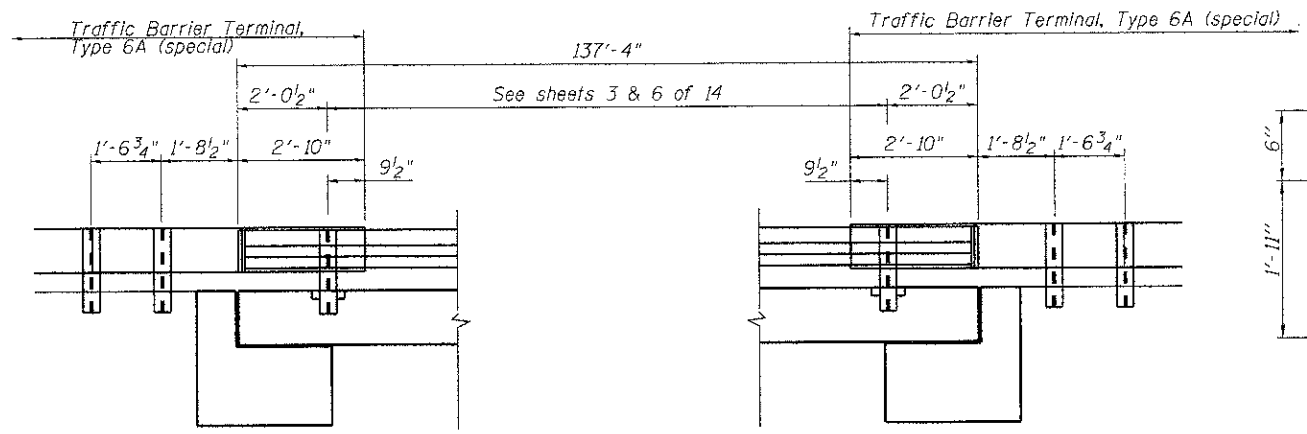
BAR U2(E)



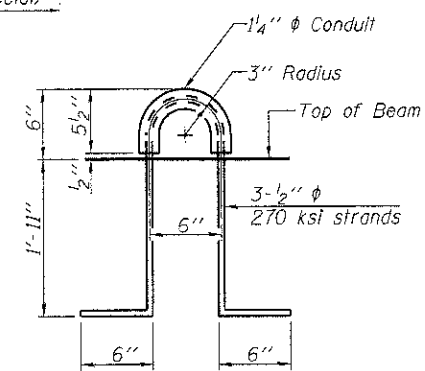
PLAN VIEW

NOTES
Prestressing steel shall be uncoated high strength, low relaxation 7-wire strand, Grade 270. The nominal diameter shall be 1/2" and the nominal cross-sectional area shall be 0.153 sq. in. The 1" diameter rods in the transverse tie assembly shall be tightened to a snug fit and the threads set. Pockets on exterior faces of bridge shall be filled with grout after transverse tie assembly is in place.
Reinforcement bars shall conform to ASTM A 706, Grade 60.
Two 1/8" fabric adjusting shims of the dimensions of the exterior bearing pad shall be provided for each bearing pad location.
A minimum 2 1/2" diameter lifting pin shall be used to engage the lifting loops during handling.
Corrosion Inhibitor, per Article 1020.05(b)(12) and 1021.06 of the Standard Specifications, shall be used in the concrete for precast prestressed concrete deck beams.
Compressive strength of prestressed concrete, f'c, shall be 6000 psi.
Compressive strength of prestressed concrete at release, f'ci, shall be 5000 psi.
Railpost anchor devices (Sht. 9 of 14) to be cast into exterior face of outside beams.

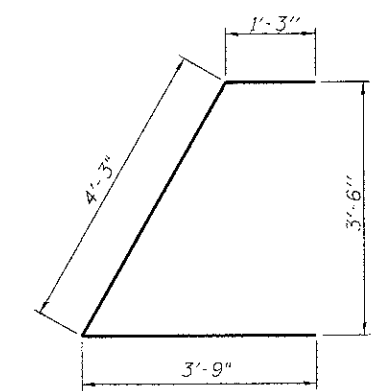
Note: Connect beams in pairs with the transverse tie configuration shown.



RAIL ELEVATION - STEEL RAILING, TYPE SM



LIFTING LOOP DETAIL



BAR U1(E)

BILL OF MATERIAL

Precast Prestressed Conc. Deck Bms. (27" depth)	Sq. Ft.	2440
---	---------	------

PD-2748-LD

7-1-10

USER NAME =	DESIGNED - KRG	REVISED -
PLOT SCALE = NONE	CHECKED - MJK	REVISED -
PLOT DATE =	DRAWN - GSJ	REVISED -
	CHECKED - MJK	REVISED -

MID-AMERICA ENGINEERING SERVICES
SPRINGFIELD ILLINOIS

27"x48" PPC DECK BEAM DETAILS SPANS 1 & 3
STRUCTURE NO 084-3414

SHEET NO. 4 OF 14 SHEETS

F.A.S. RTE. 624	SECTION 08-00085-00-BR	COUNTY SANGAMON	TOTAL SHEETS 32	SHEET NO. 13
STRUCTURE NO. 084-3414		CONTRACT NO. 93585		
STA. 122+30		ILLINOIS FED. AID PROJECT		