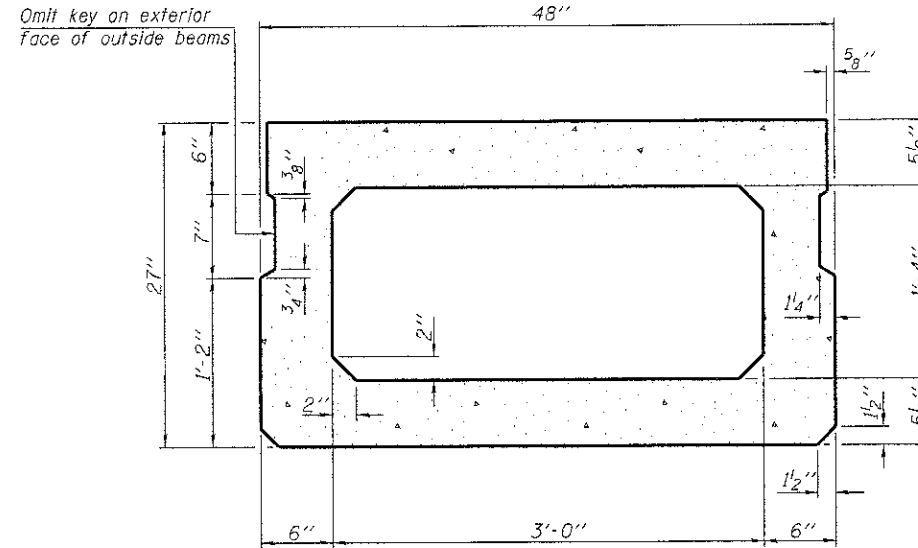
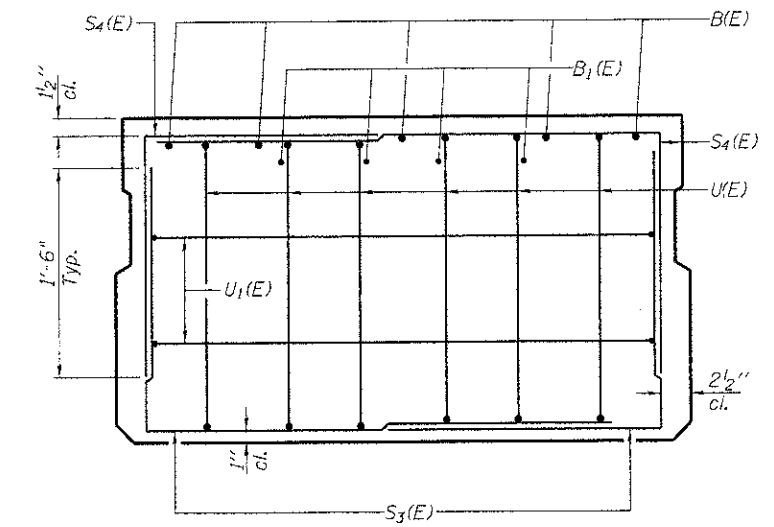


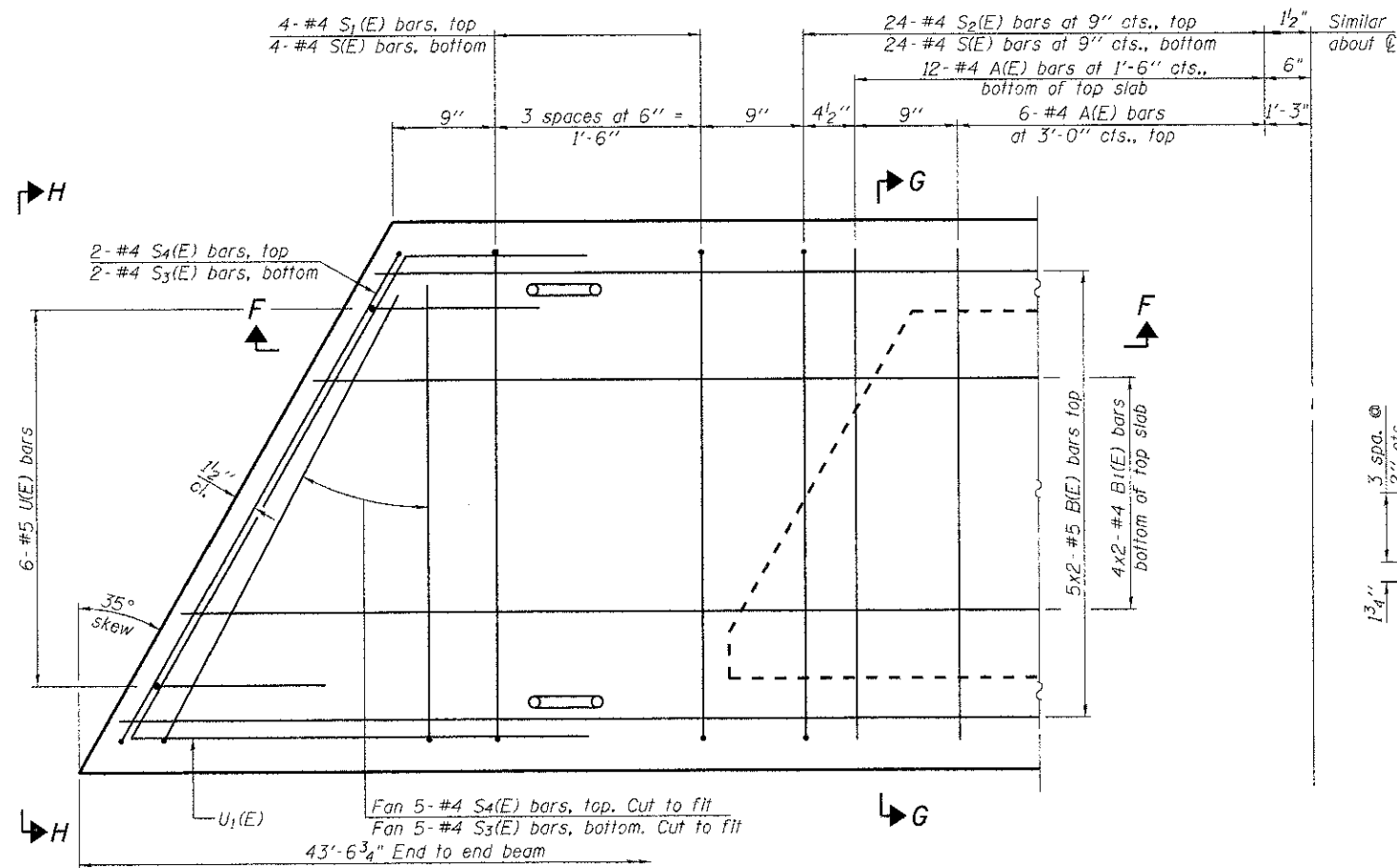
SECTION F-F



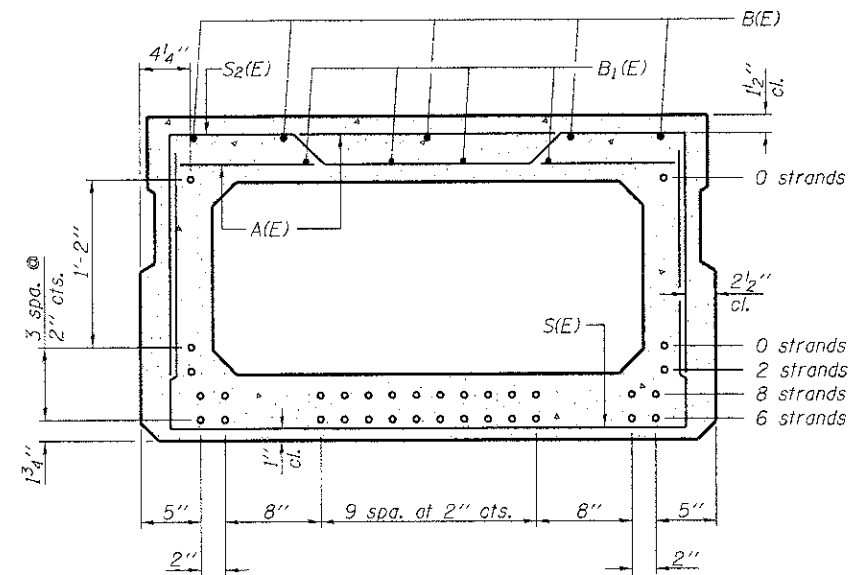
SECTION G-G
(Showing dimensions)



VIEW H-H



PLAN VIEW



SECTION G-G

(Showing reinforcement and permissible strand locations)

Note: Place the number of strands specified in each row symmetrically about the centerline of beam in the permissible strand locations shown.

BAR LIST
ONE BEAM ONLY

(For information only)

Bar	No.	Size	Length	Shape
A(E)	36	#4	3'-7"	—
B(E)	10	#5	23'-3"	—
B1(E)	8	#4	22'-10"	—
S(E)	56	#4	7'-5"	┌
S1(E)	8	#4	6'-11"	┌
S2(E)	48	#4	7'-2"	┌
S3(E)	14	#4	4'-11"	┌
S4(E)	14	#4	5'-0"	┌
U(E)	12	#5	4'-6"	┌
U1(E)	4	#4	9'-3"	┌

Note: See sheet 4 of 14 for additional details and Bill of Material.

Note: Spacing of S(E) and S2(E) bars may be adjusted up to 4" in the immediate area of the transverse tie diaphragms to miss the block outs for the transverse ties.

5x2-#5 etc. indicates 5 lines of bars with 2 lengths per line

MINIMUM BAR LAP

Unless noted otherwise

#4 bar = 2'-0"

#5 bar = 2'-6"

PD-2748-L

7-1-10

USER NAME =	DESIGNED - KRG	REVISED -
	CHECKED - MJK	REVISED -
PLOT SCALE = NONE	DRAWN - GSJ	REVISED -
PLOT DATE =	CHECKED - MJK	REVISED -

MID-AMERICA ENGINEERING SERVICES
SPRINGFIELD ILLINOIS

27"x48" PPC DECK BEAM SPANS 1 & 3
STRUCTURE NO 084-3414

SHEET NO. 5 OF 14 SHEETS

F.A.S. RTE. 624	SECTION 08-00085-00-BR	COUNTY SANGAMON	TOTAL SHEETS 32	SHEET NO. 14
STRUCTURE NO. 084-3414		CONTRACT NO. 93585		
STA. 122+30 ILLINOIS FED. AID PROJECT				