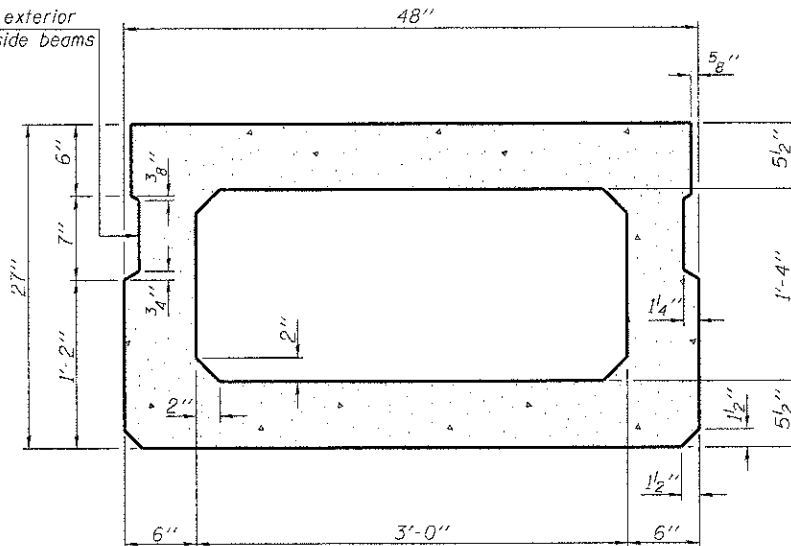
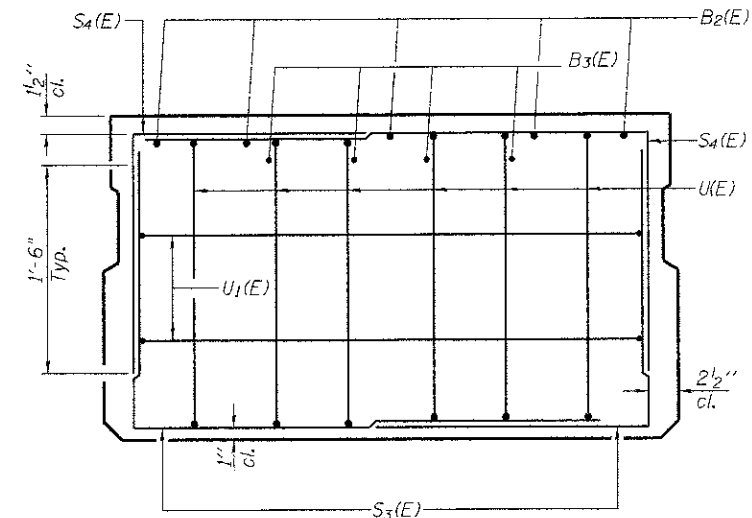


SECTION F1-F1

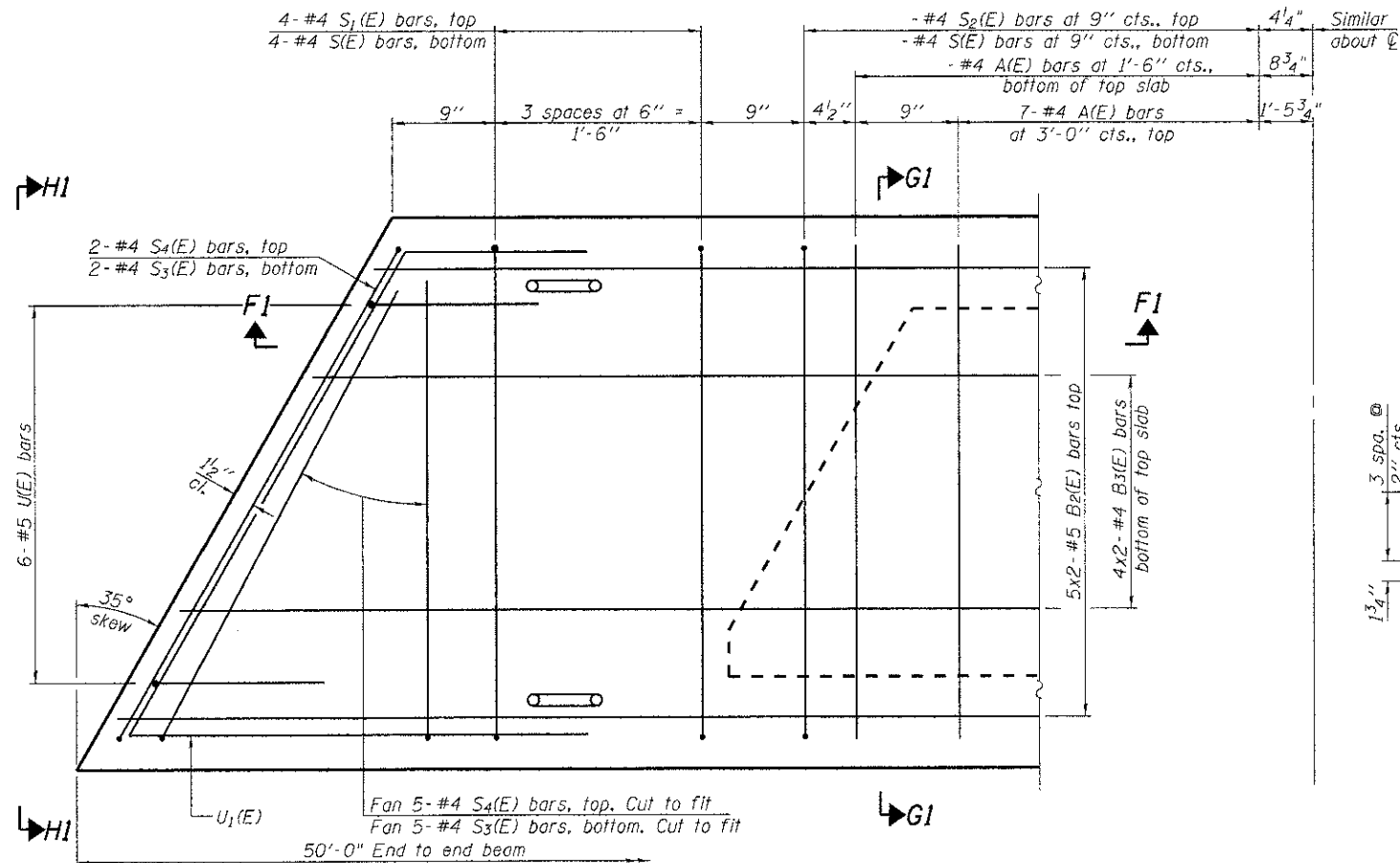
Omit key on exterior face of outside beams



SECTION G1-G1
(Showing dimensions)



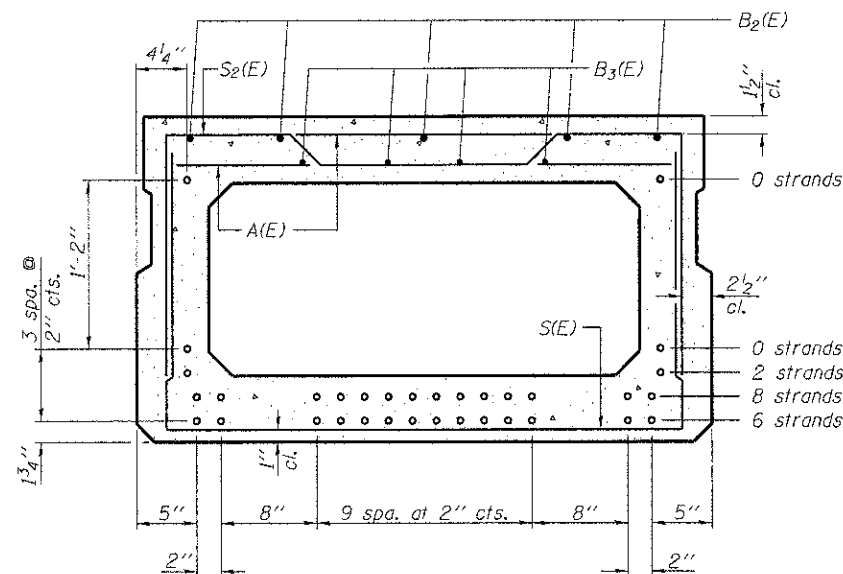
VIEW H1-H1



PLAN VIEW

Note: Spacing of S1(E) and S2(E) bars may be adjusted up to 4" in the immediate area of the transverse tie diaphragms to miss the block outs for the transverse ties.

5x2-#5 etc. indicates 5 lines of bars with 2 lengths per line



SECTION G1-G1

(Showing reinforcement and permissible strand locations)

Note: Place the number of strands specified in each row symmetrically about the centerline of beam in the permissible strand locations shown.

BAR LIST
ONE BEAM ONLY

(For information only)

Bar	No.	Size	Length	Shape
A(E)	42	#4	3'-7"	—
B2(E)	10	#5	26'-4"	—
B3(E)	8	#4	26'-0"	—
S(E)	64	#4	7'-5"	U
S1(E)	8	#4	6'-11"	U
S2(E)	56	#4	7'-2"	U
S3(E)	14	#4	4'-11"	U
S4(E)	14	#4	5'-0"	U
U1(E)	12	#5	4'-6"	U
U1(E)	4	#4	9'-3"	U

Note: See sheet 7 of 14 for additional details and Bill of Material.

MINIMUM BAR LAP

Unless noted otherwise
#4 bar = 2'-0"
#5 bar = 2'-6"

PD-2748-L

7-1-10

USER NAME =	DESIGNED - KRG	REVISED ---
	CHECKED - MJK	REVISED ---
PLOT SCALE = NONE	DRAWN - GJG	REVISED ---
PLOT DATE =	CHECKED - MJK	REVISED ---

MID-AMERICA ENGINEERING SERVICES
SPRINGFIELD ILLINOIS

27" x 48" PPC DECK BEAM SPAN 2
STRUCTURE NO.084-3414

SHEET NO. 8 OF 14 SHEETS

F.A.S. RTE.	SECTION	COUNTY	TOTAL SHEETS	SHEET NO.
624	08-00085-00-BR	SANGAMON	32	17
STRUCTURE NO. 084-3414		CONTRACT NO. 93585		
STA. 122+30		ILLINOIS FED. AID PROJECT		