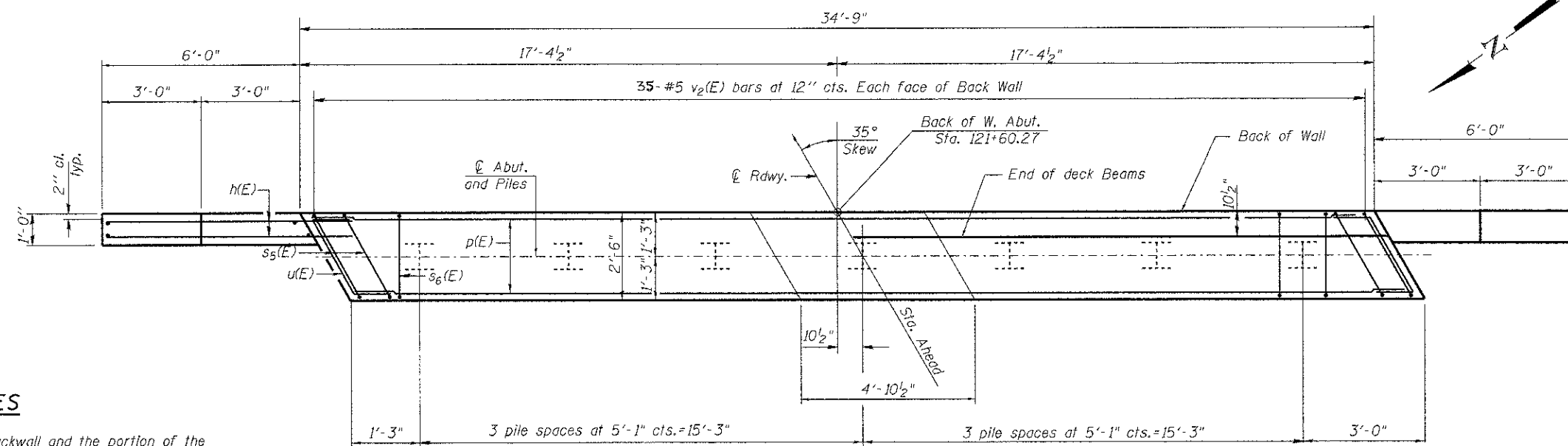


ELEVATION

BILL OF MATERIAL

Bar	No.	Size	Length	Shape
h (E)	16	#5	8'-0"	—
h1(E)	12	#5	8'-3"	—
h2(E)	12	#5	18'-3"	—
p (E)	8	#7	34'-5"	—
p1(E)	8	#5	18'-3"	—
s5(E)	4	#5	12'-6"	□
s6(E)	32	#5	11'-8"	□
u (E)	8	#6	11'-6"	□
v (E)	14	#5	5'-9"	—
v1(E)	8	#5	10'-0"	—
v2(E)	70	#5	3'-10"	—
Concrete Structures		Cu .Yd.	16.9	
Reinforcement Bars, Epoxycoated		Per.	2210	
Furnishing Steel Piles HP12x74		Foot	259	
Stud Shear Connectors		Ea.	14	
Concrete encasement		Cu .Yd.	2.4	



PLAN

NOTES

The Backwall and the portion of the Wingwalls above the construction joint shall be cast against the in-place beam.

Space reinforcement in cap to miss dowel rods.

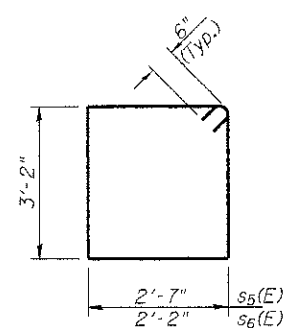
For pile details and concrete encasement see sheet 13 of 14.

Bars indicated thus 3x2-#5 etc. indicate 3 bars @ 2lengths per line

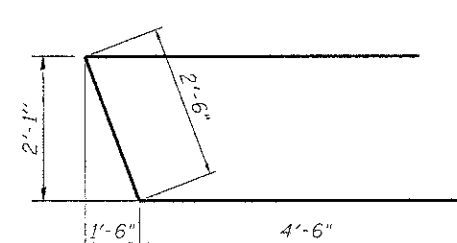
MIN. BAR LAP

(unless notes otherwise)

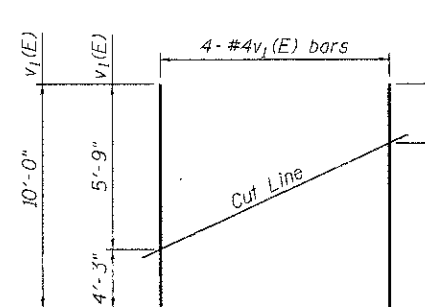
#5 Bars = 1'-8"



BARS s5(E) & s6(E)

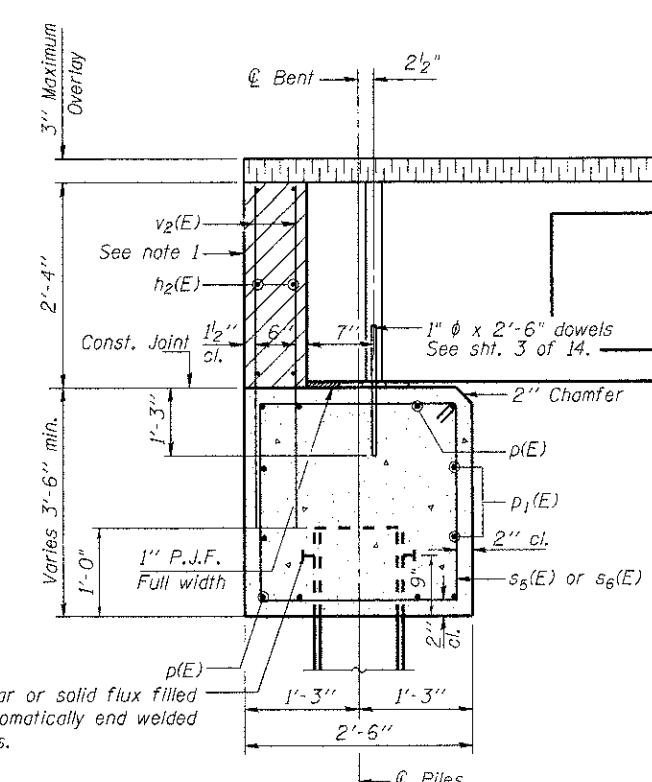


BAR u



FIELD CUTTING DIAGRAM

Order v1(E) full length. Cut as shown and use remainder of bars in opposite face.



SECTION THRU ABUTMENT

(At Right Angles)

3/4" x 4" Granular or solid flux filled headed studs automatically end welded to flange 2 studs.

PILE DATA

Type & Size: Steel-HP 12x74
 Nominal Required Bearing: 589 Kips
 Factored Resistance Available = 185 Kips
 Estimated Pile length = 37'
 No. of production piles = 7

USER NAME *	DESIGNED - KRD	REVISIONS
	CHECKED - MJK	REVISIONS
PLOT SCALE = NONE	DRAWN - GSJ	REVISIONS
PLOT DATE *	CHECKED - MJK	REVISIONS

MID-AMERICA ENGINEERING SERVICES
 SPRINGFIELD ILLINOIS

EAST ABUTMENT
 STRUCTURE NO 084-3414

SHEET NO. 11 OF 14 SHEETS

F.A.S. RTE.	SECTION	COUNTY	TOTAL SHEETS	SHEET NO.
624	08-00085-00-BR	SANGAMON	32	20
	STRUCTURE NO. 084-3414	CONTRACT NO. 03585		
	STA. 122+30	ILLINOIS FED. AID PROJECT		