

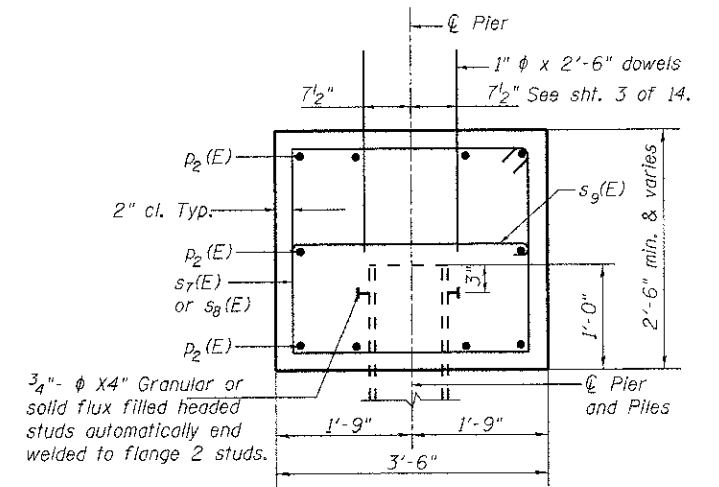
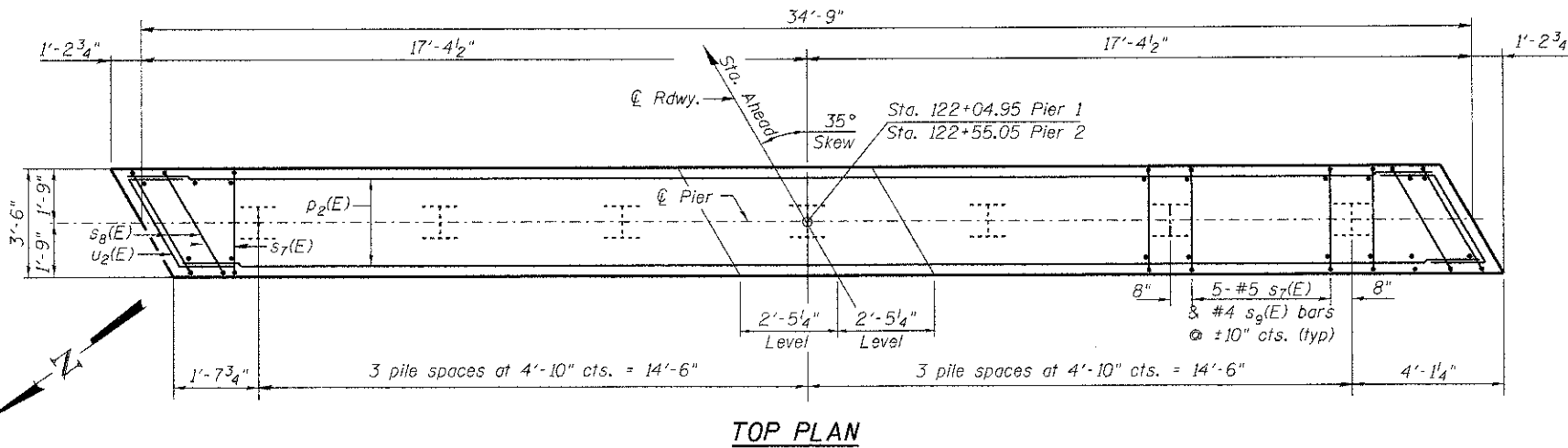
Notes:
For details of piles, see sheet 13 of 14.
Space reinforcement in cap to miss dowel rods.

PILE DATA

Type & Size: Steel-HP 12x74
Nominal Required Bearing: 589 Kips
Factored resistance available = 253 Kips
Estimated Pile length = 37' Pier 1; 37' Pier 2
No. of production piles = 13 @ piers 1 & 2
No. of Test Piles = 1 @ pier 2

MIN BAR LAP

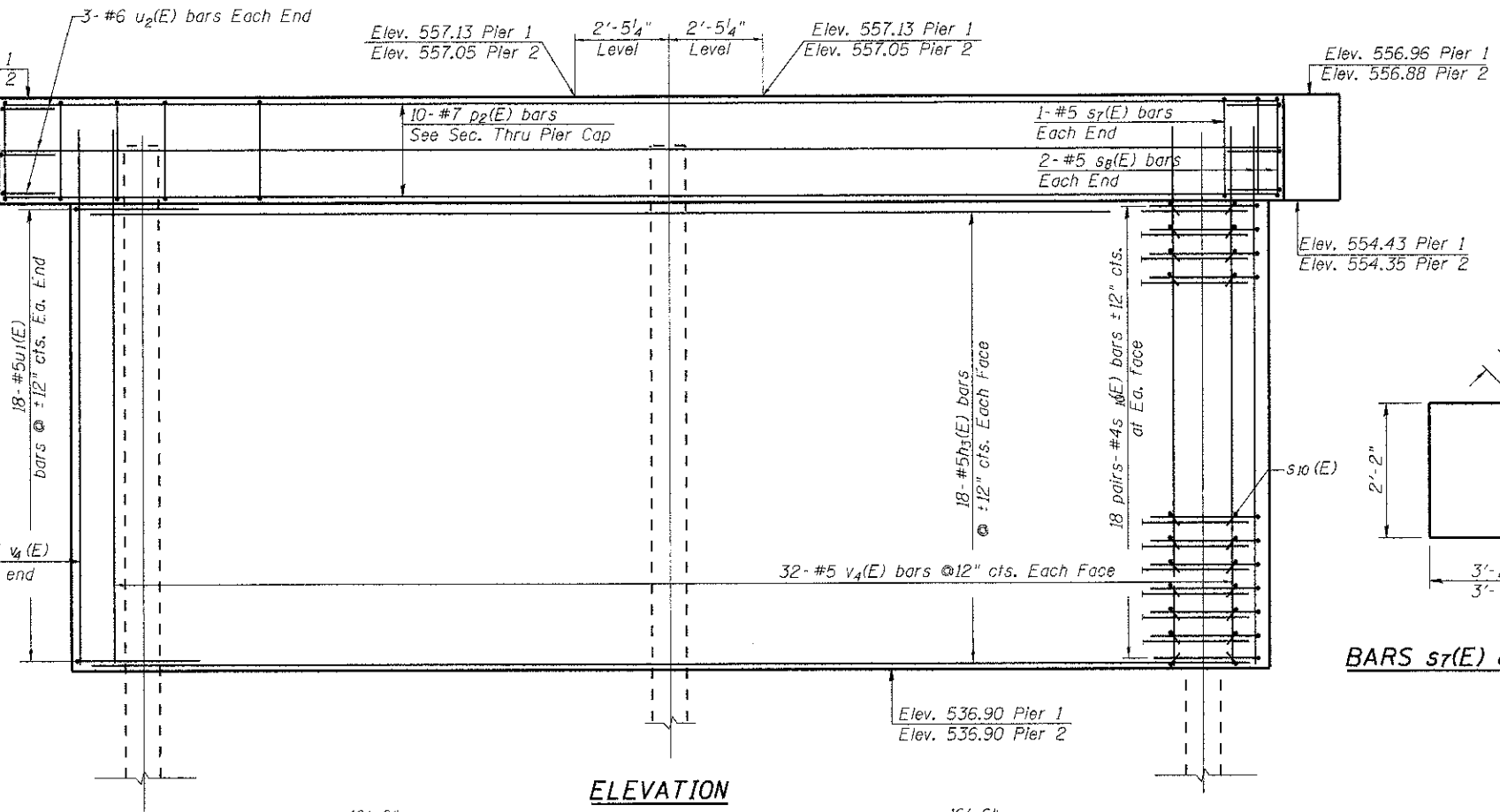
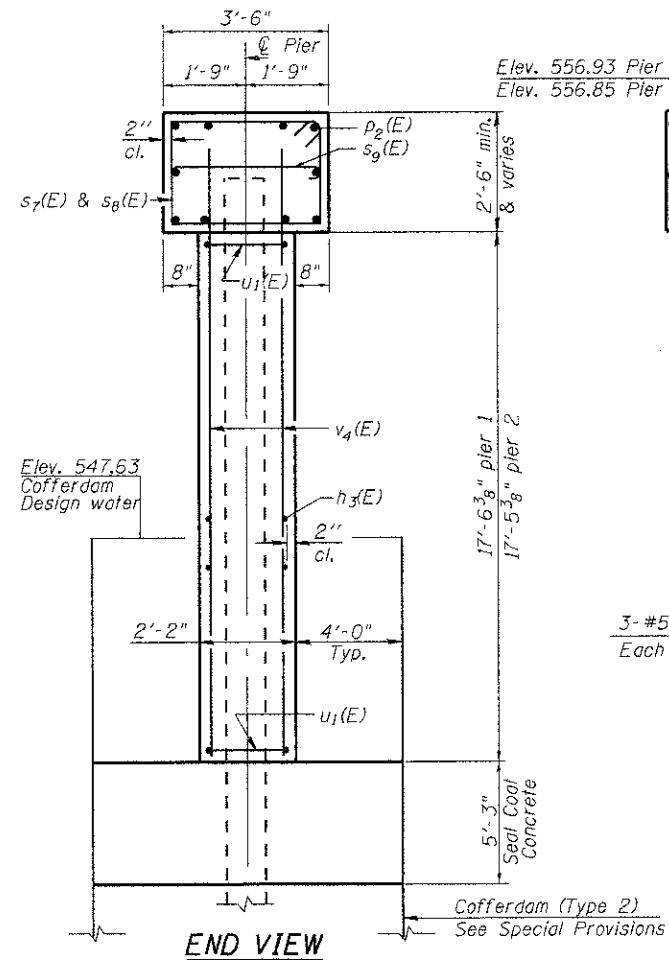
5 Bar = 1'-8"



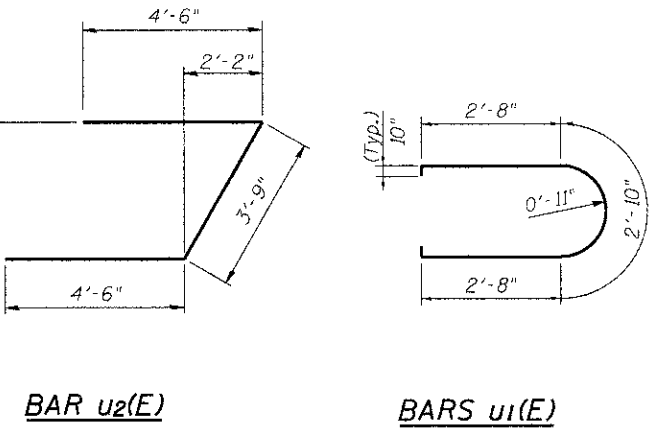
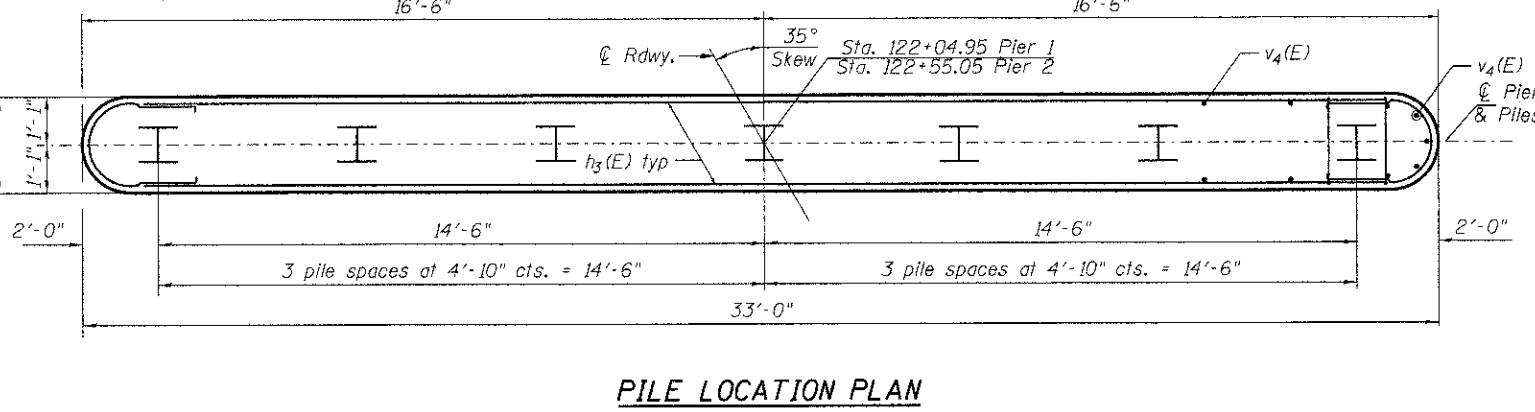
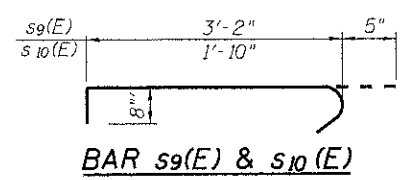
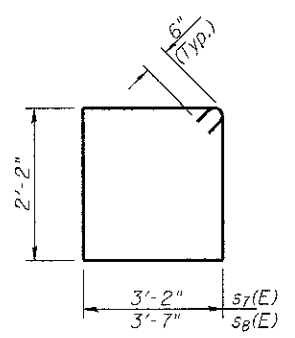
SECTION THRU PIER CAP

TWO PIERS BILL OF MATERIAL

Bar	No.	Size	Length	Shape
$h_3(E)$	72	#5	30'-0"	—
$p_2(E)$	20	#7	34'-5"	—
$s_7(E)$	64	#5	11'-8"	□
$s_8(E)$	8	#5	12'-6"	□
$s_9(E)$	64	#4	4'-3"	↔
$s_{10}(E)$	504	#4	2'-11"	↔
$u_1(E)$	72	#5	9'-10"	↔
$u_2(E)$	12	#6	12'-9"	↔
$v_4(E)$	140	#5	19'-8"	—
Concrete Structures		Cu. Yd.	112.4	
Reinforcement Bars, Epoxy Coated		Pound	9550	
Furnishing Steel Piles HP12x74		Foot	481	
Test pile Steel HP12x74		Ea.	1	
Stud Shear Connectors		Ea.	28	
Cofferdam Excavation		Cu. Yd.	240	
Cofferdam (Type 2) Location 1 (Pier 1)		Each	1	
Cofferdam (Type 2) Location 2 (Pier 2)		Each	1	
Seal Coat Concrete		Cu. Yd.	163	



BARS $s_7(E)$ & $s_8(E)$



USER NAME =	DESIGNED - KRG	REVISED ---	MID-AMERICA ENGINEERING SERVICES SPRINGFIELD ILLINOIS	PIERS 1 AND 2 STRUCTURE NO 084-3414	F.A.S. RTE. 624	SECTION 08-00085-00-BR	COUNTY SANGAMON	TOTAL SHEETS 32	SHEET NO. 21
PLOT SCALE = NONE	CHECKED - MJK	REVISED ---			STRUCTURE NO. 084-3414	CONTRACT NO. 93-58-5			
PLOT DATE =	DRAWN - GSJ	REVISED ---			STA. 122+30	ILLINOIS FED. AID PROJECT			
	CHECKED - MJK	REVISED ---			SHEET NO. 12 OF 14 SHEETS				