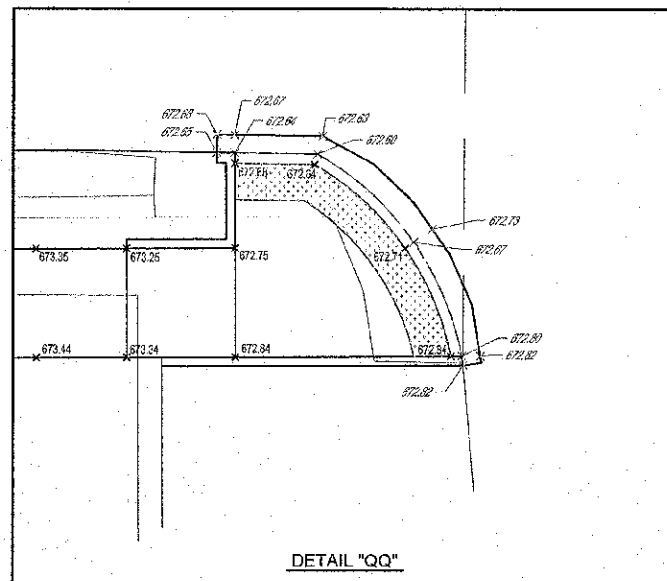
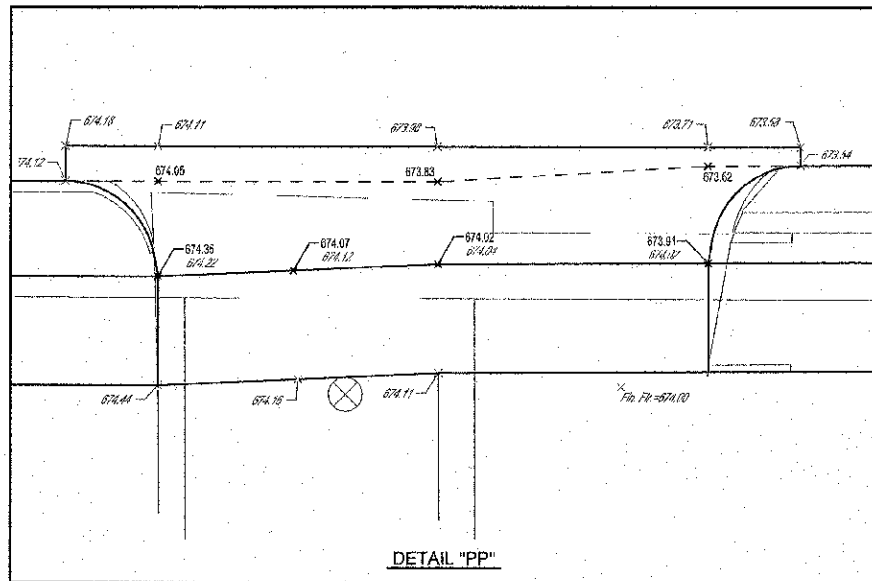
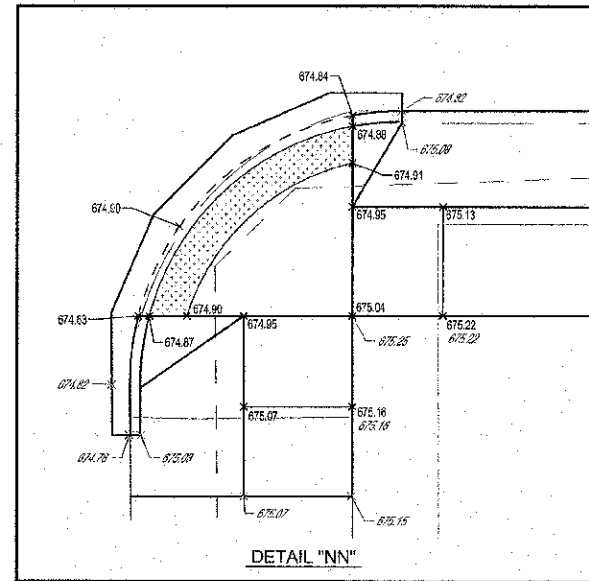
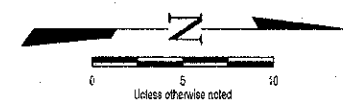
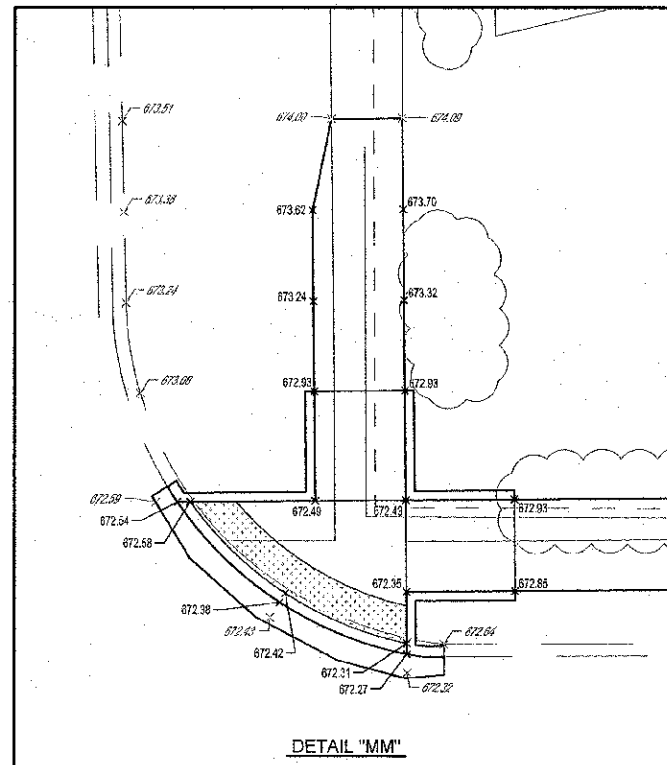
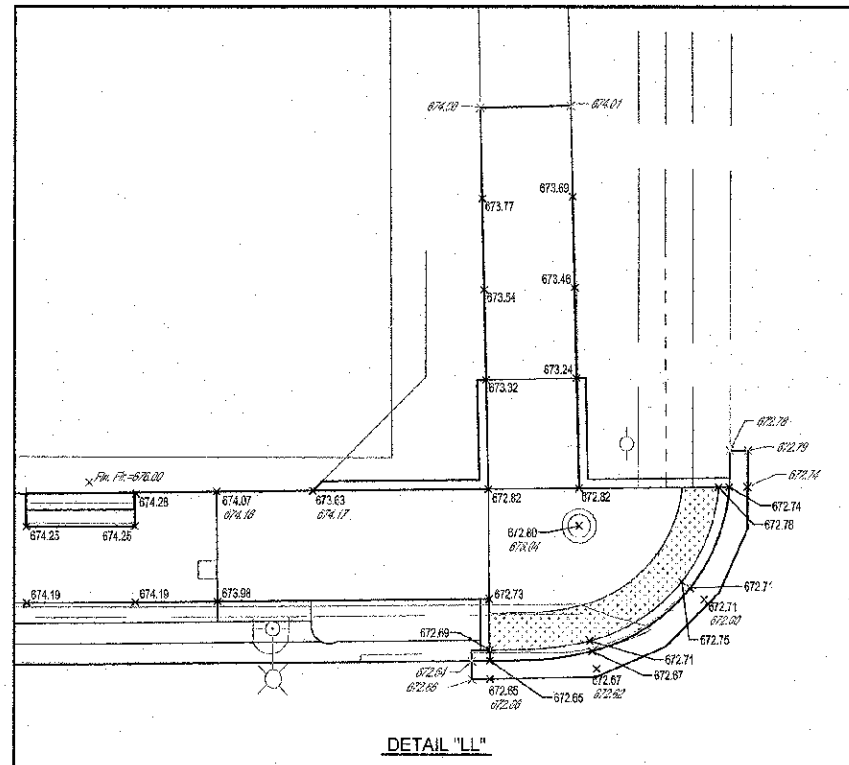
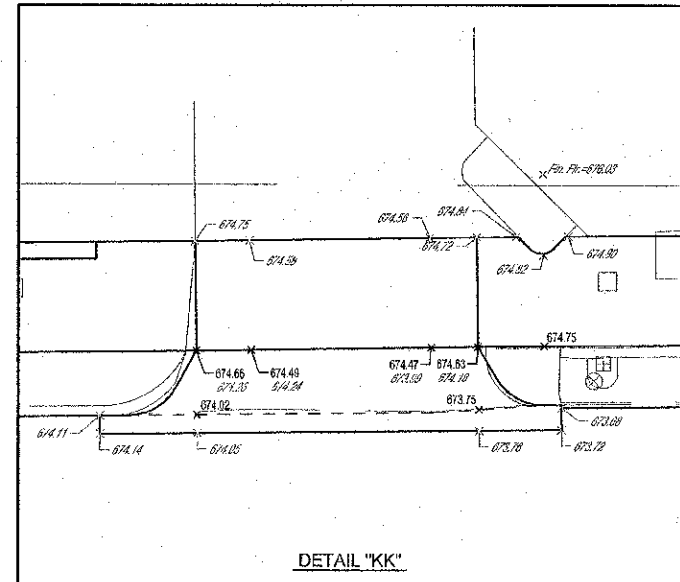


ROUTE NO.	SUBSECTION	COUNTY	TOTAL SHEETS	SHEET NO.
1140003-D-5W		MOULTRIE	44	29
FED. ROAD DIST. NO. 7		ILLINOIS	FED. AID PROJECT	
CONTRACT #95696				



- SIDEWALK CONSTRUCTION NOTES:**
1. SIDEWALK THAT HAS A RUNNING GRADE BETWEEN 5% (20:1) AND 8.33% (12:1) SHALL BE TEXTURED TO CREATE A NON-SLIP SURFACE.
  2. CROSS SLOPE ON SIDEWALK SHALL NOT EXCEED 1.50%.
  3. NO SIDEWALK SHALL HAVE A RUNNING GRADE EXCEEDING 8.33% (12:1).
  4. EXPANSION JOINT MATERIAL SHALL BE PLACED ALONG THE EXISTING BUILDINGS AND FOUNDATIONS ADJACENT AND FULL DEPTH TO THE P.C.C. SIDEWALK 4 INCH.

**MILANO & GRUM, OH ENGINEERS, LLC**  
 114 WEST WASHINGTON  
 P.O. BOX 189  
 EFFINGHAM, ILLINOIS 62401  
 Phone: (217) 247-3282  
 Fax #: (217) 247-2714  
 Web Address: www.mgoh.com  
 Distinguished: 194-001708

File name: S:\DWG\1010295\cwgj\Sidewalk.dwg  
 Plot date: 11/06/12 at 16:10 F.B. 829,670,371

SIDEWALK PLAN  
 MAIN STREET  
 CITY OF SULLIVAN, ILLINOIS