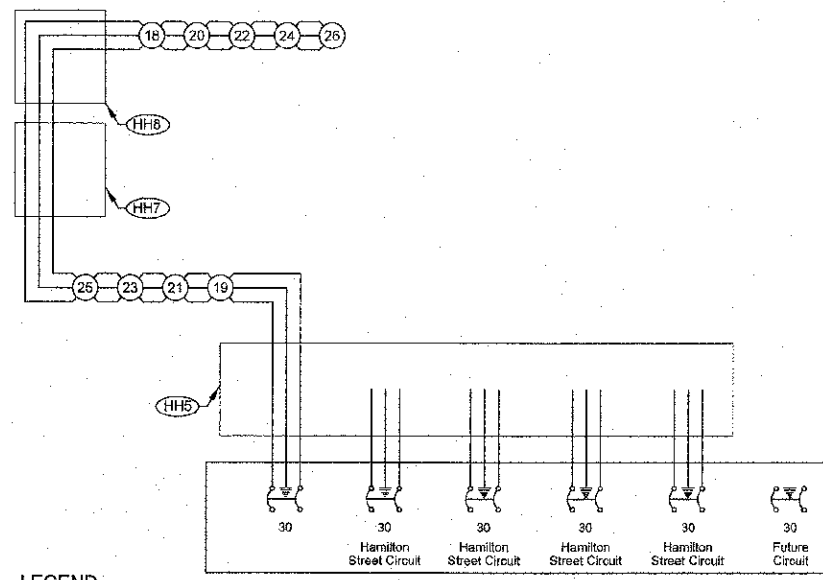


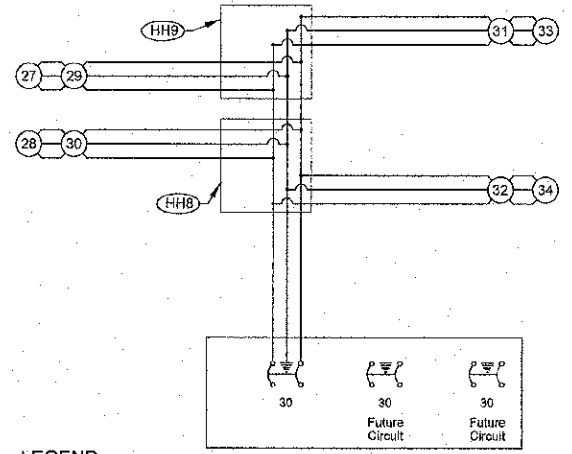
| ROUTE NO.             | SECTION        | COUNTY           | TOTAL SHEETS | SHEET NO. |
|-----------------------|----------------|------------------|--------------|-----------|
|                       | 11-00033-00-SW | MOULTRIE         | 44           | 38        |
| FED. ROAD DIST. NO. * | ILLINOIS       | FED. AID PROJECT |              |           |

CONTRACT #95696



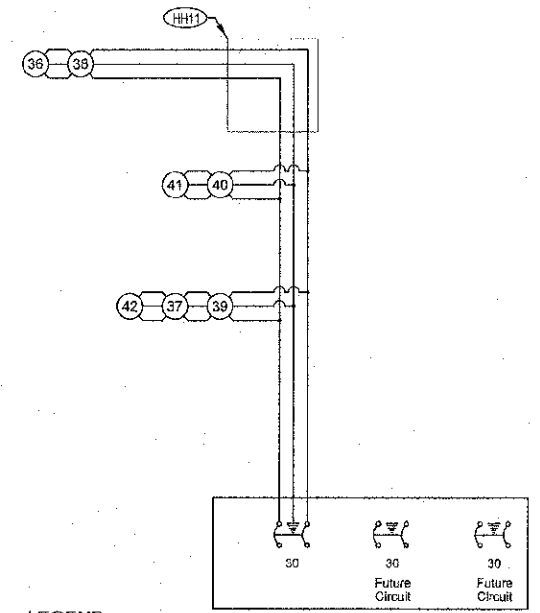
**LEGEND**  
 (#) PROPOSED LIGHT ASSEMBLY  
 (CB) CIRCUIT BREAKER  
 30 CIRCUIT AMPERAGE

**PROPOSED**  
 LIGHTING CONTROLLER CP2  
 w/PHOTO CELL  
**WIRING DIAGRAM**  
 JEFFERSON STREET



**LEGEND**  
 (#) PROPOSED LIGHT ASSEMBLY  
 (CB) CIRCUIT BREAKER  
 30 CIRCUIT AMPERAGE

**PROPOSED**  
 LIGHTING CONTROLLER CP3  
 w/PHOTO CELL  
**WIRING DIAGRAM**  
 HARRISON STREET



**LEGEND**  
 (#) PROPOSED LIGHT ASSEMBLY  
 (CB) CIRCUIT BREAKER  
 30 CIRCUIT AMPERAGE

**PROPOSED**  
 LIGHTING CONTROLLER CP4  
 w/PHOTO CELL  
**WIRING DIAGRAM**  
 MAIN STREET

|  |   |   |
|--|---|---|
|  | MILANO & GRANLOH ENGINEERS, LLC<br>114 WEST WASHINGTON<br>P.O. BOX 637<br>EFFINGHAM, ILLINOIS 62401<br>Phone: (217) 347-7200<br>Fax #: (217) 347-2714<br>Web Address: www.mgengineers.com<br>Design Firm #: 284-003-028 | <b>LIGHTING SCHEMATICS</b><br>SIDEWALK ENHANCEMENT<br>CITY OF SULLIVAN<br>SECTION 11-00033-00-SW<br>MOULTRIE COUNTY, ILLINOIS |
|  | File name: S:\DWG\11010295\dwg\Lighting Detail.dwg  |   |
|  | Plot date: 11/06/12 at 16:20  |   |
|  | E.S. XXX  |   |