

**THOUVENOT, WADE & MOERCHEN, INC.**  
ENGINEERS • SURVEYORS • PLANNERS



- CORPORATE OFFICE**  
4940 OLD COLLINSVILLE RD.  
SHANSEA, ILLINOIS 62226  
TEL (618) 624-4488  
FAX (618) 624-6888  
corp@twm-inc.com
- WATERLOO OFFICE**  
113 SOUTH MAIN STREET  
WATERLOO, ILLINOIS 62298  
TEL (618) 939-5050  
FAX (618) 939-3938  
waterloo@twm-inc.com
- EDWARDSVILLE OFFICE**  
1015B CENTURY DRIVE  
EDWARDSVILLE, ILLINOIS 62025  
TEL (618) 656-4040  
FAX (618) 656-4343  
edwardsville@twm-inc.com
- ST. CHARLES OFFICE**  
400 N. 5TH STREET, SUITE 101  
ST. CHARLES, MISSOURI 63301  
TEL (636) 724-8300  
FAX (636) 724-8304  
stlouis@twm-inc.com

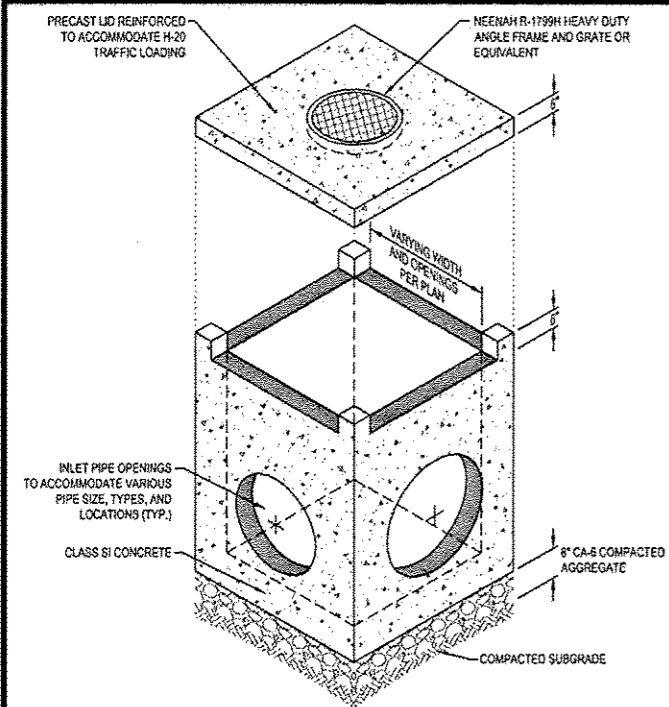
PROFESSIONAL REGISTRATIONS	LICENSE NO.
ILLINOIS PROFESSIONAL DESIGN FIRM	164-001230
PROFESSIONAL ENGINEERING CORP.	67-053370
PROFESSIONAL STRUCTURAL ENGR. CORP.	61-055202
ILLINOIS PROF. LAND SURVEYING CORP.	048-000029
MISSOURI PROFESSIONAL ENGR. CORP.	NO 001508
MISSOURI LAND SURVEYING CORP.	NO 000346

Signature: \_\_\_\_\_  
 Signature Date: \_\_\_\_\_  
 Expiration Date: \_\_\_\_\_  
**STATEMENT OF RESPONSIBILITY**  
 I hereby confirm that the document herein to be authorized by my seal is restricted to this sheet, and I hereby disclaim any responsibility for all other drawings, specifications, estimates, reports or other documents or instruments relating to or intended to be utilized for any other part of the architectural, engineering or survey project.

TITLE: SECTION 10-00023-00-SW  
DETAIL SHEETS  
 PROJECT: SAFE ROUTES TO SCHOOL  
SIDEWALK IMPROVEMENTS  
VILLAGE OF FREEBURG  
ST. CLAIR COUNTY, ILLINOIS

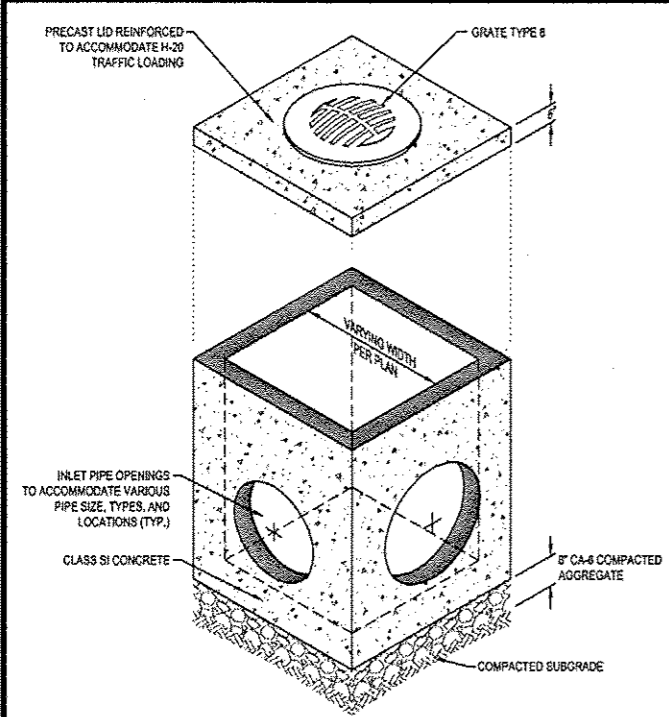
REV	DATE	DESCRIPTION

DRAWN BY: LEM	SHEET 14
DESIGNED BY: MJM	OF 17 SHEETS
CHECKED BY:	PROJECT DESCRIPTION: DETAIL SHEET
APPROVED BY:	PROJECT NUMBER: D01100115
<input checked="" type="checkbox"/> ISSUED FOR REVIEW <input type="checkbox"/> ISSUED FOR BIDDING <input type="checkbox"/> ISSUED FOR CONSTR. <input type="checkbox"/> RECORD DRAWING	



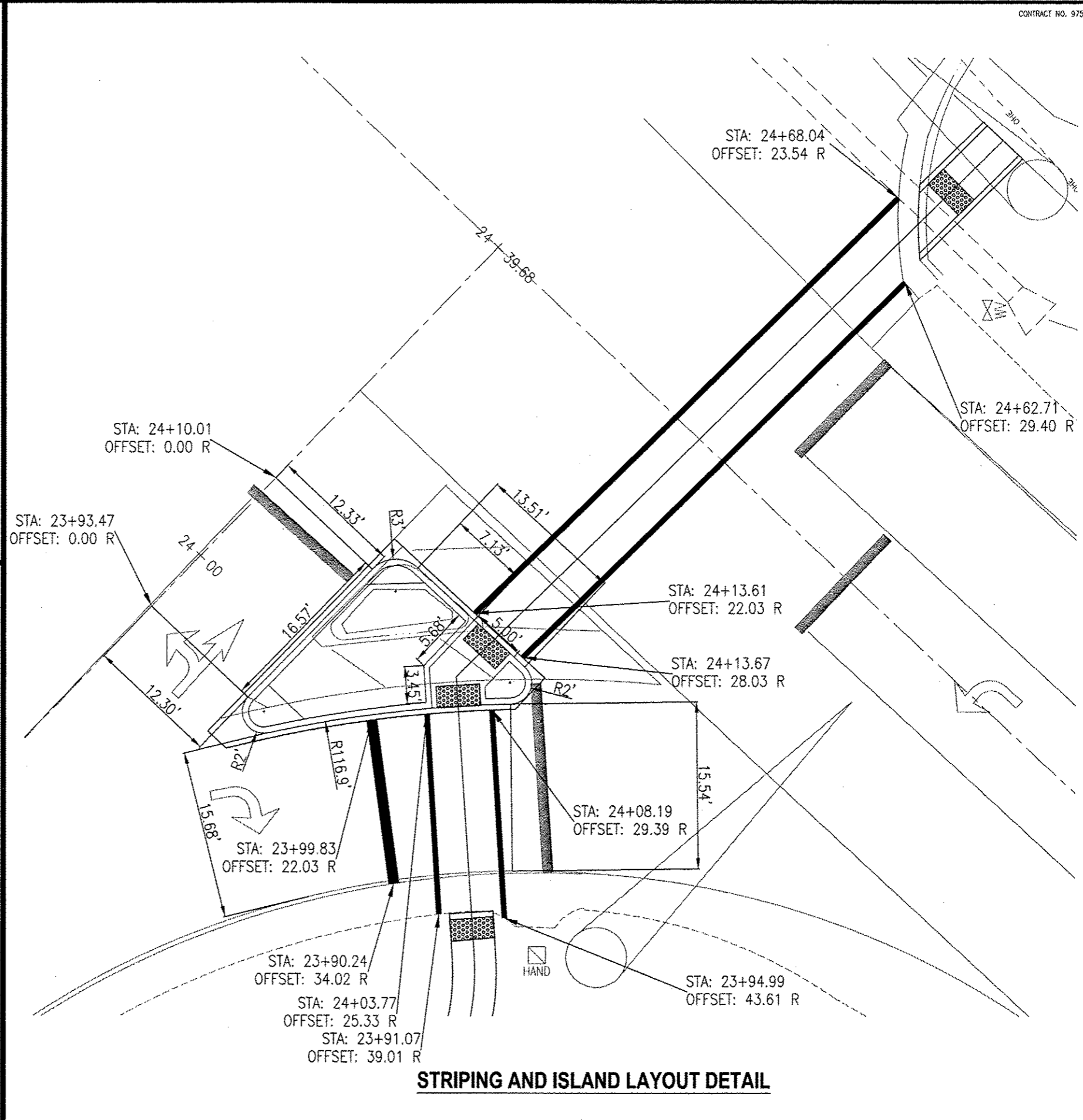
- NOTES:
1. PRECAST OPEN THROAT INLETS SHALL CONFORM TO ASTM C-478
  2. CONTRACTOR TO SUBMIT SHOP DRAWINGS FOR ALL STORM SEWER STRUCTURES
  3. MINIMUM INSIDE DIMENSION OF OPEN THROAT INLETS SHALL BE 3' X 3'.
  4. ALL INLETS SHALL HAVE A MINIMUM OF 6" BETWEEN OUTSIDE OF PIPE AND ADJACENT WALL OF STRUCTURE.
  5. STORM SEWER PIPE TO BE SEALED WITH NON-SHRINK GROUT AT PIPE/INLET INTERFACE.

**INLET SPECIAL NO. 1**



- NOTES:
1. PRECAST OPEN THROAT INLETS SHALL CONFORM TO ASTM C-478
  2. CONTRACTOR TO SUBMIT SHOP DRAWINGS FOR ALL STORM SEWER STRUCTURES
  3. ALL INLETS SHALL HAVE A MINIMUM OF 6" BETWEEN OUTSIDE OF PIPE AND ADJACENT WALL OF STRUCTURE.
  4. STORM SEWER PIPE TO BE SEALED WITH NON-SHRINK GROUT AT PIPE/INLET INTERFACE.

**INLET SPECIAL NO. 2**



**STRIPING AND ISLAND LAYOUT DETAIL**

\\TWMSWST\Projects\00115\Draw\00115-015-02.dwg 2/23/2012 12:15:20 PM CST