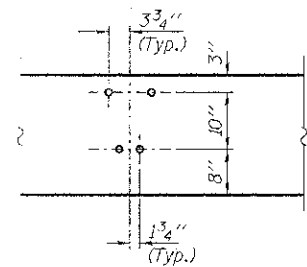
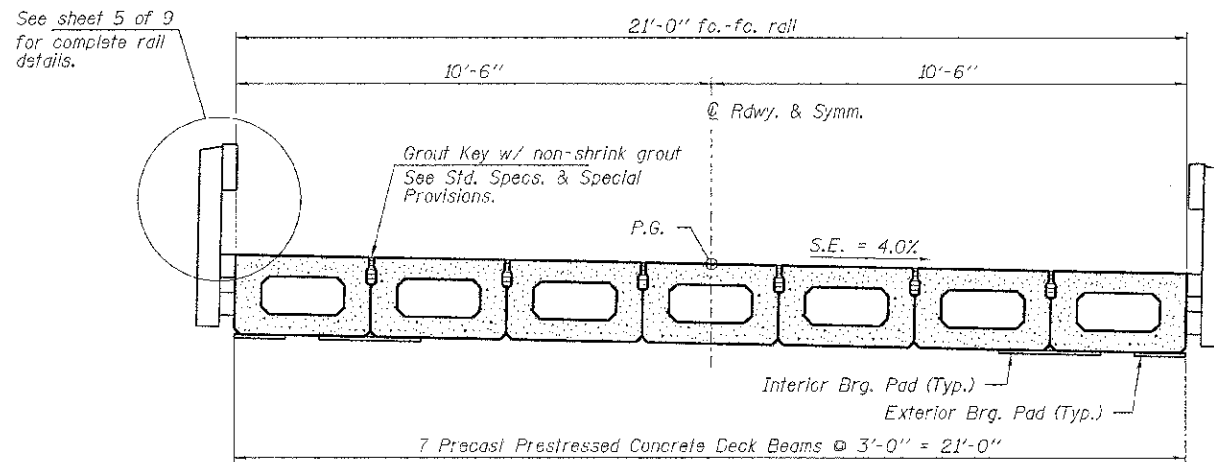


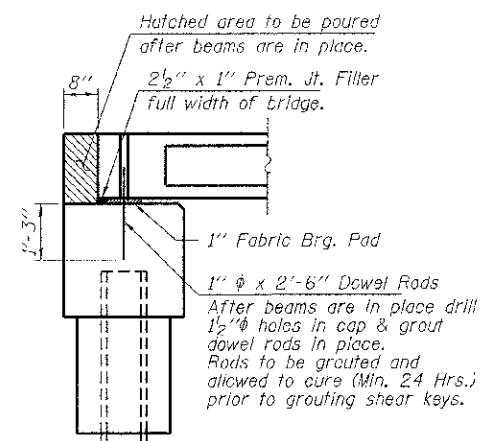
**ELEVATION**  
Showing Rail Post Spacing  
See sheet 5 of 9 for Railing Details.



**DETAIL A**



**CROSS SECTION**  
See sheets 2 & 3 of 9 for Superstructure.



**SECTION AT ABUTMENTS**  
@ Rt. L's

FILE NAME = 110130-sh-tr-bridge.dgn	USER NAME =	DESIGNED - J.W.F.	REVISED -	<b>STATE OF ILLINOIS JOHNSON COUNTY HIGHWAY DEPARTMENT</b>	<b>SUPERSTRUCTURE DETAILS STRUCTURE NO. 044-3134</b>	T.R.	SECTION	COUNTY	TOTAL SHEET	
<b>HAMPTON, LENZINI AND RENWICK, INC.</b> 3001 STEUBEN RD. SUITE 201 SPRINGFIELD, ILLINOIS 62760	PLLOT SCALE =	CHECKED - S.W.M.	REVISED -			85	10-01218-00-BR	JOHNSON	19	14
<b>HLR</b> ILLINOIS PROFESSIONAL DESIGN FIRM L.S./P.E./S.E. CORP. 164.00289	PLLOT DATE = 10/29/2012	DRAWN - D.A.B.	REVISED -			COUNTY UNIT ROAD DISTRICT		CONTRACT NO. 99476		
		CHECKED - M.G.B.	REVISED -			SHEET NO. 4 OF 9 SHEETS		ILLINOIS FED. AID PROJECT		