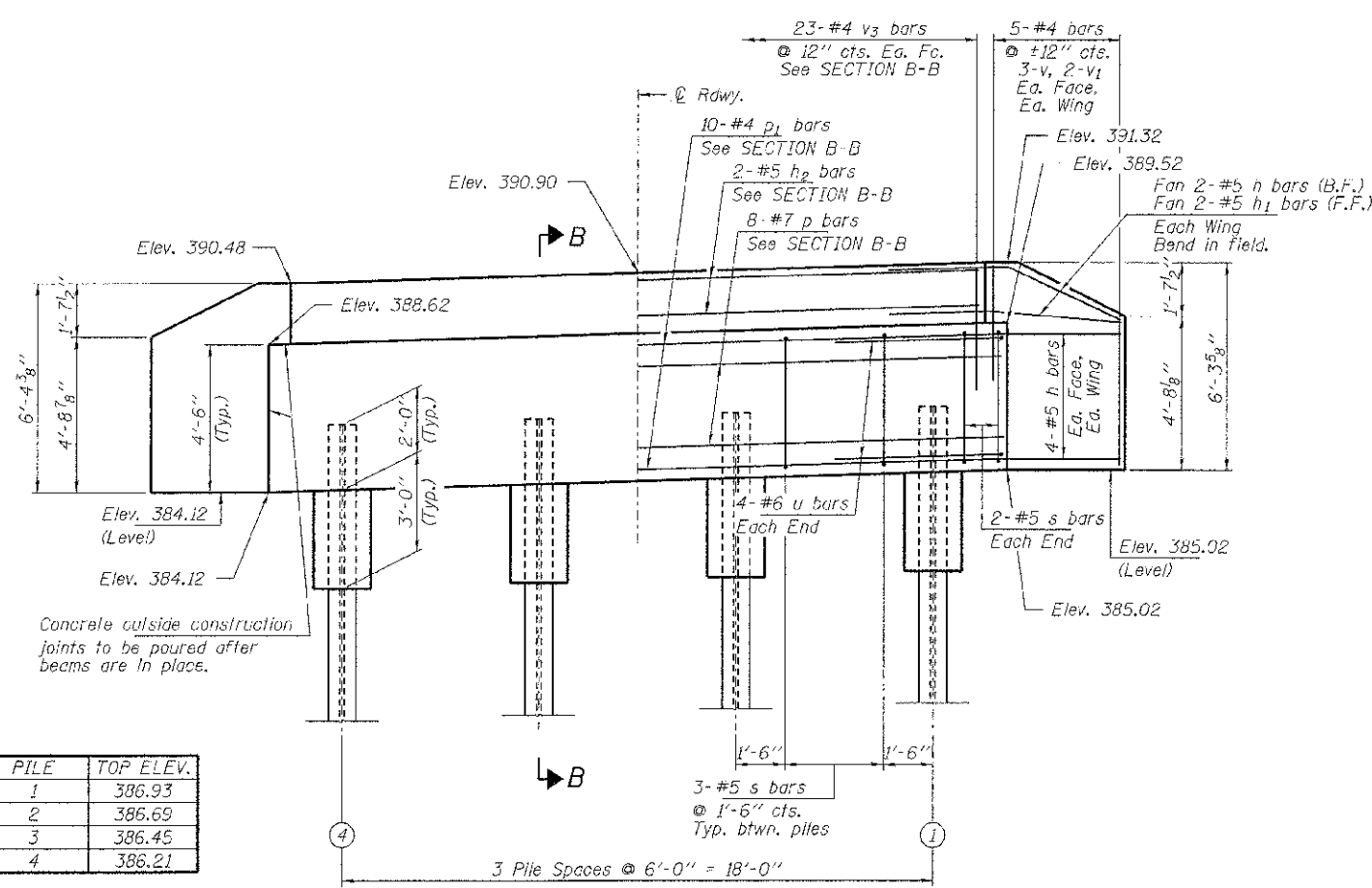
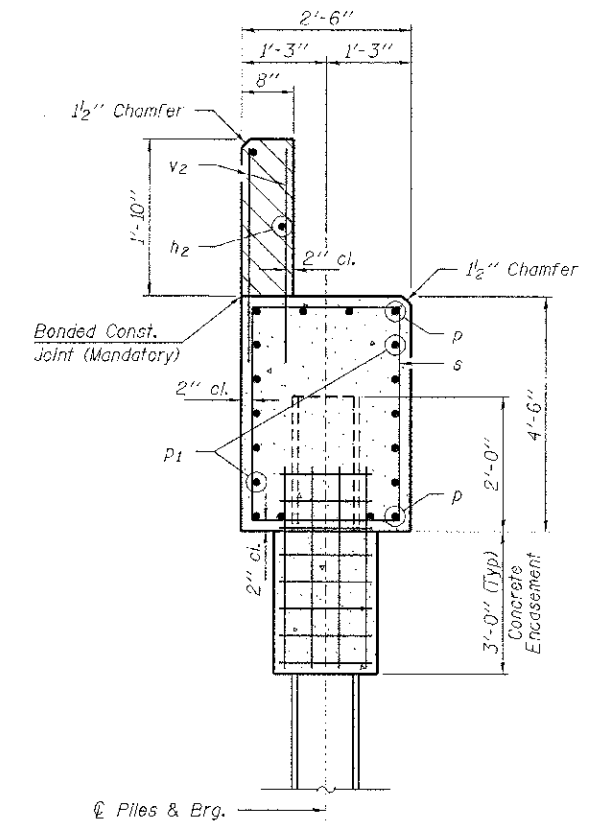


PLAN



ELEVATION
(Looking North)

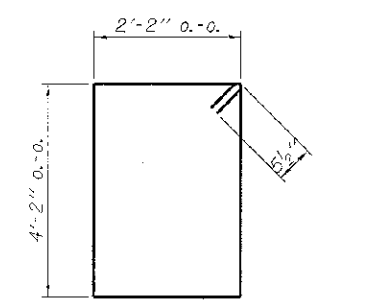
PILE	TOP ELEV.
1	386.93
2	386.69
3	386.45
4	386.21



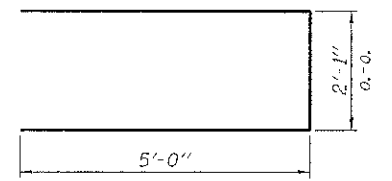
SECTION A-A

Hatched area to be poured after beams are in place.

Note: Extend h bars into abutment cap.



BAR s



BAR u

BILL OF MATERIAL - N. ABUT.

BAR	NO.	SIZE	LENGTH	SHAPE
h	20	#5	5'-6"	—
h1	4	#5	4'-0"	—
h2	2	#5	22'-2"	—
p	8	#7	22'-2"	—
p1	10	#4	22'-2"	—
s	13	#5	13'-7"	□
u	8	#6	12'-1"	—
v	12	#4	5'-4"	—
v1	8	#4	4'-4"	—
v2	46	#4	2'-8"	—

Concrete Structures	Cu. Yd.	11.9
Concrete Encasement	Cu. Yd.	1.4
Reinforcement Bars	Pound	1,170
Steel Piles HP10x42	Foot	180
Name Plates	Each	1

PILE DATA

Type ----- Steel HP10x42
 No. Req'd. (N. Abut.) ----- 4
 Factored Resistance Available (Rf) ----- 184 Kips/Pile
 Nominal Required Bearing (Rn) ----- 334 Kips/Pile
 Est. Length ----- 45 Ft/Pile

Notes: The Steel H-Piles shall be according to AASHTO M270 Grade 50.