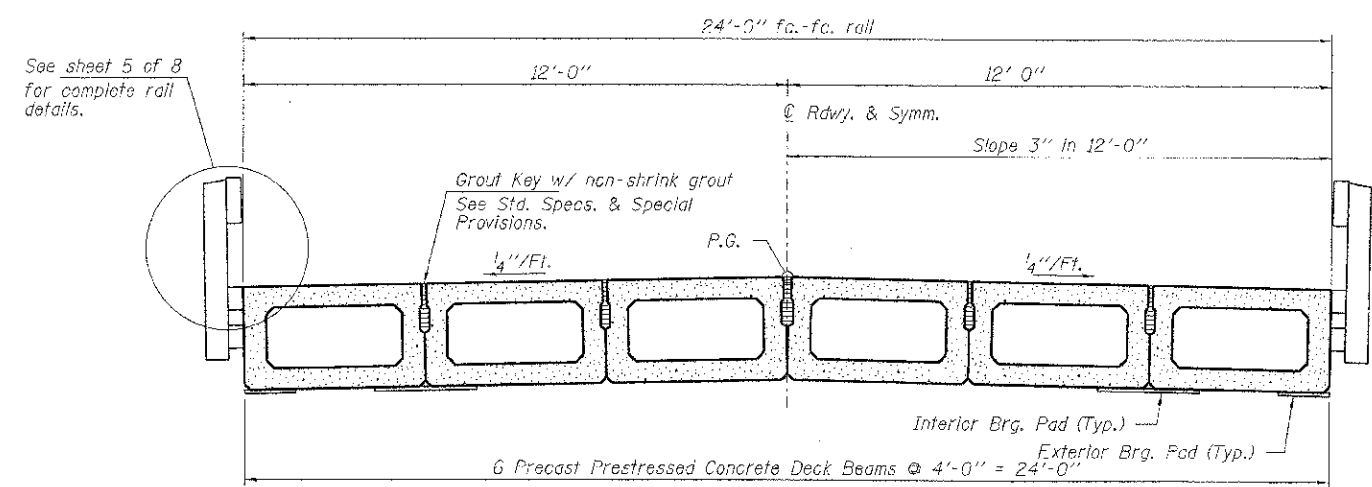
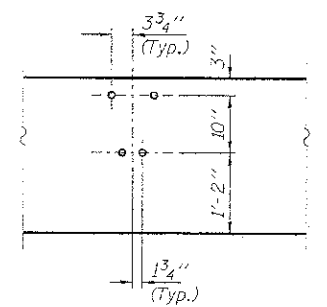


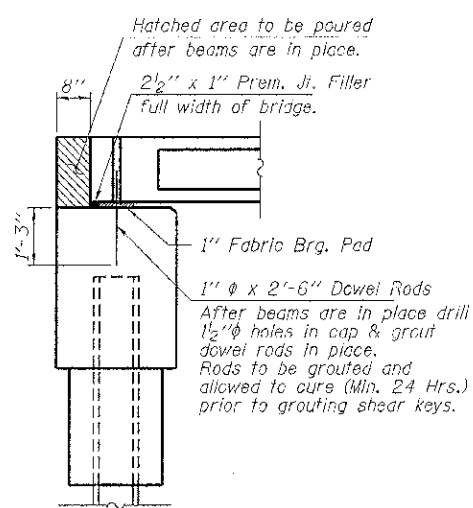
ELEVATION
Showing Rail Post Spaces
See sheet 5 of 8 for Railing Details.



CROSS SECTION
See sheets 2 & 3 of 8 for Superstructure.



DETAIL A



SECTION AT ABUTMENTS
@ Rt. L's

FILE NAME = 110073-ans-bridge.dgn	USER NAME =	DESIGNED - A.S.L.	REVISED -	STATE OF ILLINOIS WHITE COUNTY HIGHWAY DEPARTMENT	SUPERSTRUCTURE DETAILS STRUCTURE NO. 097-3280	C.H.	SECTION	COUNTY	TOTAL SHEETS	
HAMPTON LENZINI AND RENWICK, INC. 5501 STEVENSON DRIVE SUITE 501 SPRINGFIELD, ILL. 62705	PLOT SCALE =	CHECKED - S.W.M.	REVISED -			11	10-00118-00-BR	WHITE	12	8
IL, IN, MISS. PROFESSIONAL DESIGN FIRMS L.S. / P.E. / S.E. 2009 180.000000	PLOT DATE = 10/2/2012	DRAWN - D.A.B.	REVISED -			CONTRACT NO. 99483				
		CHECKED - S.W.M.	REVISED -			SHEET NO. 4 OF 8 SHEETS				

ILLINOIS FED. AID PROJECT BR05-18310591