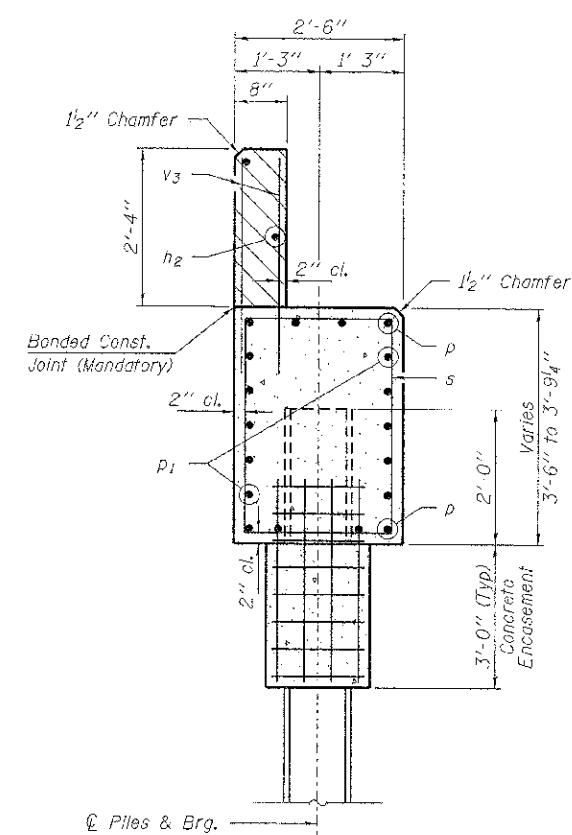
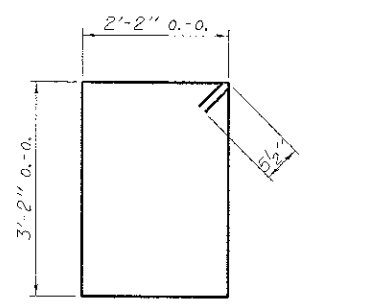


PLAN

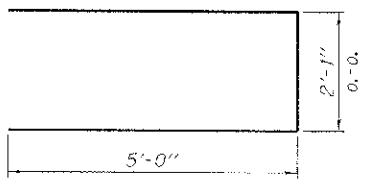


SECTION A-A

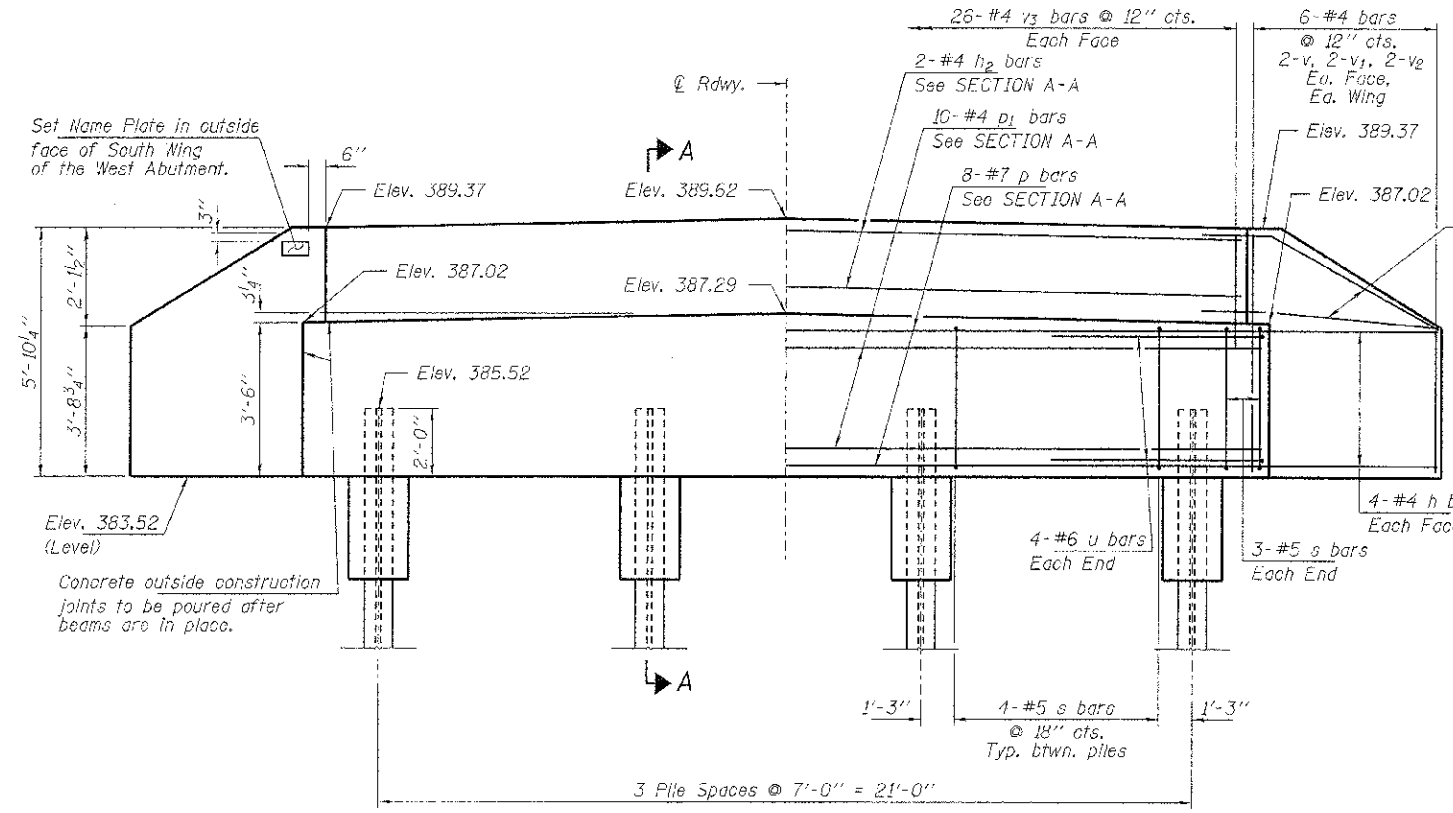
Hatched area to be poured after beams are in place.



BAR s



BAR u



ELEVATION

Note: Extend h bars into abutment cap.

Fan 2-#4 h bars (B.F.)
Fan 2-#4 h1 bars (F.F.)
Each Wing
Bend in field.

PILE DATA

Type: Steel HP12x53
No. Req'd. (2 Abutts.): 8
Factored Resistance Available (RF): 230 Kips/Pile
Nominal Required Bearing (Rn): 419 Kips/Pile
Est. Length: 25 Ft/Pile

BILL OF MATERIAL - 2 ABUTS.

BAR	NO.	SIZE	LENGTH	SHAPE
h	40	#4	6'-6"	—
h1	8	#4	5'-0"	—
h2	4	#4	25'-2"	—
p	15	#7	25'-2"	—
p1	20	#4	25'-2"	—
s	36	#5	11'-7"	□
u	16	#6	12'-1"	—
v	16	#4	5'-5"	—
v1	16	#4	4'-5"	—
v2	16	#4	3'-5"	—
v3	104	#4	3'-2"	—
Concrete Structures			Cu. Yd.	23.4
Concrete Encasement			Cu. Yd.	2.8
Reinforcement Bars			Pound	2,510
Steel Piles HP12x53			Foot	200
Name Plates			Each	1