

STATE OF ILLINOIS
DEPARTMENT OF TRANSPORTATION

P.A. R.T.E.	SECTION	COUNTY	TOTAL SHEETS
VARIOUS	2016-0351	VARIOUS	12
ILLINOIS CONTRACT NO. 62C90			NO. 1

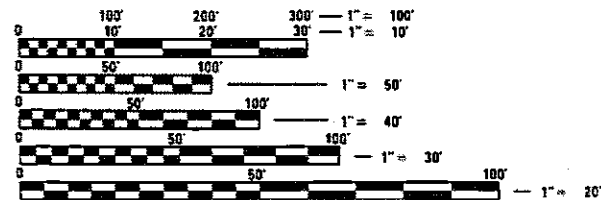
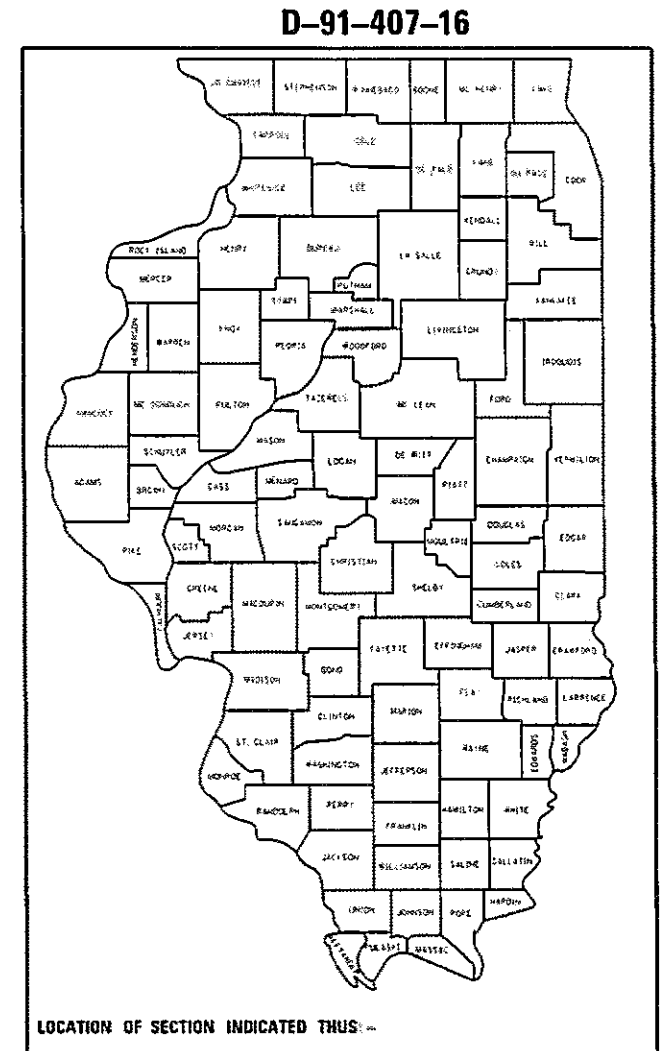
FOR INDEX OF SHEETS, SEE SHEET NO. 2

IMPROVEMENTS ARE LOCATED IN THE VILLAGES OF SOUTH ELGIN, SUGAR GROVE, BENSENVILLE, NORTH AURORA, WEST DUNDEE, CARPENTERSVILLE, ELBURN, LILY LAKE, HUNTLEY AND THE CITIES OF BETA VIA, ELGIN, GENEVA, ST CHARLES & AURORA.

PROPOSED HIGHWAY PLANS

ROUTE: VARIOUS
VARIOUS LOCATIONS
SECTION: 2016-0351
PROJECT: STP-NHPP-U987(171)
SHOULDER REPAIR
VARIOUS COUNTIES
C-91-407-16

SEE LOCATION MAPS
SHEETS 5 - 9



FULL SIZE PLANS HAVE BEEN PREPARED USING STANDARD ENGINEERING SCALES. REDUCED SIZED PLANS WILL NOT CONFORM TO STANDARD SCALES. IN MAKING MEASUREMENTS ON REDUCED PLANS, THE ABOVE SCALES MAY BE USED.

J.U.L.I.E.
JOINT UTILITY LOCATION INFORMATION FOR EXCAVATION
1-800-892-0123
OR 811

PROJECT MANAGER - FAWAD AQUEEL (847) 705-4247
PROJECT ENGINEER - J. ALAIN MIDY (847) 221-3056

CONTRACT NO. 62C90

STATE OF ILLINOIS
DEPARTMENT OF TRANSPORTATION
DIVISION OF HIGHWAYS

SUBMITTED *October 16, 2017*

Anthony J. Simpity / PAS
REGIONAL ENGINEER

Nov 30 2017

Maureen N. Addis, PE
ENGINEER OF DESIGN AND ENVIRONMENT

Nov 30 2017

David [Signature]
DIRECTOR OF PROGRAM DEVELOPMENT

PRINTED BY THE AUTHORITY
OF THE STATE OF ILLINOIS

INDEX OF SHEETS

SHEET NO.	DESCRIPTION
1	TITLE SHEET
2	INDEX OF SHEETS, STATE STANDARDS, AND GENERAL NOTES
3	SUMMARY OF QUANTITIES
4	SCHEDULE OF QUANTITIES
5 - 9	LOCATION MAPS
10	TYPICAL SECTIONS
11	TRAFFIC CONTROL AND PROTECTION FOR SIDE ROADS, INTERSECTIONS, AND DRIVEWAYS (TC-10)
12	ARTERIAL ROAD AND INFORMATION SIGN (TC-22)

LIST OF STATE STANDARDS

STANDARD NO.	DESCRIPTION
701006-05	OFF-ROAD OPERATION 2L, 2W, 15' TO 2' FROM PAVEMENT EDGE
701011-04	OFF-ROAD OPERATIONS 2L, 2W DAY ONLY
701101-05	OFF-ROAD OPERATIONS, MULTILANE, 15' TO 2' FROM PAVEMENT EDGE
701301-04	LANE CLOSURE, 2L, 2W, SHORT TIME OPERATIONS
701306-04	LANE CLOSURE 2L, 2W, SLOW MOVING OPERATIONS, DAY ONLY, FOR SPEEDS > 45 MPH
701426-09	LANE CLOSURE, MULTILANE, INTERMITTENT OR MOVING OPERATION, FOR SPEEDS ≥ 45 MPH
701427-05	LANE CLOSURE, MULTILANE, INTERMITTENT OR MOVING OPERATION, FOR SPEEDS < 40 MPH
701901-07	TRAFFIC CONTROL DEVICES

GENERAL NOTES

BEFORE STARTING ANY EXCAVATION, THE CONTRACTOR SHALL CALL "J.U.L.I.E." AT 1-800-892-0123 OR 811 FOR FIELD LOCATIONS OF BURIED ELECTRIC, TELEPHONE AND GAS FACILITIES. 48 HOURS NOTIFICATION IS REQUIRED.

THE CONTRACTOR SHALL COORDINATE CONSTRUCTION ACTIVITIES WITH UTILITY COMPANIES AND THE VILLAGES OF SOUTH ELGIN, SUGAR GROVE, BENSENVILLE, NORTH AURORA, WEST DUNDEE, CARPENTERSVILLE, ELBURN, LILY LAKE, HUNTLEY AND THE CITIES OF BATAVIA, ELGIN, GENEVA, ST CHARLES AND AURORA.

THE CONTRACTOR SHALL BE REQUIRED TO PROVIDE ACCESS TO ABUTTING PROPERTY AT ALL TIMES DURING THE CONSTRUCTION OF THIS PROJECT.

IT SHALL BE THE CONTRACTOR'S RESPONSIBILITY TO VERIFY ALL DIMENSIONS AND CONDITIONS EXISTING IN THE FIELD PRIOR TO CONSTRUCTION AND ORDERING OF MATERIALS.

THE CONTRACTOR SHALL CONTACT THE DISTRICT ONE TRAFFIC CONTROL SUPERVISOR AT (847) 705-4470. A MINIMUM OF 72 HOURS PRIOR TO THE INSTALLATION OF ANY TEMPORARY TRAFFIC CONTROL DEVICES.

DO NOT SCALE PLANS FOR CONSTRUCTION DIMENSIONS.

THE CONTRACTOR WILL NOT BE ALLOWED TO SET UP A YARD OR FIELD OFFICE ON STATE PROPERTY WITHOUT WRITTEN PERMISSION FROM THE DEPARTMENT.

THESE PLANS HAVE BEEN PREPARED FROM NOTES RECEIVED FROM THE BUREAU OF MAINTENANCE.

FILE NAME =	USER NAME = gulloumefp	DESIGNED -	REVISED -	STATE OF ILLINOIS DEPARTMENT OF TRANSPORTATION	INDEX OF SHEETS, STATE STANDARDS & GENERAL NOTES	VAR	SECTION	COUNTY	TOTAL SHEETS	SHEET NO.	
pwt\11.084EBIDINTEG\Illinois.gov\PWIDOT\Documents\DOT Offices\District 1\Projects\014070\Meta\Design\0140716-ahs-plan.dgn	PLLOT SCALE = 5000.0000' / 1" =	CHECKED -	REVISED -			VAR	2016-0351	VARIOUS	12	2	
Default	PLLOT DATE = 10/16/2017	DATE -	REVISED -			CONTRACT NO. 62C90					
						SCALE:	SHEET	OF	SHEETS	STA.	TO

Location	Length	Shoulder Width	Shoulder Miles	Notes
IL 47 – Kreutzer Rd to Kendall Co Line From 0.2 mile North of traffic light of Big Timber Rd to IL Route 72 From 0.2 mile South of IL 72/US 20 intersection to 0.1 mile North of Plank Road From Silver Glyn Road to IL 64 <p style="text-align: right;">Total</p>	2.1 mile 1.7 mile <u>2.5 mile</u> 6.3 miles	2-3 Feet	12.6 Miles	Left and right shoulders
IL 31 – McHenry Co Line to Stearns Road From McHenry Co. Line to Spring Point Dr. From Hickory Lane to McLean Blvd. From Stearns Rd to Red Gate Road	3.2 mile 1.9 mile <u>1.1 mile</u> 6.2 miles	3-6 Feet	12.4 Miles	Left and right shoulders
Ill 25 – Stearns Rd to Zengele Avenue From Zengele Ave. to Michell Rd. (0.5 mile going North)(Left Shoulder) (0.1 mile N. of Mitchell Rd.)(Both Shoulders) From Indian Trail to 0.2 mile S. of Sullivan Rd. (Both Shoulders) From Grant Ave. to Clearwater Dr.(Both Shoulders) From County Club Rd. to Fox Glen Rd. (Both Shoulders) From Army Trail Rd. to Stearns Rd.(Both Shoulders) <p style="text-align: right;">Total</p>	0.5 mile 0.4 mile 0.8 mile 1.1 mile 1.2 mile <u>2.9 mile</u> 6.9 miles	3-4Feet	13.8 Miles	
US 30 – Ill 47 to Kendall Co Line	2 Miles	3 Feet	4 Miles	Left and right shoulders
IL 19 – Cook Co Line to IL 83	1.8 mile	4-5Feet	3.6 Miles	Left and right shoulders
Total			46.4 Miles	

R 7 E

LOCATION 1 - IL 47
 KREUTZER RD. TO KENDALL CO. LINE
 VILLAGES OF SUGAR GROVE, ELBURN
 LILY LAKE AND HUNTLEY

T 41 N / T 40 N / T 39 N / T 38 N



AURORA, BATAVIA, GENEVA, ST CHARLES & ELGIN TOWNSHIPS

FILE NAME =	USER NAME = guillaumejp	DESIGNED -	REVISED -
p:\IL\084EBIDINTEG\Illinois.gov\PWIDOT\Documents\IDOT Offices\District 1\Projects\D140716\MapData\Design\D140716-shr-plan.dgn		DRAWN -	REVISED -
Default		CHECKED -	REVISED -
	PLOT SCALE = 5000.0000' / in.	DATE -	REVISED -
	PLOT DATE = 10/16/2017		

**STATE OF ILLINOIS
 DEPARTMENT OF TRANSPORTATION**

LOCATION MAP - 1

SCALE: SHEET OF SHEETS STA. TO STA.

VAR	SECTION	COUNTY	TOTAL SHEETS	SHEET NO.
	2016-035I	VARIOUS	12	5
			CONTRACT NO. 62C90	
ILLINOIS FED. AID PROJECT				

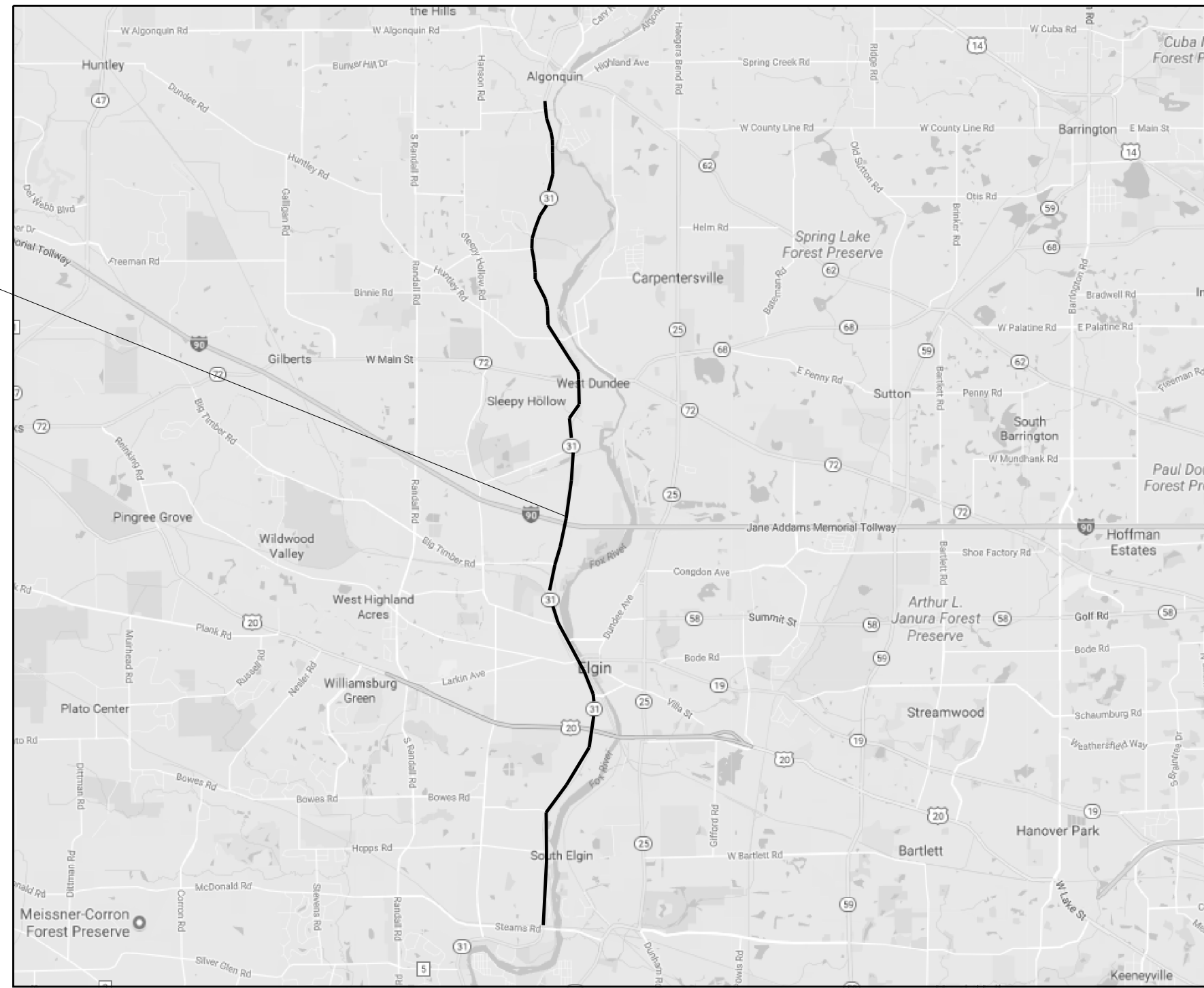
R 8 E

/ T 42 N

/ T 41 N

T 40 N

LOCATION 2 - IL 31
MCHENRY CO. LINE TO STEARNS RD.
VILLAGES OF SOUTH ELGIN, WEST DUNDEE
CARPENTERSVILLE & THE CITY OF ELGIN



ST CHARLES, ELGIN & DUNDEE TOWNSHIPS

FILE NAME =	USER NAME = guillaumejp	DESIGNED -	REVISED -
p:\11\084EBIDINTEG\illinois.gov\PIWIDOT\Documents\IDOT Offices\District 1\Projects\140716\140716-shr-pln.dgn		REVISED -	REVISED -
Default	PLOT SCALE = 5000.0000' / in.	CHECKED -	REVISED -
	PLOT DATE = 10/16/2017	DATE -	REVISED -

**STATE OF ILLINOIS
DEPARTMENT OF TRANSPORTATION**

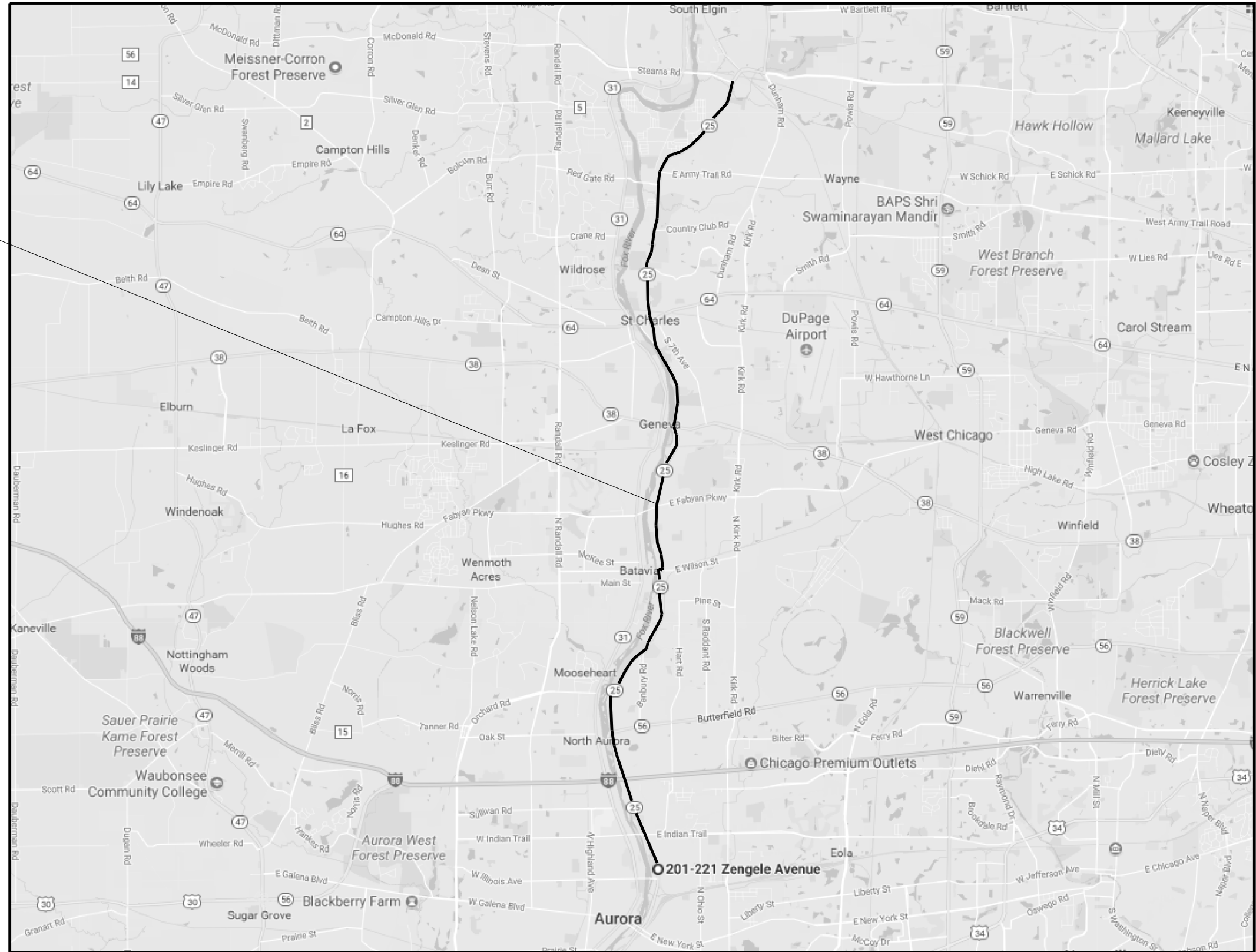
LOCATION MAP - 2

SCALE: SHEET OF SHEETS STA. TO STA.

VAR	SECTION	COUNTY	TOTAL SHEETS	SHEET NO.
	2016-035I	VARIOUS	12	6
			CONTRACT NO. 62C90	
ILLINOIS FED. AID PROJECT				

LOCATION 3 - IL 25
 STEARNS RD. TO ZENGELE AVENUE
 VILLAGE OF NORTH AURORA
 & THE CITIES OF ST CHARLES, GENEVA,
 BATAVIA & AURORA

T 40 N
 /
 T 39 N
 /
 T 38 N



AURORA, BATAVIA, GENEVA & ST CHARLES TOWNSHIPS

FILE NAME =	USER NAME = guillaumejp	DESIGNED -	REVISED -	STATE OF ILLINOIS DEPARTMENT OF TRANSPORTATION	LOCATION MAP - 3			VAR	SECTION	COUNTY	TOTAL SHEETS	SHEET NO.
p:\IL\084EBIDINTEG\Illinois.gov\PIWIDOT\Documents\IDOT Offices\District 1\Projects\1407\BATAVIA\Design\140716-sht-plan.dgn		REVISOR	REVISOR					VAR	2016-0351	VARIOUS	12	7
Default	PLOT SCALE = 5000.0000' / in.	CHECKED -	REVISOR -					CONTRACT NO. 62C90				
	PLOT DATE = 10/16/2017	DATE -	REVISOR -					SCALE:	SHEET	OF SHEETS	STA.	TO STA.

R 7 E

LOCATION 4 - US 30
IL 47 TO KENDALL CO. LINE
VILLAGE OF SUGAR GROVE

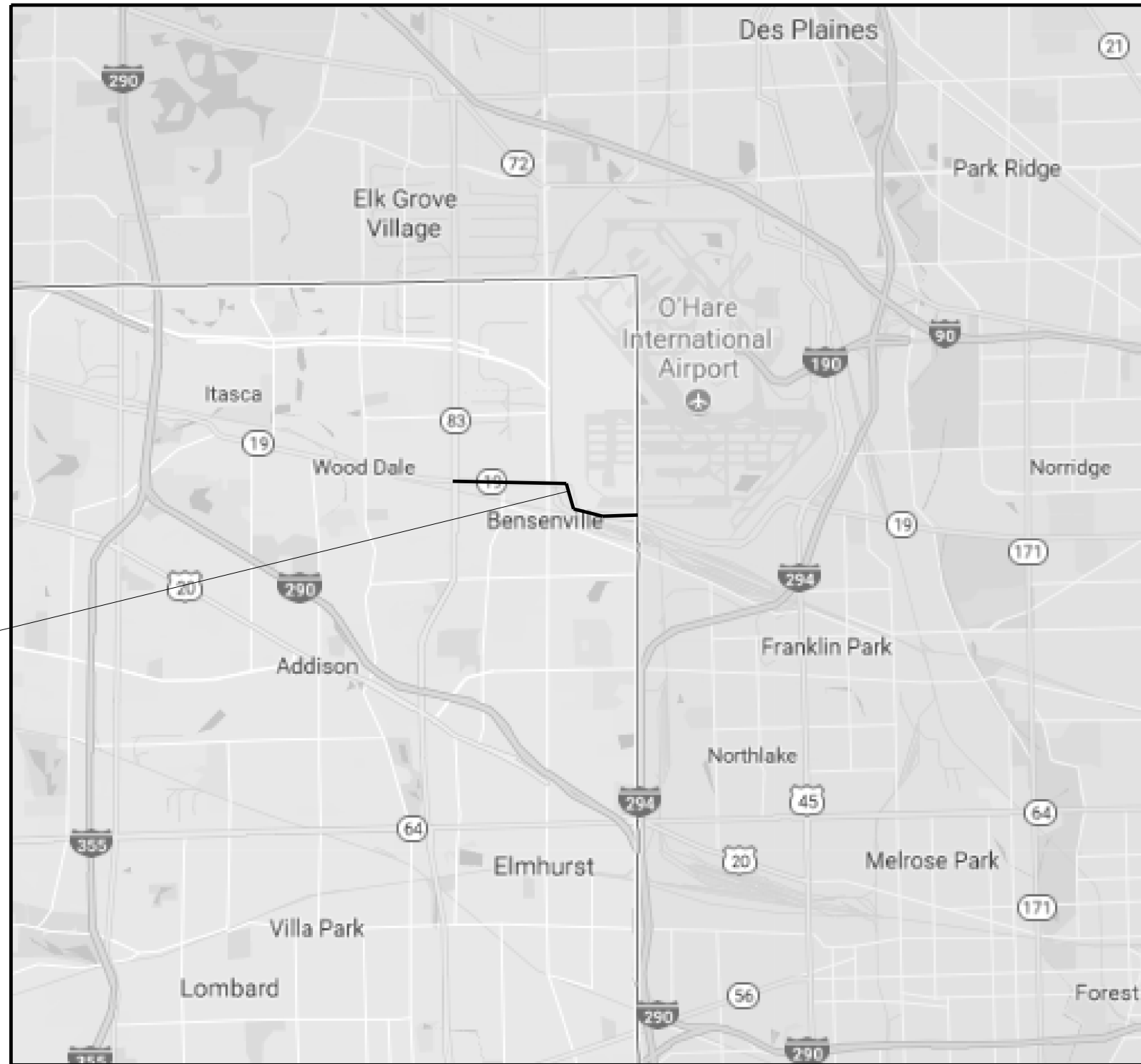
T 38 N



SUGAR GROVE TOWNSHIP

FILE NAME =	USER NAME = guillaumejp	DESIGNED -	REVISED -	STATE OF ILLINOIS DEPARTMENT OF TRANSPORTATION	LOCATION MAP - 4			VAR	SECTION	COUNTY	TOTAL SHEETS	SHEET NO.
pw\IL084EBIDINTEG.illinois.gov\PIWIDOT\Documents\IDOT Offices\District 1\Projects\D140716\MapData\Design\D140716-sht-plan.dgn		REVISIONS	REVISED -					VAR	2016-035I	VARIOUS	12	8
Default	PLOT SCALE = 5000.0000 / in.	CHECKED -	REVISED -		CONTRACT NO. 62C90			ILLINOIS FED. AID PROJECT				
	PLOT DATE = 10/16/2017	DATE -	REVISED -		SCALE:	SHEET	OF SHEETS	STA.	TO STA.			

R 11 E



LOCATION 5 - IL 19
COOK CO. LINE TO IL 83
VILLAGE OF BENSENVILLE

T 40 N

ADDISON TOWNSHIP

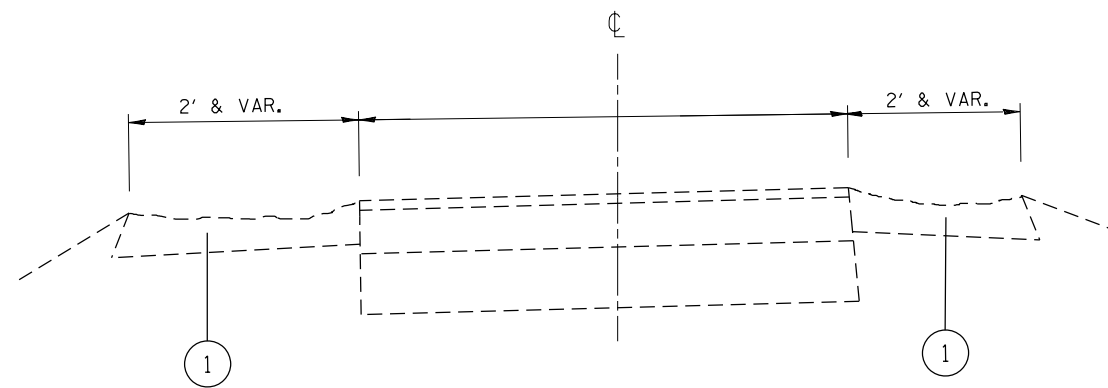
FILE NAME =	USER NAME = guillaumejp	DESIGNED -	REVISED -
p:\IL\084EBIDINTEG\illinois.gov\PWIDOT\Documents\IDOT Offices\District 1\Projects\DI40716\Drawings\Design\DI40716-sht-pln.dgn		DRAWN -	REVISED -
Default	PLOT SCALE = 5000.0000' / in.	CHECKED -	REVISED -
	PLOT DATE = 10/16/2017	DATE -	REVISED -

STATE OF ILLINOIS
DEPARTMENT OF TRANSPORTATION

LOCATION MAP - 5

SCALE: SHEET OF SHEETS STA. TO STA.

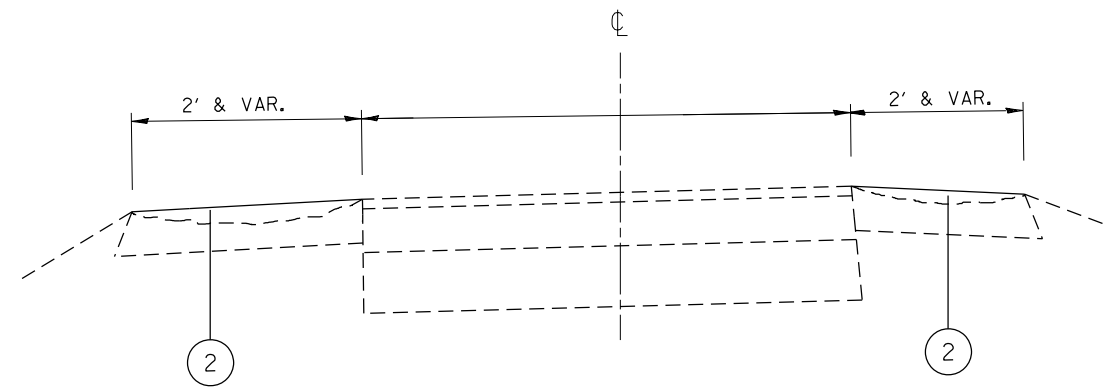
VAR	SECTION	COUNTY	TOTAL SHEETS	SHEET NO.
	2016-035I	VARIOUS	12	9
			CONTRACT NO. 62C90	
ILLINOIS FED. AID PROJECT				



EXISTING TYPICAL SECTION FOR VARIOUS LOCATIONS
(SEE SHEET 4)

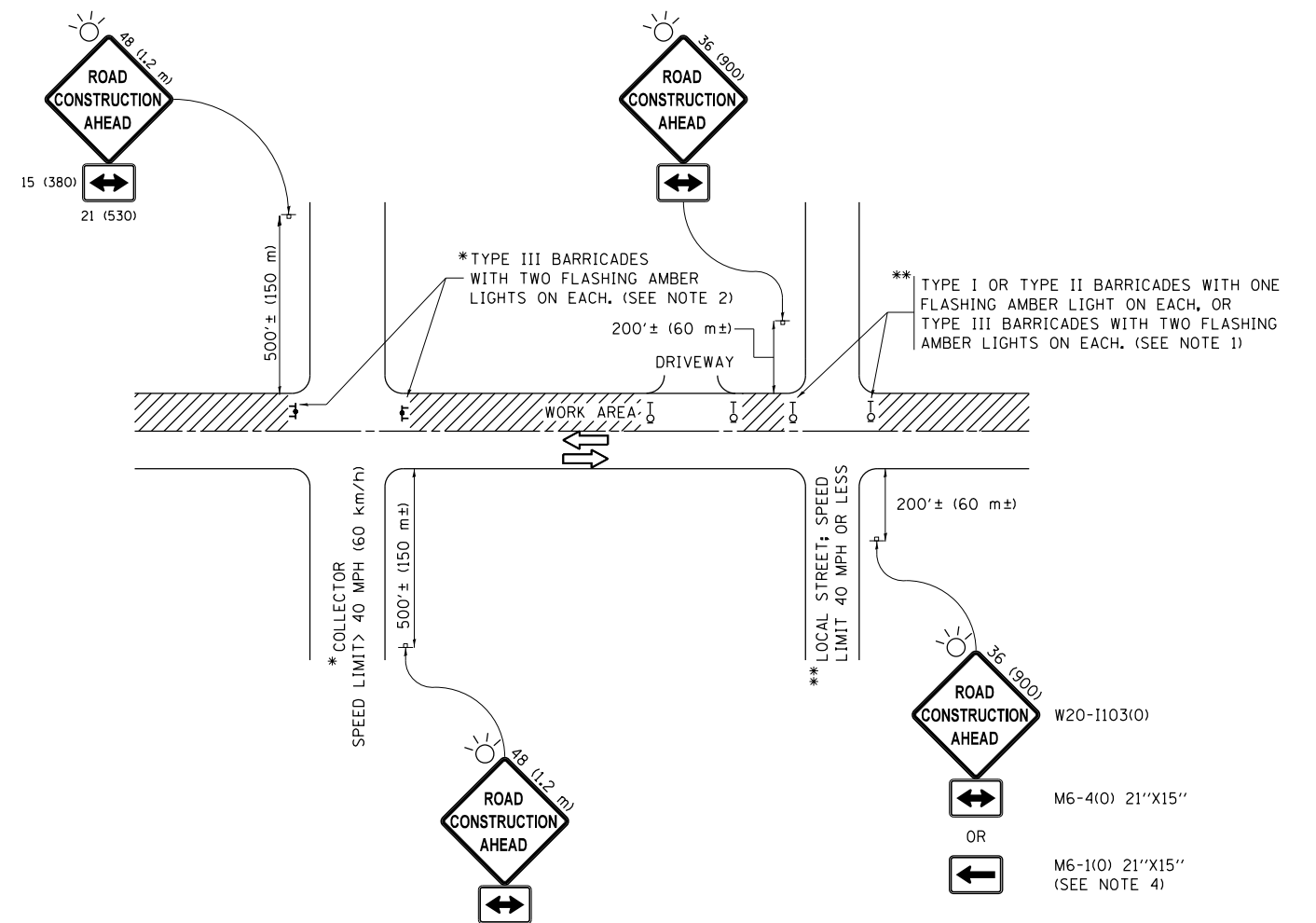
LEGEND

- ① EXISTING AGGREGATE SHOULDER
- ② PROPOSED AGGREGATE WEDGE SHOULDER, 1"



PROPOSED TYPICAL SECTION FOR VARIOUS LOCATIONS
(SEE SHEET 4)

FILE NAME =	USER NAME = guillaumejp	DESIGNED -	REVISED -	STATE OF ILLINOIS DEPARTMENT OF TRANSPORTATION	TYPICAL SECTIONS			VAR	SECTION	COUNTY	TOTAL SHEETS	SHEET NO.
p:\11\084EBIDINTEG.illinois.gov\PWIDOT\Documents\IDOT Offices\District 1\Projects\D140716\Drawings\Design\D140716-sht-plan.dgn	PLOT SCALE = 5000.0000' / in.	CHECKED -	REVISED -					VAR	2016-035I	WILL	12	10
Default	PLOT DATE = 10/16/2017	DATE -	REVISED -		SCALE: SHEET OF SHEETS STA. TO STA.			CONTRACT NO. 62C90				
								ILLINOIS FED. AID PROJECT				



NOTES:

1. SIDE ROAD WITH A SPEED LIMIT OF 40 MPH (60 km/h) OR LESS AS SHOWN ON THE DRAWING AND AS DIRECTED BY THE ENGINEER:
 - a) ONE "ROAD CONSTRUCTION AHEAD" SIGN 36 x 36 (900x900) WITH A FLASHER MOUNTED ON IT APPROXIMATELY 200' (60 m) IN ADVANCE OF THE MAIN ROUTE.
 - b) THE CLOSED PORTION OF THE MAIN ROUTE SHALL BE PROTECTED BY BLOCKING WITH TYPE I, TYPE II OR TYPE III BARRICADES, 1/3 OF THE CROSS SECTION OF THE CLOSED PORTION.
2. SIDE ROAD WITH A SPEED LIMIT GREATER THAN 40 MPH (60 km/h) AS SHOWN ON THE DRAWING AND AS DIRECTED BY THE ENGINEER:
 - a) ONE "ROAD CONSTRUCTION AHEAD" SIGN 48 x 48 (1.2 m x 1.2 m) WITH A FLASHER MOUNTED ON IT APPROXIMATELY 500' (150 m) IN ADVANCE OF THE MAIN ROUTE.
 - b) THE CLOSED PORTION OF THE MAIN ROUTE SHALL BE PROTECTED BY BLOCKING WITH TYPE III BARRICADES, 1/2 OF THE CROSS SECTION OF THE CLOSED PORTION.
3. CONES MAY BE SUBSTITUTED FOR BARRICADES OR DRUMS AT HALF THE SPACING DURING DAY OPERATIONS. CONES SHALL BE A MINIMUM OF 28 (710) IN HEIGHT.
4. WHEN THE SIDE ROAD LIES BETWEEN THE BEGINNING OF THE MAINLINE SIGNING AND THE WORK ZONE, A SINGLE HEADED ARROW (M6-1) SHALL BE USED IN LIEU OF THE DOUBLE HEADED ARROW (M6-4).
5. WHEN WORK IS BEING PERFORMED ON A SIDE ROAD OR DRIVEWAY, FOLLOW THE APPLICABLE STANDARD(S). THE DIRECTIONAL ARROW (M6-1 OR M6-4) SHALL BE COVERED OR REMOVED WHEN NO LONGER CONSISTENT WITH THE TRAFFIC CONTROL SET-UP.
6. ADVANCE WARNING SIGNS ARE TO BE OMITTED ON DRIVEWAYS UNLESS OTHERWISE SPECIFIED IN THE PLANS OR BY THE ENGINEER.
7. THE TRAFFIC CONTROL AND PROTECTION FOR SIDE ROADS, INTERSECTIONS, AND DRIVEWAYS SHALL BE INCLUDED IN THE COST OF SPECIFIED TRAFFIC CONTROL STANDARDS OR ITEMS.

All dimensions are in inches (millimeters) unless otherwise shown.

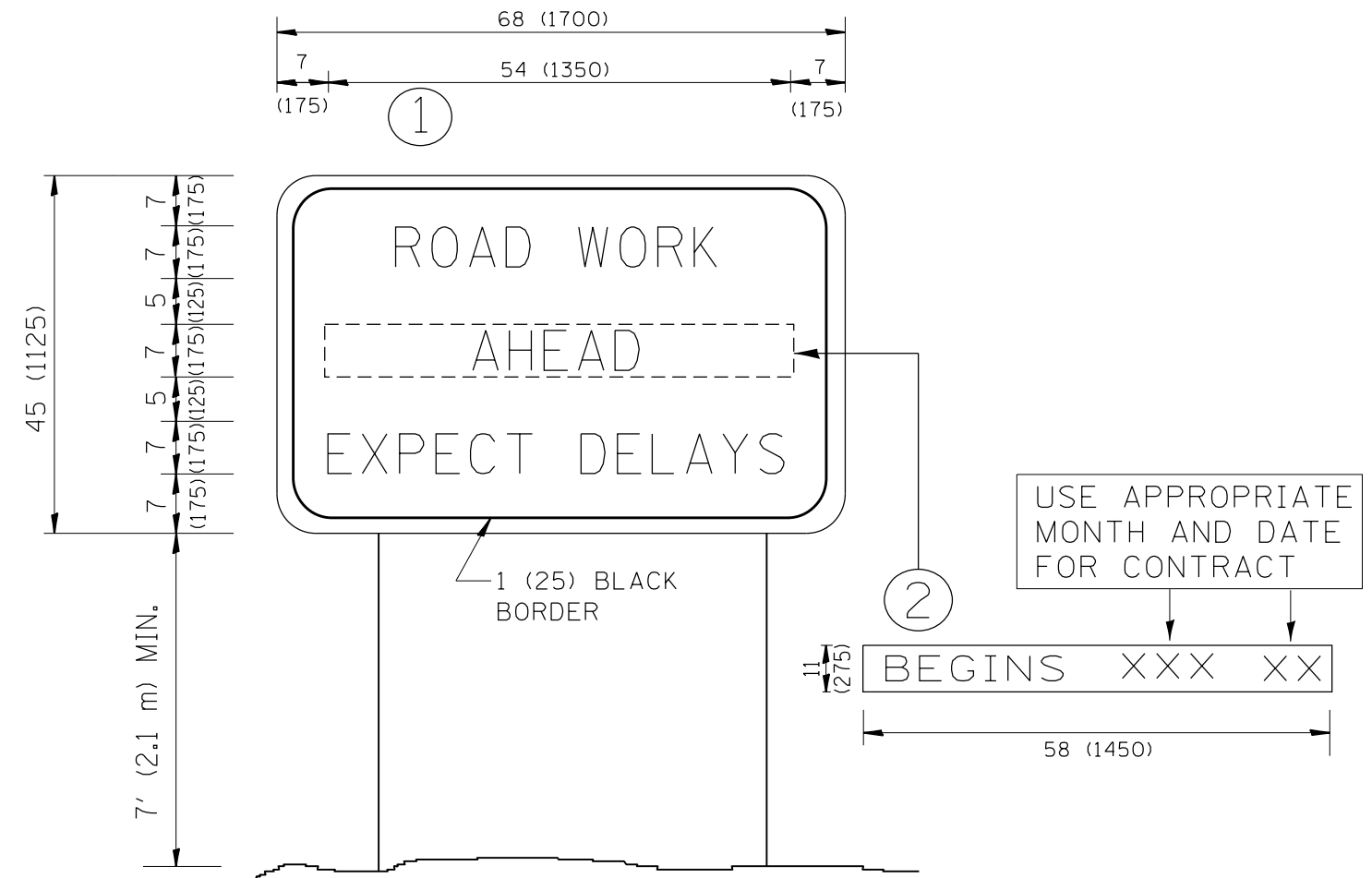
FILE NAME =	USER NAME = guillaumejp	DESIGNED - L.H.A.	REVISED - A. HOUSEH 10-15-96
pw:\IL\084EBIDINTEG\Illinois.gov\PWIDOT\Documents\IDOT Offices\District 1\Projects\DI407\Drawings\Design\Diststd.dgn			REVISED - T. RAMMACHER 01-06-00
Default	PLOT SCALE = 100.0000' / in.	CHECKED -	REVISED - A. SCHUETZE 07-01-13
	PLOT DATE = 10/16/2017	DATE - 06-89	REVISED - A. SCHUETZE 09-15-16

**STATE OF ILLINOIS
DEPARTMENT OF TRANSPORTATION**

**TRAFFIC CONTROL AND PROTECTION FOR
SIDE ROADS, INTERSECTIONS, AND DRIVEWAYS**

SCALE: NONE SHEET 1 OF 1 SHEETS STA. TO STA.

F.A. RTE.	SECTION	COUNTY	TOTAL SHEETS	SHEET NO.
VAR	2016-0351	VARIOUS	12	11
TC-10			CONTRACT NO.	62C90
ILLINOIS FED. AID PROJECT				



NOTES:

1. USE BLACK LETTERING ON ORANGE BACKGROUND.
2. ERECT SIGNS IN ADVANCE OF THE LOCATION FOR THE "ROAD CONSTRUCTION AHEAD" SIGN AT LOCATIONS AS DIRECTED BY THE ENGINEER.
3. ERECT SIGN ① WITH INSTALLED PANEL ② ONE WEEK PRIOR TO THE START OF CONSTRUCTION.
4. REMOVE PANEL ② SOON AFTER THE START OF CONSTRUCTION.
5. SEE SPECIAL PROVISION FOR "TEMPORARY INFORMATION SIGNING" FOR ADDITIONAL INFORMATION.
6. ONE SIGN ASSEMBLY EQUALS 25.70 SQ. FT. (2.3 SQ. M.)
7. SHALL BE PAID FOR AS TEMPORARY INFORMATION SIGNING.

ALL DIMENSIONS ARE IN INCHES (MILLIMETERS) UNLESS OTHERWISE SHOWN.

FILE NAME =	USER NAME = guillaumejp	DESIGNED -	REVISED - R. MIRS 09-15-97	STATE OF ILLINOIS DEPARTMENT OF TRANSPORTATION	ARTERIAL ROAD INFORMATION SIGN	F.A. RTE.	SECTION	COUNTY	TOTAL SHEETS	SHEET NO.
pw:\IL\084EBIDINTEG.illinois.gov\PWIDOT\Documents\DOT Offices\District 1\Projects\DI407\Drawings\Design\Diststd.dgn		REVISOR -	REVISED - R. MIRS 12-11-97			VAR	2016-0351	VARIOUS	12	12
	PLOT SCALE = 100.0000' / 1in.	CHECKED -	REVISED - T. RAMMACHER 02-02-99			TC-22		CONTRACT NO. 62C90		
	PLOT DATE = 10/16/2017	DATE -	REVISED - C. JUCIUS 01-31-07			SCALE: NONE	SHEET NO. 1 OF 1 SHEETS	STA.	TO STA.	FED. ROAD DIST. NO. 1 ILLINOIS FED. AID PROJECT