

90% FEDERAL  
10% STATE

90% FEDERAL  
10% STATE

SUMMARY OF QUANTITIES			TOTAL QUANTITIES	CONSTRUCTION TYPE CODE		
CODE NO	ITEM	UNIT		0004		
20100500	TREE REMOVAL, ACRES	ACRE	1.7	1.7		
20200100	EARTH EXCAVATION	CU YD	12724	12724		
20400800	FURNISHED EXCAVATION	CU YD	10902	10902		
21101505	TOPSOIL EXCAVATION AND PLACEMENT	CU YD	2753	2753		
25000200	SEEDING, CLASS 2	ACRE	6.3	6.3		
25000400	NITROGEN FERTILIZER NUTRIENT	POUND	567	567		
25000500	PHOSPHORUS FERTILIZER NUTRIENT	POUND	567	567		
25000600	POTASSIUM FERTILIZER NUTRIENT	POUND	567	567		
25000700	AGRICULTURAL GROUND LIMESTONE	TON	12.6	12.6		
25100115	MULCH, METHOD 2	ACRE	6.3	6.3		
28000250	TEMPORARY EROSION CONTROL SEEDING	POUND	1260	1260		
28000305	TEMPORARY DITCH CHECKS	FOOT	158	158		
28000400	PERIMETER EROSION BARRIER	FOOT	7900	7900		
28001100	TEMPORARY EROSION CONTROL BLANKET	SO YD	532	532		

SUMMARY OF QUANTITIES			TOTAL QUANTITIES	CONSTRUCTION TYPE CODE		
CODE NO	ITEM	UNIT		0004		
28100105	STONE RIPRAP, CLASS A3	SO YD	145	145		
28100809	STONE DUMPED RIPRAP, CLASS A5	TON	60	60		
28200200	FILTER FABRIC	SO YD	145	145		
35400300	PORTLAND CEMENT CONCRETE BASE COURSE WIDENING 8"	SO YD	4450	4450		△
35501316	HOT-MIX ASPHALT BASE COURSE, 8"	SO YD	629	629		
40200800	AGGREGATE SURFACE COURSE, TYPE B	TON	73	73		
40600290	BITUMINOUS MATERIALS (TACK COAT)	POUND	19680	19680		△
40600635	LEVELING BINDER (MACHINE METHOD), N70	TON	529	529		
40600982	HOT-MIX ASPHALT SURFACE REMOVAL - BUTT JOINT	SO YD	260	260		
40600990	TEMPORARY RAMP	SO YD	43	43		
40603085	HOT-MIX ASPHALT BINDER COURSE, IL-19.0, N70	TON	10831	10831		△
40603315	HOT-MIX ASPHALT SURFACE COURSE, MIX "C", N70	TON	1042	1042		
40800050	INCIDENTAL HOT-MIX ASPHALT SURFACING	TON	79	79		

27

△ REV. 12-21-2017

FILE NAME =	USER NAME = steffenmk	DESIGNED -	REVISED -
p:\11884EBID\INTEG\Illinois.gov\PWIDOT\Documents\DOT Offices\District 7\Projects\7473\DRAWING\CA\Sheets\0774723-sht-500.dgn		REVISOR -	REVISOR -
	PLOT SCALE = 100.0000' / in.	CHECKED -	REVISOR -
Default	PLOT DATE = 10/18/2017	DATE -	REVISOR -

STATE OF ILLINOIS  
DEPARTMENT OF TRANSPORTATION

SUMMARY OF QUANTITIES

SCALE: SHEET 1 OF 3 SHEETS STA. TO STA.

F.A.P. RTE.	SECTION	COUNTY	TOTAL SHEETS	SHEET NO.
328A	3Y	EFFINGHAM	62	3
ILLINOIS FED. AID PROJECT			CONTRACT NO. 74723	

90% FEDERAL  
10% STATE

90% FEDERAL  
10% STATE

SUMMARY OF QUANTITIES			TOTAL QUANTITIES	CONSTRUCTION TYPE CODE	
CODE NO	ITEM	UNIT		0004	
42300200	PORTLAND CEMENT CONCRETE DRIVEWAY PAVEMENT, 6 INCH	SQ YD	44	44	
44000100	PAVEMENT REMOVAL	SQ YD	731	731	
44000151	HOT-MIX ASPHALT SURFACE REMOVAL, 1/2"	SQ YD	2885	2885	
44000200	DRIVEWAY PAVEMENT REMOVAL	SQ YD	32	32	
48101600	AGGREGATE SHOULDERS, TYPE B 8"	SQ YD	3549	3549	⚠
48102100	AGGREGATE WEDGE SHOULDER, TYPE B	TON	15	15	⚠
48203029	HOT-MIX ASPHALT SHOULDERS, 8"	SQ YD	1664	1664	
48203100	HOT-MIX ASPHALT SHOULDERS	TON	413	413	
50105220	PIPE CULVERT REMOVAL	FOOT	44	44	
50800105	REINFORCEMENT BARS	POUND	22158	22158	
50800205	REINFORCEMENT BARS, EPOXY COATED	POUND	904	904	
54002020	EXPANSION BOLTS 3/4 INCH	EACH	160	160	

SUMMARY OF QUANTITIES			TOTAL QUANTITIES	CONSTRUCTION TYPE CODE	
CODE NO	ITEM	UNIT		0004	
54003000	CONCRETE BOX CULVERTS	CU YD	176.9	176.9	
60600095	CLASS SI CONCRETE (OUTLET)	CU YD	21.3	21.3	
60602500	CONCRETE GUTTER, TYPE A	FOOT	270	270	
* 63000001	STEEL PLATE BEAM GUARDRAIL, TYPE A, 6 FOOT POSTS	FOOT	3425	3425	⚠
* 63000350	LONG-SPAN GUARDRAIL OVER CULVERT, 12 FT 6 IN SPAN	FOOT	75	75	
* 63100085	TRAFFIC BARRIER TERMINAL, TYPE 6	EACH	2	2	
* 63100167	TRAFFIC BARRIER TERMINAL, TYPE 1 (SPECIAL) TANGENT	EACH	12	12	⚠
* 63100169	TRAFFIC BARRIER TERMINAL, TYPE 1 (SPECIAL) FLARED	EACH	2	2	
63200310	GUARDRAIL REMOVAL	FOOT	1117	1117	
64200108	SHOULDER RUMBLE STRIPS, 8 INCH	FOOT	9100	9100	
66600105	FURNISHING AND ERECTING RIGHT OF WAY MARKERS	EACH	35	35	
66700205	PERMANENT SURVEY MARKERS, TYPE I	EACH	2	2	

\* SPECIALTY ITEM

⚠ REV. 12-21-2017

FILE NAME = p:\11884EBID\INTEG\Illinois.gov\PIDOT\Documents\DOT Offices\District 7\Projects\7473\DRAWING\CAB\Sheets\0774723-sht-500.dgn  
 USER NAME = steffennk  
 DESIGNED -  
 REVISIONS:  
 REVISIONS:  
 REVISIONS:  
 REVISIONS:  
 PLOT SCALE = 100.0000' / in.  
 CHECKED -  
 DATE -  
 PLOT DATE = 10/18/2017

STATE OF ILLINOIS  
DEPARTMENT OF TRANSPORTATION

SUMMARY OF QUANTITIES

SCALE: SHEET 2 OF 3 SHEETS STA. TO STA.

F.A.P. RTE. 328A	SECTION 3Y	COUNTY EFFINGHAM	TOTAL SHEETS 62	SHEET NO. 4
CONTRACT NO. 74723			ILLINOIS FED. AID PROJECT	

90% FEDERAL  
10% STATE

90% FEDERAL  
10% STATE

SUMMARY OF QUANTITIES

SUMMARY OF QUANTITIES

CODE NO	ITEM	UNIT	TOTAL QUANTITIES	CONSTRUCTION TYPE CODE		
				0004		
66700305	PERMANENT SURVEY MARKERS, TYPE II	EACH	1	1		
67100100	MOBILIZATION	LSUM	1	1		
70100450	TRAFFIC CONTROL AND PROTECTION, STANDARD 701201	LSUM	1	1		
70100460	TRAFFIC CONTROL AND PROTECTION, STANDARD 701306	LSUM	1	1		
70101830	TRAFFIC CONTROL AND PROTECTION, STANDARD BLR 21	LSUM	1	1		
70103815	TRAFFIC CONTROL SURVEILLANCE	CAL DA	4	4		
70300100	SHORT TERM PAVEMENT MARKING	FOOT	4844	4844		
70300150	SHORT TERM PAVEMENT MARKING REMOVAL	SO FT	154	154		
* 72501000	TERMINAL MARKER - DIRECT APPLIED	EACH	14	14		
* 78001110	PAINT PAVEMENT MARKING - LINE 4"	FOOT	12900	12900		
* 78100100	RAISED REFLECTIVE PAVEMENT MARKER	EACH	59	59		
* 78200005	GUARDRAIL REFLECTORS, TYPE A	EACH	64	64		

CODE NO	ITEM	UNIT	TOTAL QUANTITIES	CONSTRUCTION TYPE CODE		
				0004		
* A2001016	TREE, ACER RUBRUM (RED MAPLE), 2" CALIPER, BALLED AND BURLAPPED	EACH	55	55		
* A2002316	TREE, BETULA NIGRA (RIVER BIRCH), 2" CALIPER, BALLED AND BURLAPPED	EACH	40	40		
* A2006516	TREE, QUERCUS BICOLOR (SWAMP WHITE OAK), 2" CALIPER, BALLED AND BURLAPPED	EACH	30	30		
* A2006916	TREE, QUERCUS PALUSTRIS (PIN OAK), 2" CALIPER, BALLED AND BURLAPPED	EACH	20	20		
* A2007616	TREE, TAXODIUM DISTICHUM (COMMON BALD CYPRESS), 2" CALIPER, BALLED AND BURLAPPED	EACH	30	30		
* B2000564	TREE, AMELANCHIER CANADENSIS (SHADBLOW SERVICEBERRY), 5' HEIGHT, SHRUB FORM, BALLED AND BURLAPPED	EACH	35	35		
* B2001116	TREE, CERCIS CANADENSIS (EASTERN REDBUD), 2" CALIPER, TREE FORM, BALLED AND BURLAPPED	EACH	35	35		
* B2001364	TREE, CORNUS FLORIDA (FLOWERING DOGWOOD), 5' HEIGHT, CLUMP FORM, BALLED AND BURLAPPED	EACH	20	20		
* D2001560	EVERGREEN, JUNIPERUS VIRGINIANA (EASTERN RED CEDAR), 5' HEIGHT, BALLED AND BURLAPPED	EACH	16	16		

\* SPECIALTY ITEM

REV. 12-21-2017

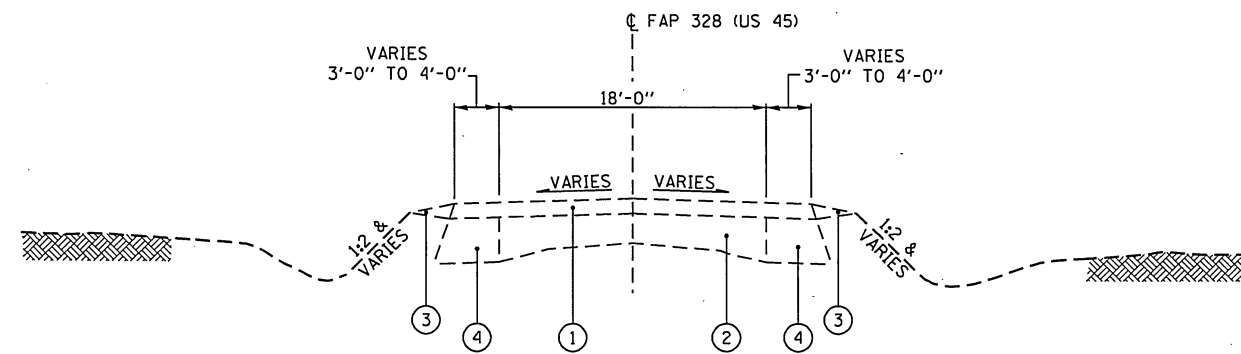
FILE NAME =	USER NAME = staffernk	DESIGNED -	REVISED -
p:\IL084EBIDINTEG\Illinois.gov\PIDOT\Documents\IDOT Offices\District 7\Projects\74723\Drawings\CA\Sheets\0774723-sht-500.dgn		DRAWN -	REVISED -
		CHECKED -	REVISED -
		DATE -	REVISED -

STATE OF ILLINOIS  
DEPARTMENT OF TRANSPORTATION

SUMMARY OF QUANTITIES

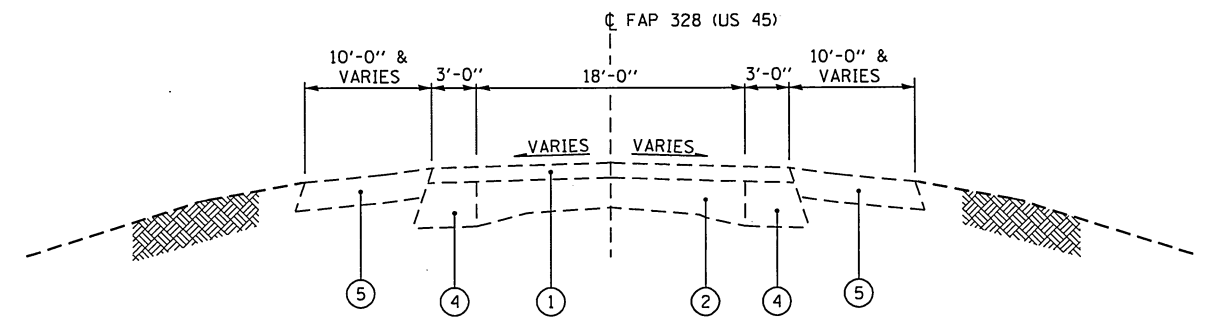
SCALE: SHEET 3 OF 3 SHEETS STA. TO STA.

F.A.P. RTE.	SECTION	COUNTY	TOTAL SHEETS	SHEET NO.
328A	3Y	EFFINGHAM	62	5
			CONTRACT NO. 74723	
ILLINOIS FED. AID PROJECT				



**EXISTING TYPICAL SECTION**

STA 440+34 TO STA 477+08.35 (BK)  
STA 477+50.86 (AH) TO STA 485+00



**EXISTING TYPICAL SECTION**

STA 485+00 TO STA 489+50

**LEGEND**

- ① EXISTING BITUMINOUS SURFACE, 3" MIN
- ② EXISTING PCC PAVEMENT (9"-6"-9")
- ③ EXISTING AGGREGATE SHOULDER
- ④ EXISTING BASE COURSE WIDENING, 9" MIN
- ⑤ EXISTING BITUMINOUS SHOULDER, 8" MIN

REVISOR'S MARK: **1** REVISED SHEET 12-21-2017

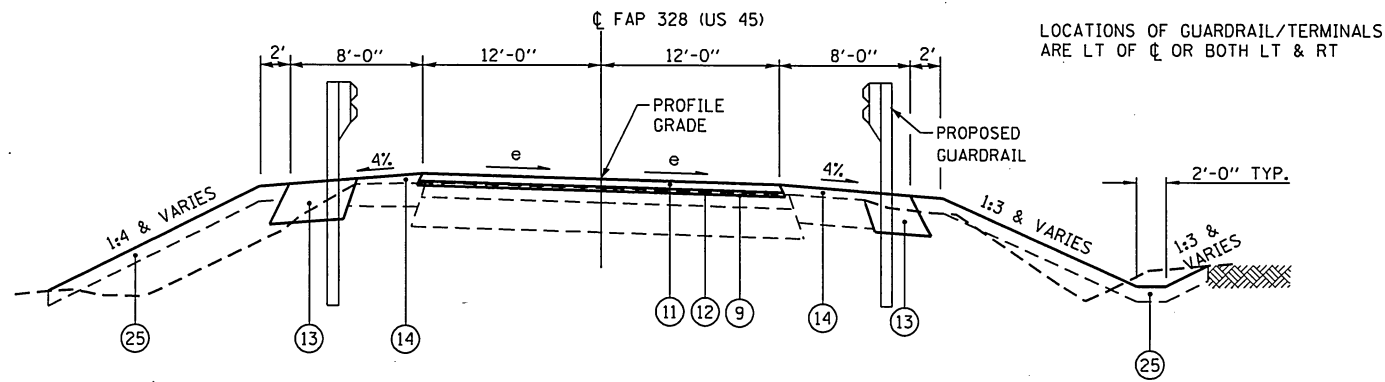
FILE NAME =	USER NAME = steffanmk	DESIGNED -	REVISED -
pw\11084EBID\INTEG.Illinois.gov\PWIDOT\Documents\IDOT Offices\District 7\Projects\74723\Drawings\CAD\Sheets\0774723-sht-typical.dgn		DRAWN -	REVISED -
Default	PLOT SCALE = 10.0000' / in.	CHECKED -	REVISED -
	PLOT DATE = 12/20/2017	DATE -	REVISED -

**STATE OF ILLINOIS  
DEPARTMENT OF TRANSPORTATION**

**EXISTING TYPICAL SECTIONS**

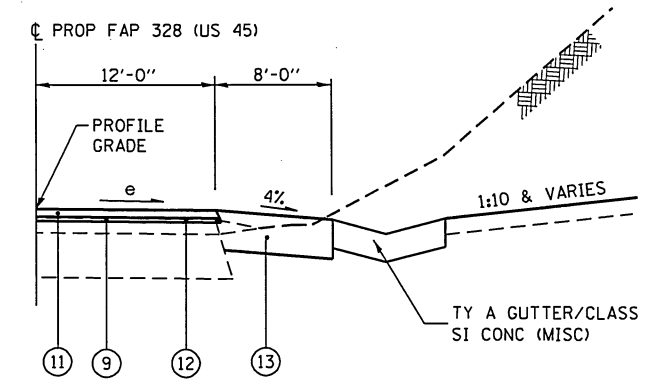
SCALE: SHEET OF SHEETS STA. TO STA.

F.A.P. RTE.	SECTION	COUNTY	TOTAL SHEETS	SHEET NO.
328A	3Y	EFFINGHAM	62	7
CONTRACT NO. 74723			ILLINOIS FED. AID PROJECT	



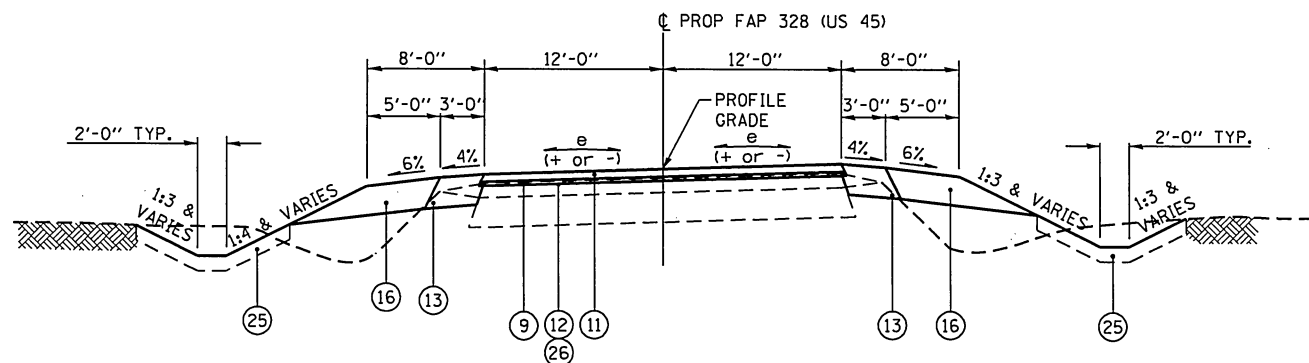
**PROPOSED TYPICAL SUPERELEVATED SECTION W/GUARDRAIL**

STA 440+37 TO STA 441+93 LT  
STA 440+17 TO STA 441+10 RT



**PROPOSED TYPICAL SUPERELEVATED SECTION**

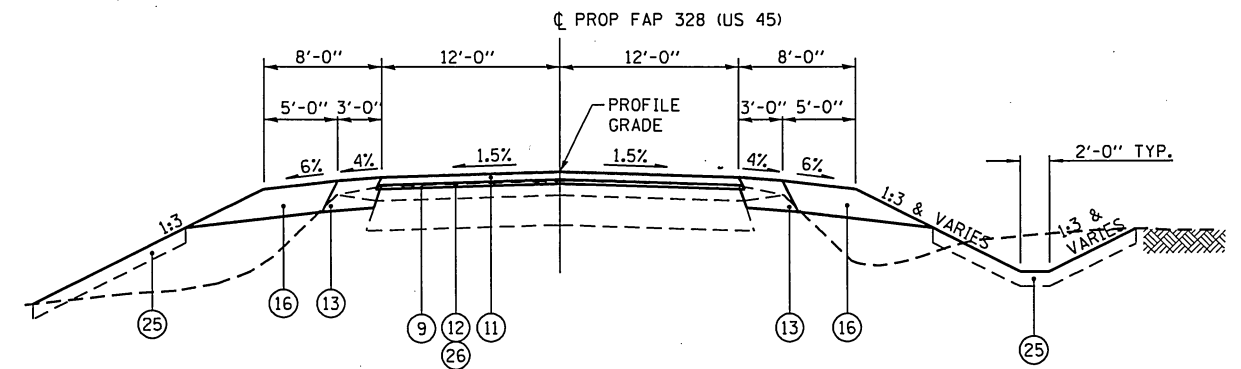
STA 441+10.00 TO STA 444+42 RT



**PROPOSED TYPICAL SUPERELEVATED SECTION**

STA 441+93 TO STA 445+55 LT  
STA 444+42 TO STA 445+55 RT  
STA 484+60 TO STA 485+40

**NOTE:**  
GUARDRAIL:  
LT. STA. 445+08 TO 445+55  
RT. STA. 444+47 TO 445+55  
LT. STA. 484+60 TO 485+40  
RT. STA. 484+60 TO 485+40



**PROPOSED TYPICAL TANGENT SECTION**

STA 445+55 TO STA 448+00  
STA 480+00 TO STA 484+60

**NOTE:**  
GUARDRAIL:  
LT. STA. 445+55 TO 448+00  
RT. STA. 445+55 TO 447+34  
LT. STA. 480+00 TO 484+60  
RT. STA. 483+31 TO 484+60

**LEGEND**

- (9) HOT-MIX ASPHALT SURFACE REMOVAL, 1/2" (NOMINAL)
- (11) HOT-MIX ASPHALT SURFACE COURSE, MIX C, N70, (1 1/2")
- (12) LEVELING BINDER (MACHINE METHOD), N70 FG VARIABLE THICKNESS (3/4" MIN, 2.25" MAX)
- (13) HOT-MIX ASPHALT SHOULDERS, 8"
- (14) HOT-MIX ASPHALT SHOULDERS (VARIABLE DEPTH)
- (15) AGGREGATE WEDGE SHOULDERS, TYPE B
- (16) AGGREGATE SHOULDERS, TYPE B, 8"
- (25) TOPSOIL FURNISH AND PLACE, 4"
- (26) HOT-MIX ASPHALT BINDER COURSE, IL-19.0, N70 (2.25" MIN)

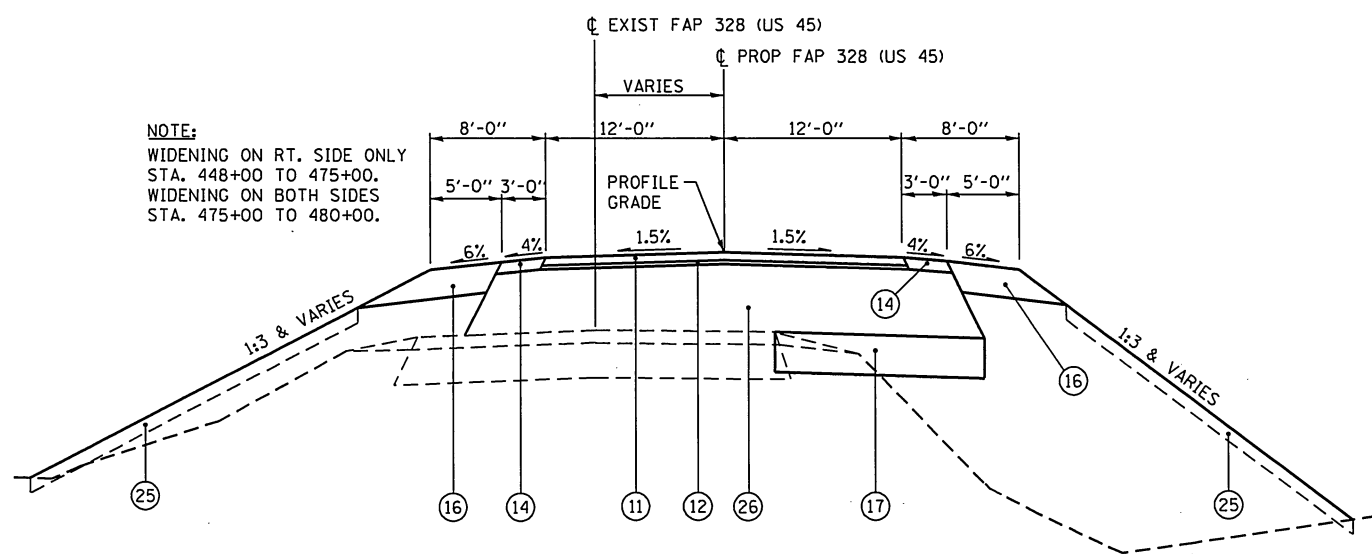
REVISD SHEET 12-21-2017

FILE NAME =	USER NAME = steffennk	DESIGNED -	REVISED -
pw\11084EBID\INTEG.illinois.gov\PIDOT\Documents\DOT Offices\District 7\Projects\74723\Drawings\CAD\Sheets\074723-shr-typical.dwg		DRAWN -	REVISED -
Default	PLOT SCALE = 10.0000' / in.	CHECKED -	REVISED -
	PLOT DATE = 12/20/2017	DATE -	REVISED -

**STATE OF ILLINOIS  
DEPARTMENT OF TRANSPORTATION**

PROPOSED TYPICAL SECTIONS			
SCALE:	SHEET	OF	SHEETS
	STA.	TO	STA.

F.A.P. RTE. 328A	SECTION 3Y	COUNTY EFFINGHAM	TOTAL SHEETS 62	SHEET NO. 8
CONTRACT NO. 74723			ILLINOIS FED. AID PROJECT	

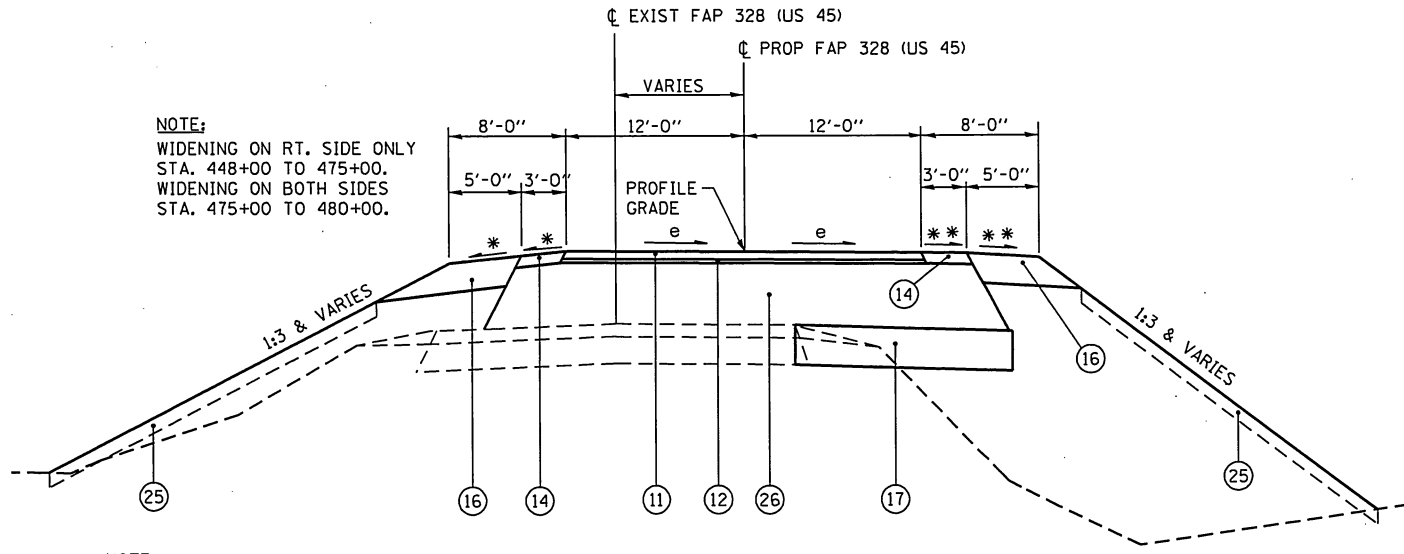


NOTE:  
WIDENING ON RT. SIDE ONLY  
STA. 448+00 TO 475+00.  
WIDENING ON BOTH SIDES  
STA. 475+00 TO 480+00.

NOTE:  
GUARDRAIL:  
LT. STA. 448+00 TO 450+20  
LT. STA. 456+37 TO 467+07  
RT. STA. 460+04 TO 463+04

**PROPOSED REALIGNMENT  
TYPICAL TANGENT SECTION**

STA 448+00 TO STA 467+07  
STA 478+37 TO STA 480+00

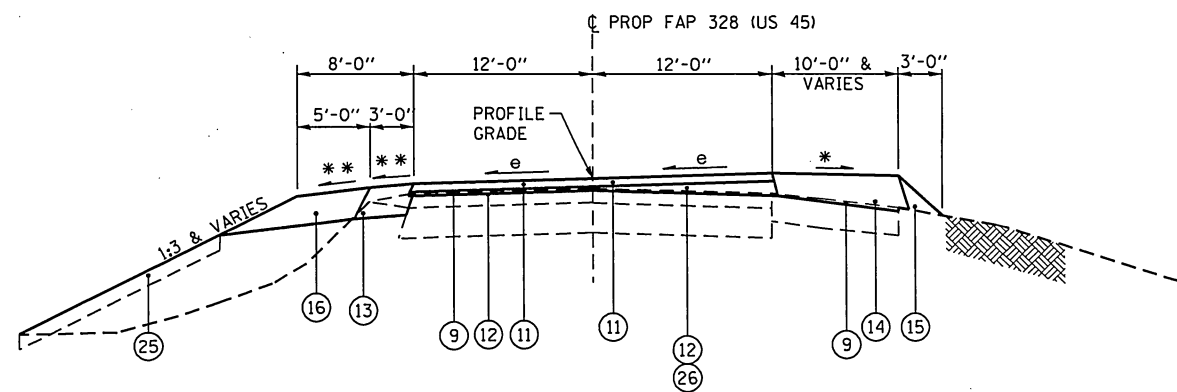


NOTE:  
WIDENING ON RT. SIDE ONLY  
STA. 448+00 TO 475+00.  
WIDENING ON BOTH SIDES  
STA. 475+00 TO 480+00.

NOTE:  
GUARDRAIL:  
LT. STA. 467+07 TO 472+12  
LT. STA. 475+32 TO 478+37

**PROPOSED REALIGNMENT  
TYPICAL SUPERELEVATED SECTION**

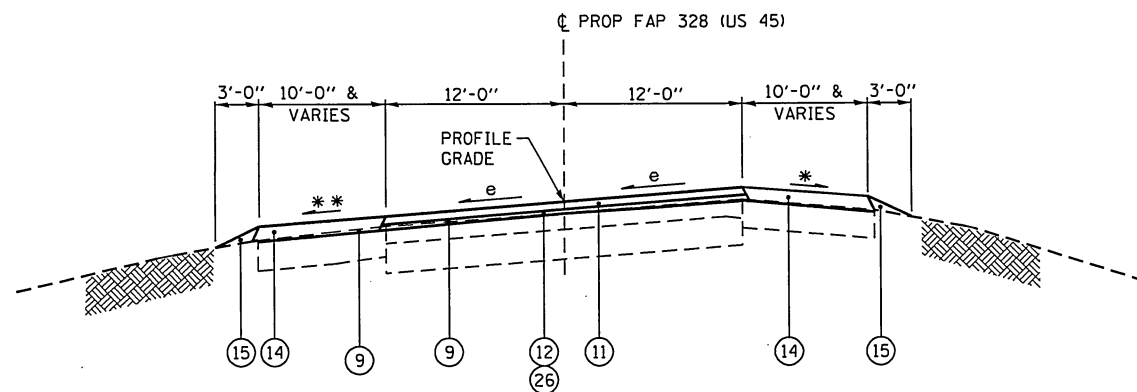
STA 467+07 TO STA 477+08.35 (BK)  
STA 477+50.86 (AH) TO STA 478+37



**PROPOSED TYPICAL SUPERELEVATED SECTION**

GUARDRAIL:  
LT. STA. 485+40 TO 485+83  
RT. STA. 485+40 TO 485+83

STA 485+40 TO STA 485+83



**PROPOSED TYPICAL SUPERELEVATED SECTION**

GUARDRAIL:  
LT. STA. 485+83 TO 486+37  
RT. STA. 485+83 TO 486+06

STA 485+83 TO STA 490+00

- \* WHEN THE SUPERELEVATION RATE OF THE PAVEMENT IS BETWEEN 0% AND 2%, THE SHOULDER SLOPES SHALL BE 4% AND 6%. WHEN THE SUPERELEVATION RATE OF THE PAVEMENT EXCEEDS 2%, THE AGGREGATE SHOULDER SHALL BE SLOPED SO THAT THE ALGEBRAIC DIFFERENCE BETWEEN PAVEMENT AND AGGREGATE SHOULDER SLOPE IS NOT GREATER THAN 8%.
- \*\* THE SHOULDER SLOPES SHALL BE THE SAME AS THE SUPERELEVATION RATE OF THE PAVEMENT AFTER THE PAVEMENT EXCEEDS THE STANDARD SHOULDER SLOPES.

**LEGEND**

- ⑨ HOT-MIX ASPHALT SURFACE REMOVAL, 1/2" (NOMINAL)
- ⑪ HOT-MIX ASPHALT SURFACE COURSE, MIX C, N70, (1 1/2")
- ⑫ LEVELING BINDER (MACHINE METHOD), N70 FG VARIABLE THICKNESS (3/4" MIN, 2.25" MAX)
- ⑬ HOT-MIX ASPHALT SHOULDERS, 8"
- ⑭ HOT-MIX ASPHALT SHOULDERS (VARIABLE DEPTH)
- ⑮ AGGREGATE WEDGE SHOULDERS, TYPE B
- ⑯ AGGREGATE SHOULDERS, TYPE B, 8"
- ⑰ PCC BASE COURSE WIDENING, 8"
- ⑳ TOPSOIL FURNISH AND PLACE, 4"
- ㉑ HOT-MIX ASPHALT BINDER COURSE, IL-19.0, N70 (2.25" MIN)

1 REVISED SHEET 12-21-2017

FILE NAME =	USER NAME = steffennk	DESIGNED -	REVISED -	<b>STATE OF ILLINOIS DEPARTMENT OF TRANSPORTATION</b>	<b>PROPOSED TYPICAL SECTIONS</b>	F.A.P. RTE. =	SECTION =	COUNTY =	TOTAL SHEETS =	SHEET NO. =	
PH:\IL084EBIDINTEG\Illinois.gov\PIDOT\Documents\IDOT Offices\District 7\Projects\74723\Drawings\CADsheets\0774723-shr-typical.dwg	PLT SCALE = 10.0000' / 1"	CHECKED -	REVISED -			328A	3Y	EFFINGHAM	62	9	
Default	PLT DATE = 12/20/2017	DATE -	REVISED -			CONTRACT NO. 74723					
						ILLINOIS FED. AID PROJECT					

PAVING SCHEDULE

LOCATION	TOTAL ROADWAY WIDTH	LENGTH	AREA	HMA SURFACE REMOVAL - BUTT JOINT	TEMPORARY RAMP	HMA SURFACE REMOVAL 1/2" IN	BITUMINOUS MATERIALS (TACK COAT)	LEVELING BINDER (MM) N 70	HMA BINDER CSE. IL 19, N70	HMA SURF CSE MIX "C", N 70
	FT	FT	SQ YD	SO YD	SO YD	SO YD	POUND	TON	TON	TON
STA. 440 + 27 TO 440 + 57	34	30	113	113	19		51			9
STA. 440 + 57 TO 440 + 77	34	20	76			76	34			5
STA. 440 + 77 TO 442 + 66	34	189	714			714	482	21		42
STA. 442 + 66 TO 444 + 60	25	194	539			539	364	23		43
STA. 444 + 60 TO 444 + 95	25	35	97				87	4		8
STA. 444 + 95 TO 477 + 08	25	3213	8925				15741	376	9576	720
STATION EQUATION										
STA. 477 + 50 TO 480 + 80	25	330	917				1791	39	1255	74
STA. 480 + 80 TO 481 + 10	25	30	83				56	4		7
STA. 481 + 10 TO 486 + 50	25	540	1500			1500	1012	63		122
STA. 486 + 50 TO 486 + 70	25	20	56			56	25			5
STA. 486 + 70 TO 487 + 00	25	30	83	147	24		37			7
<b>TOTALS</b>				<b>260</b>	<b>43</b>	<b>2,885</b>	<b>19,680</b>	<b>529</b>	<b>10,831</b>	<b>1,042</b>

LEFT SHOULDER SCHEDULE	WIDTH FEET	AGGREGATE WEDGE SHOULDERS, TYPE B TON	AGGREGATE SHOULDERS, TYPE B 8" S. Y.	HMA SHOULDERS TON	HMA SHOULDERS 8" S. Y.
LT STA 440+38 TO STA 442+00	4				72
LT STA 441+92 TO STA 442+67	3		25		
LT STA 442+67 TO STA 445+07	5		133		
LT STA 442+67 TO STA 443+00	VAR.			15	
LT STA 443+00 TO STA 445+01	3			67	
LT STA 445+01 TO STA 450+26	6			350	
LT STA 445+07 TO STA 450+20	2		114		
LT STA 450+26 TO STA 451+00	3			25	
LT STA 450+20 TO STA 456+42	5		346		
LT STA 451+00 TO STA 456+36	3			23	
LT STA 456+36 TO STA 472+24	6			133	
LT STA 456+42 TO STA 473+18	2		372		
LT STA 472+24 TO STA 475+26	3			13	
LT STA 475+26 TO STA 480+20	6			42	
LT STA 473+65 TO STA 477+08	5		191		
STATION EQUATION					
LT STA 477+50 TO STA 483+80	5		350		
LT STA 483+80 TO STA 486+40	2		58		
LT STA 480+20 TO STA 485+19	6				354
LT STA 485+19 TO STA 487+00	VAR.			21	78
LT STA 486+00 TO STA 487+00	3	6			
<b>TOTALS</b>		<b>6</b>	<b>1589</b>	<b>232</b>	<b>961</b>

RIGHT SHOULDER SCHEDULE	WIDTH FEET	AGGREGATE WEDGE SHOULDERS, TYPE B TON	AGGREGATE SHOULDERS, TYPE B 8" S. Y.	HMA SHOULDERS TON	HMA SHOULDERS 8" S. Y.
RT STA 440+16 TO STA 442+65	3				83
RT STA 442+65 TO STA 444+46	8				161
RT STA 444+46 TO STA 447+40	6				196
RT STA 444+42 TO STA 447+34	2		65		
RT STA 447+40 TO STA 448+00	3				20
RT STA 447+34 TO STA 459+98	5		702		
RT STA 459+98 TO STA 463+04	2		68		
RT STA 463+04 TO STA 473+21	5		565		
RT STA 448+00 TO STA 459+98	3			50	
RT STA 459+98 TO STA 463+04	6			26	
RT STA 463+04 TO STA 480+20	3			72	
RT STA 473+65 TO STA 477+08	5		191		
STATION EQUATION					
RT STA 477+50 TO STA 483+30	5		322		
RT STA 483+30 TO STA 485+40	2		47		
RT STA 480+20 TO STA 483+30	3				103
RT STA 483+30 TO STA 485+40	6				140
RT STA 485+40 TO STA 487+00	VAR.			33	
RT STA 485+40 TO STA 487+00	3	9			
<b>TOTALS</b>		<b>9</b>	<b>1960</b>	<b>181</b>	<b>703</b>

SURVEY MARKERS	PROTECTING OR RESETTING SURVEY MARKERS	SURVEY MARKER VAULT	PERMANENT SURVEY MARKER TYPE 1	PERMANENT SURVEY MARKER TYPE 2
	EACH	EACH	EACH	EACH
STA 442+01.44	1	1		
STA 444+85.21	1	1		
STA 449+71.06	1	1		
STA 454+56.90	1	1		
STA 467+92.77	1	1	1	
STA 472+51.52	1	1		1
STA 477+08.35	1	1	1	
STA 485+66.07	1	1		
<b>TOTALS</b>	<b>8</b>	<b>8</b>	<b>2</b>	<b>1</b>

1 REVISED SHEET 12-21-2017

GUARDRAIL SCHEDULE	STEEL PLATE BEAM GUARDRAIL, TYPE A, 6 FOOT POSTS	LONG-SPAN GUARDRAIL OVER CULVERT 12 FT 6 IN	TRAFFIC BARRIER TERMINAL, TYPE 1 SPECIAL (TANGENT)	TRAFFIC BARRIER TERMINAL, TYPE 1 SPECIAL (FLARED)	TRAFFIC BARRIER TERMINAL, TYPE 6	GUARDRAIL REFLECTORS, TYPE A	TERMINAL MARKER, DIRECT APPLIED
	FT	FT	EACH	EACH	EACH	EACH	EACH
RT STA 440+17 TO STA 440+60					1	4	1
RT STA 440+60 TO STA 441+10			1				
LT STA 440+37 TO STA 440+80					1	3	
LT STA 440+80 TO STA 441+43	62.5					1	
LT STA 441+43 TO STA 441+93			1				1
RT STA 444+47 TO STA 444+97			1				1
RT STA 444+97 TO STA 446+02	105					4	
RT STA 446+02 TO STA 446+40		37.5					
RT STA 446+40 TO STA 446+85	45					1	
RT STA 446+85 TO STA 447+35			1				1
LT STA 445+08 TO STA 445+58			1				1
LT STA 445+58 TO STA 446+05	47					2	
LT STA 446+05 TO STA 446+42		37.5					
LT STA 446+42 TO STA 449+70	328					5	
LT STA 449+70 TO STA 450+20			1				1
LT STA 456+37 TO STA 456+87			1				1
* LT STA 456+87 TO STA 471+62	1475					21	
LT STA 471+62 TO STA 472+12			1				1
RT STA 460+04 TO STA 460+54			1				1
* RT STA 460+54 TO STA 462+54	200					3	
RT STA 462+54 TO STA 463+04			1				1
LT STA 475+32 TO STA 475+82			1				1
* LT STA 475+82 TO STA 485+99	975					15	
LT STA 485+99 TO STA 486+37				1			1
RT STA 483+31 TO STA 483+81			1				1
RT STA 483+81 TO STA 485+68	187.5					5	
RT STA 485+68 TO STA 486+06				1			1
<b>TOTALS</b>	<b>3425</b>	<b>75</b>	<b>12</b>	<b>2</b>	<b>2</b>	<b>64</b>	<b>14</b>

RIGHT OF WAY MARKERS		
STA. 439+16.84	60.00' LT.	1 EACH
STA. 439+16.84	60.00' RT.	1 EACH
STA. 444+85.21	60.00' LT.	1 EACH
STA. 444+85.21	60.00' RT.	1 EACH
STA. 446+52.00	60.00' LT.	1 EACH
STA. 447+00.00	50.00' LT.	1 EACH
STA. 447+50.00	60.00' RT.	1 EACH
STA. 448+50.00	50.00' RT.	1 EACH
STA. 450+00.00	50.00' LT.	1 EACH
STA. 451+00.00	55.00' LT.	1 EACH
STA. 452+00.00	55.00' LT.	1 EACH
STA. 453+00.00	50.00' LT.	1 EACH
STA. 454+56.90	50.00' LT.	1 EACH
STA. 454+56.90	50.00' RT.	1 EACH
STA. 461+40.00	50.00' LT.	1 EACH
STA. 461+75.00	65.00' LT.	1 EACH
STA. 462+00.00	65.00' LT.	1 EACH
STA. 462+30.00	50.00' LT.	1 EACH
STA. 464+50.00	50.00' RT.	1 EACH
STA. 466+50.00	60.00' RT.	1 EACH
STA. 467+92.77	50.00' LT.	1 EACH
STA. 467+92.77	60.00' RT.	1 EACH
STA. 468+50.00	60.00' RT.	1 EACH
STA. 469+50.00	60.00' LT.	1 EACH
STA. 469+60.00	80.00' RT.	1 EACH
STA. 470+70.00	80.00' RT.	1 EACH
STA. 470+95.00	60.00' LT.	1 EACH
STA. 471+00.00	70.00' RT.	1 EACH
STA. 471+30.00	75.00' LT.	1 EACH
STA. 471+50.00	75.00' LT.	1 EACH
STA. 472+00.00	37.67' LT.	1 EACH
STA. 472+88.65	70.00' RT.	1 EACH
STA. 473+18.74	35.69' LT.	1 EACH
STA. 473+65.65	95.11' RT.	1 EACH
STA. 102+75.00 *	20.00' RT.	1 EACH
<b>TOTAL</b>		<b>35 EACH</b>

\* township road 500N stationing

PCC BASE COURSE WIDENING 8"	
LEFT STATION	WIDTH (FT)
475+00	2.75
476+00	8.65
477+00	9.60
478+00	9.33
479+00	7.93
480+00	7.00
RIGHT STATION	WIDTH (FT)
448+00	4.00
449+00	4.50
450+00	4.90
451+00	5.58
452+00	6.35
453+00	7.16
454+00	7.89
455+00	8.73
456+00	9.62
457+00	10.52
458+00	11.38
459+00	12.44
460+00	13.39
461+00	15.84
462+00	17.77
463+00	18.57
464+00	16.93
465+00	17.63
466+00	18.47
467+00	19.20
468+00	19.71
469+00	19.12
470+00	17.54
471+00	15.31
472+00	12.15
473+00	9.51
474+00	7.61
475+00	6.80
476+00	6.19
477+00	5.93
478+00	5.96
479+00	5.19
480+00	4.01

PAVEMENT REMOVAL	
LEFT STATION	WIDTH (FT)
453+00	0.00
454+00	0.95
455+00	1.87
456+00	2.86
457+00	1.35
458+00	1.90
459+00	3.02
460+00	3.75
461+00	4.44
462+00	5.16
463+00	6.71
464+00	6.95
465+00	8.40
466+00	9.18
467+00	3.71
468+00	0.00
471+00	0.00
472+00	3.46
473+00	2.59
473+15	2.60

GUARDRAIL REMOVAL	
RT. STA. 440+18 TO 440+70	52 FOOT
LT. STA. 440+37 TO 443+00	263 FOOT
LT. STA. 445+19 TO 447+20	201 FOOT
RT. STA. 445+18 TO 447+19	201 FOOT
LT. STA. 460+84 TO 462+84	200 FOOT
RT. STA. 460+83 TO 462+83	200 FOOT
<b>TOTAL</b>	<b>1117 FOOT</b>

PIPE CULVERT REMOVAL	
RT. STA. 472+10 TO 472+30	20 FEET
LT. STA. 101+49 TO 101+73	24 FEET
<b>TOTAL</b>	<b>44 FEET</b>

ROCK FILL - EMBANKMENT	
RT. STA. 454+50 TO 460+50	979 TON
RT. STA. 463+50 TO 469+50	1940 TON
<b>TOTAL</b>	<b>2919 TON</b>

STONE RIPRAP, CLASS A3	
LT. & RT. STA. 446+21	57 S.Y.
LT. & RT. STA. 461+84	23 S.Y.
LT. & RT. STA. 471+42	23 S.Y.
LT. & RT. STA. 476+69	9 S.Y.
LT. & RT. STA. 485+19	33 S.Y.
<b>TOTAL</b>	<b>145 S.Y.</b>

CONCRETE GUTTER, TYPE A	
RT. STA. 441+04 TO 441+20	16 FOOT
RT. STA. 441+51 TO 444+05	254 FOOT
<b>TOTAL</b>	<b>270 FOOT</b>

CONCRETE GUTTER, TYPE B (SPECIAL)	
LT. STA. 101+13 TO 101+50	37 FOOT
LT. STA. 101+77 TO 102+00	23 FOOT
<b>TOTAL</b>	<b>60 FOOT</b>

CLASS SI CONCRETE (OUTLET)	
RT. STA. 440+48 TO 441+04	4.7 C. Y.
RT. STA. 441+20 TO 441+51	4.2 C. Y.
RT. STA. 444+05 TO 444+75	5.9 C. Y.
LT. STA. 100+50 TO 101+13	4.0 C. Y.
LT. STA. 101+50 TO 101+77	1.9 C. Y.
LT. STA. 102+00 TO 102+12	0.6 C. Y.
<b>TOTAL</b>	<b>21.3 C. Y.</b>

\*500N STATIONING

REVISED SHEET 12-21-2017

EARTHWORK SCHEDULE					
LOCATION	EARTH EXCAVATION CU. YD.	EXCAVATION TO BE USED IN EMBANKMENT ADJUSTED FOR SHRINKAGE CU. YD.	EMBANKMENT CU. YD.	EARTHWORK BALANCE WASTE(+) SHORTAGE(-) CU. YD.	TOPSOIL EXCAVATION AND PLACEMENT CU. YD.
US 45	11824	8868	20434	-11566	2657
500N	900	675	11	664	96
<b>TOTALS</b>	<b>12724</b>	<b>9543</b>	<b>20445</b>	<b>-10902</b>	<b>2753</b>

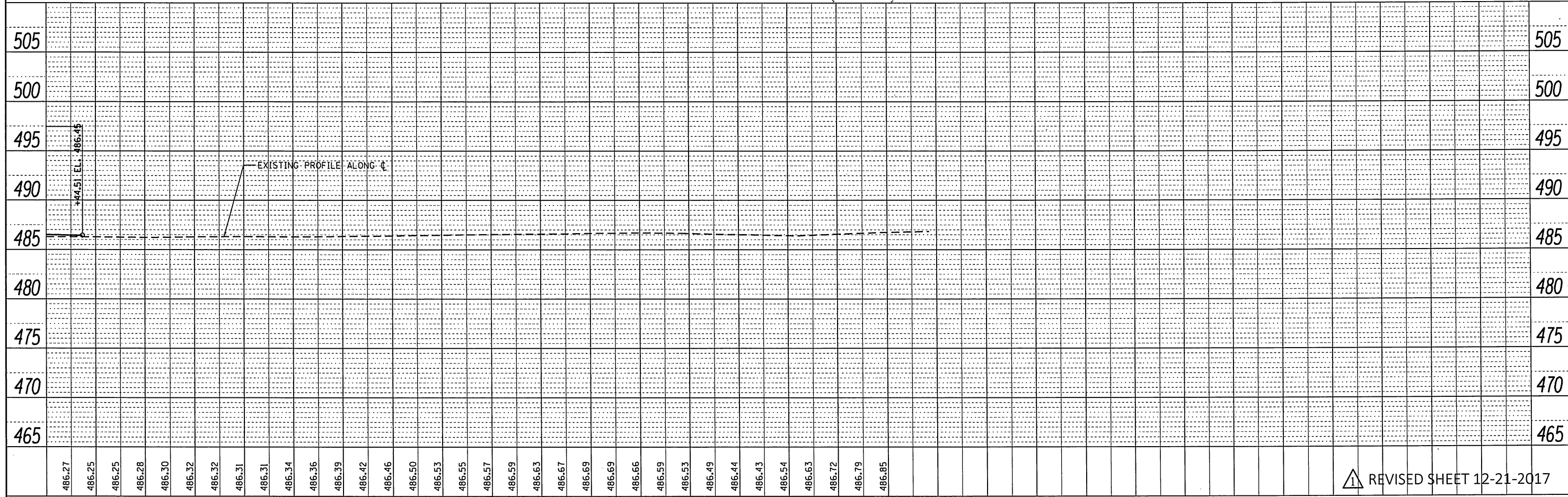
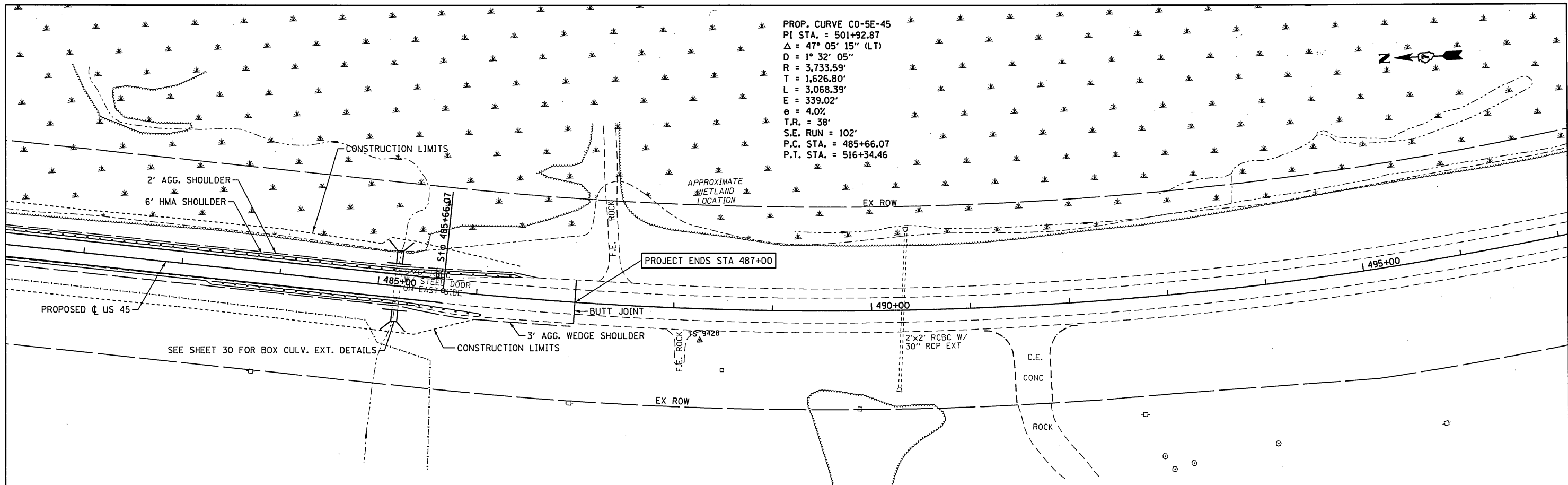
\*SOME OR ALL POSTS IN IMPERVIOUS MATERIAL - SEE SHEET 4 OF STANDARD 630001 LENGTHS OF TYPE 1 TERMINALS (TANGENT) ASSUME 12.5' OF BREAKAWAY





DATE	
BY	
SUBMITTED	
PLOTTED	
FILED	
NOTE BOOK	
NO.	
CADD FILE NAME	
NO.	

DATE	
BY	
SUBMITTED	
PLOTTED	
FILED	
NOTE BOOK	
NO.	
STRUCTURE NOTATION	
NO.	

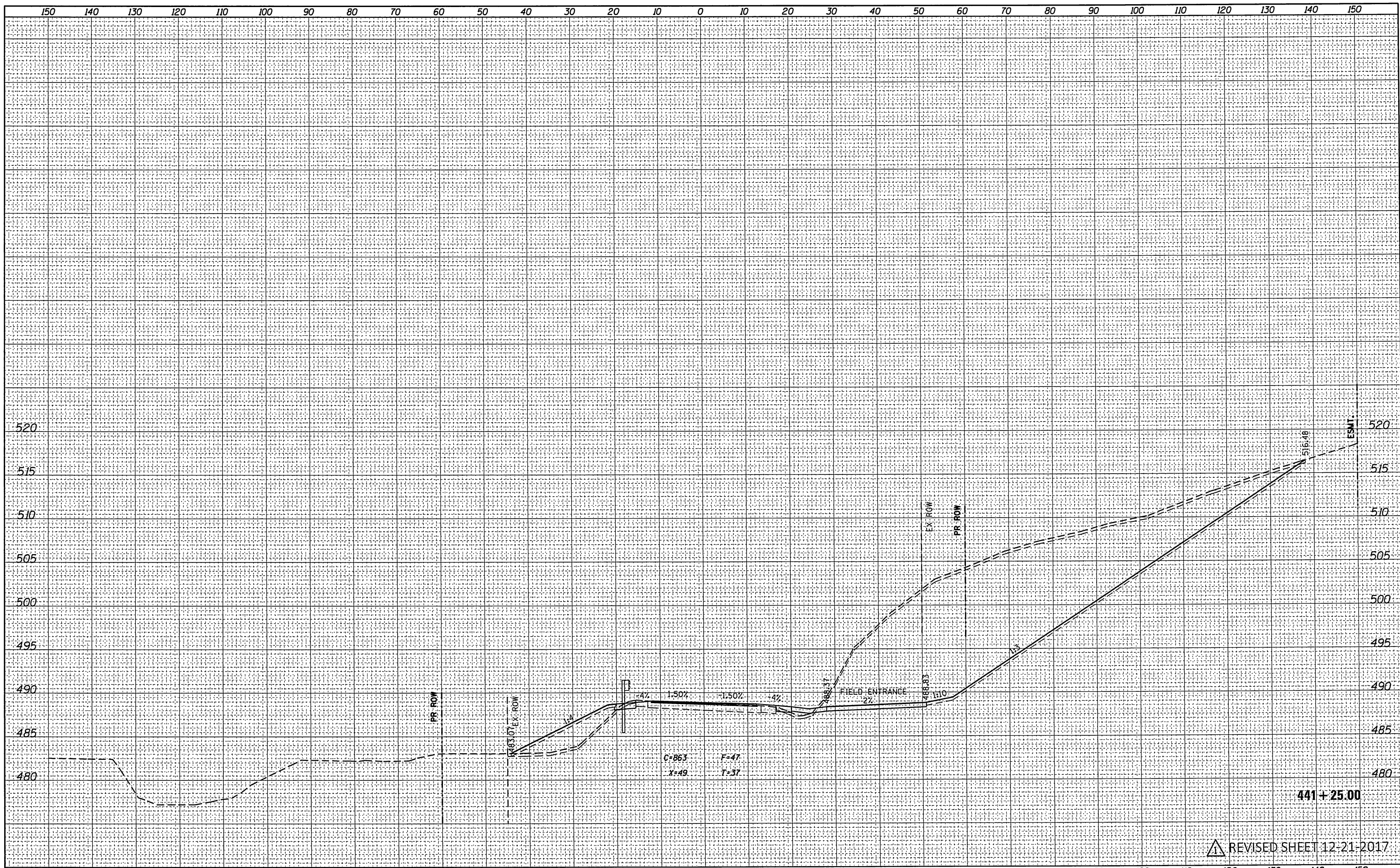


1 REVISED SHEET 12-21-2017

FILE NAME =	USER NAME = staffnmk	DESIGNED -	REVISED -	<b>STATE OF ILLINOIS</b> <b>DEPARTMENT OF TRANSPORTATION</b>	<b>PLAN &amp; PROFILE</b>	F.A.P. RTE. =	SECTION	COUNTY	TOTAL SHEETS	SHEET NO.
per\\IL084EBIDINTEG\illinois.gov\PIDOT\Documents\DOT Offices\District 7\Projects\74723\DRAWN\CADsheets\0774723-sht-plnprf.dwg		DRAWN -	REVISED -			328A	3Y	EFFINGHAM	62	18
Default	PLOT SCALE = 100.0000' / in.	CHECKED -	REVISED -			CONTRACT NO. 74723		ILLINOIS FED. AID PROJECT		
	PLOT DATE = 12/20/2017	DATE -	REVISED -			SCALE:	SHEET OF SHEETS	STA. TO STA.		

FINAL	SURVEYED	DATE
SURVEY	PLOTTED	BY
NOTE BOOK	TEMPLATE	
AREAS	CHECKED	
NO.		

ORIGINAL	SURVEYED	DATE
SURVEY	PLOTTED	BY
NOTE BOOK	TEMPLATE	
AREAS	CHECKED	
NO.		



**STATE OF ILLINOIS  
DEPARTMENT OF TRANSPORTATION**

**CROSS SECTIONS  
US 45**

FILE NAME =	USER NAME = steffanmk	DESIGNED -	REVISED -
p:\1\084EBID\INTEG\Illinois.gov\PI\DOT\Documents\DOT Offices\District 7\Projects\74723\CADD\Drawings\sheet\0774723-sht-ssht-ALT2.dgn		DRAWN -	REVISED -
Default	PLOT SCALE = 20.0000' / 1in.	CHECKED -	REVISED -
	PLOT DATE = 12/20/2017	DATE -	REVISED -

SCALE: SHEET OF SHEETS STA. 441+25.00 TO STA. 441+25.00

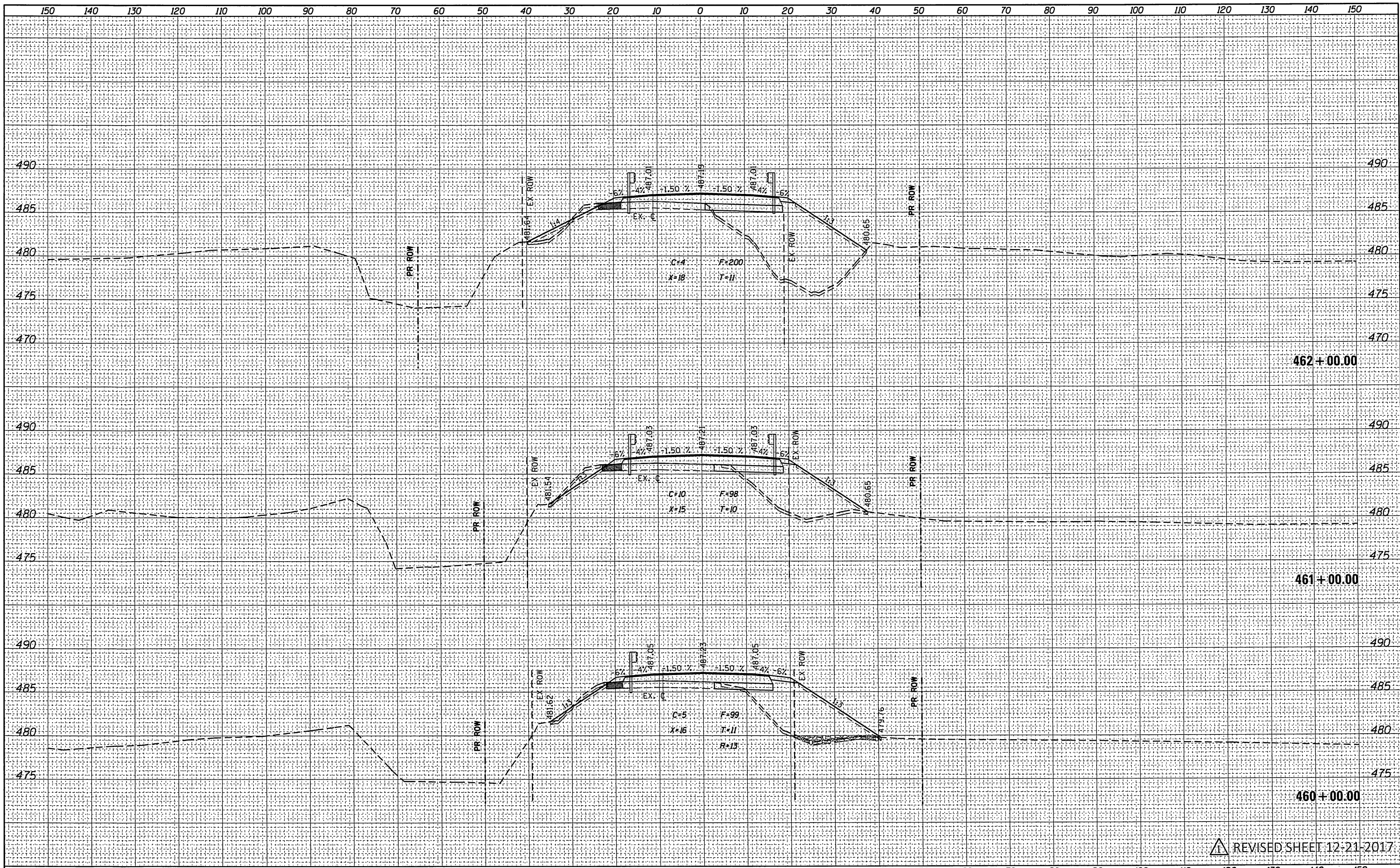
F.A.P. RTE.	SECTION	COUNTY	TOTAL SHEETS	SHEET NO.
328A	3Y	EFFINGHAM	62	33
CONTRACT NO. 74723			ILLINOIS FED. AID PROJECT	

REVISI<sup>ON</sup> SHEET 12-21-2017



FINISH	TURNED	BY	DATE
SURVEY	IN		
NOTE BOOK	PLotted		
AREAS	TEMPLATE		
CHECKED	AREAS		
NO.	CHECKED		

ORIGINAL	TURNED	BY	DATE
SURVEY	IN		
NOTE BOOK	PLotted		
AREAS	TEMPLATE		
CHECKED	AREAS		
NO.	CHECKED		

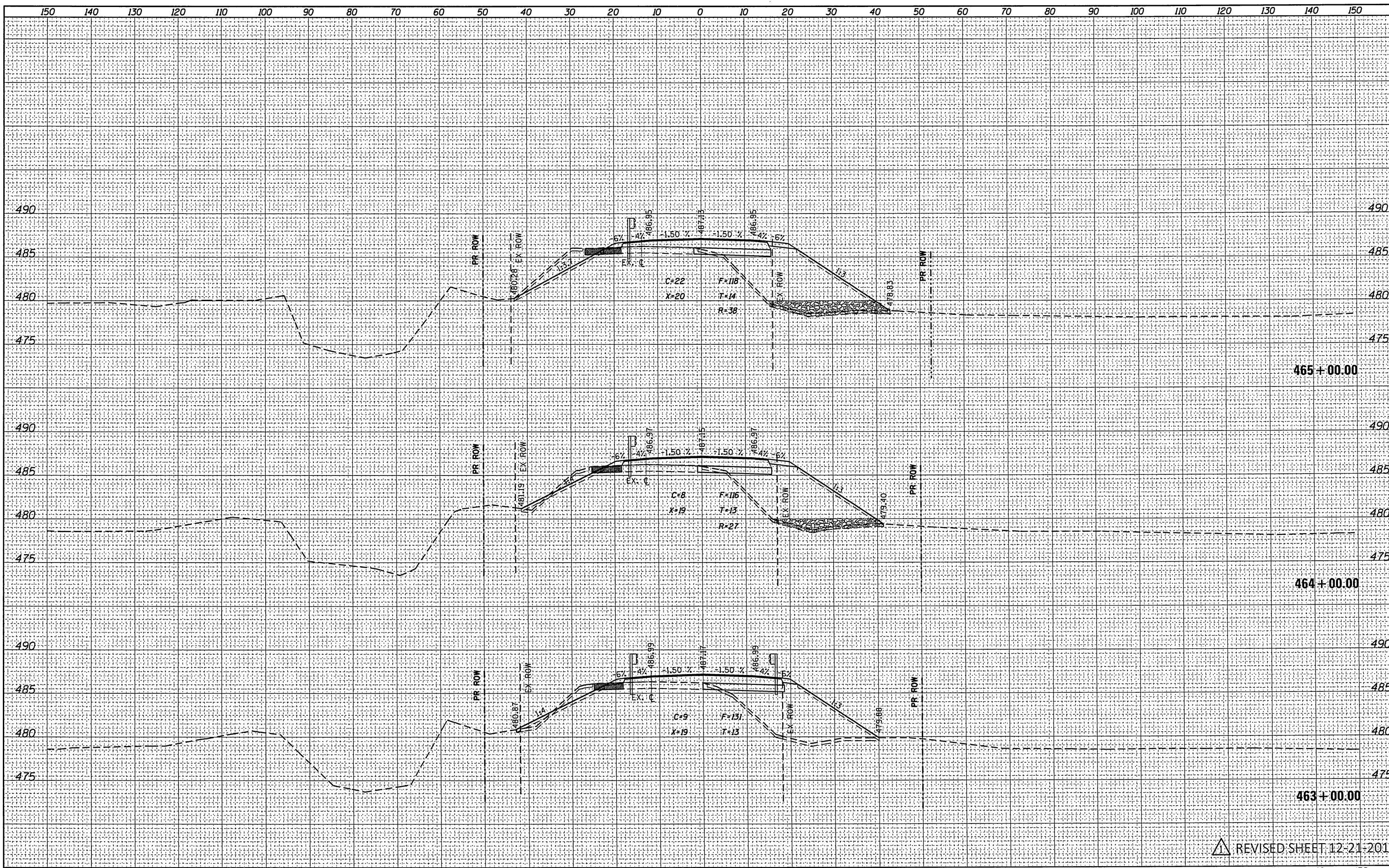


REVISID SHEET 12-21-2017

FILE NAME =	USER NAME = staffnmk	DESIGNED -	REVISED -	<b>STATE OF ILLINOIS</b> <b>DEPARTMENT OF TRANSPORTATION</b>	<b>CROSS SECTIONS</b> <b>US 45</b>			F.A.P. RTE.	SECTION	COUNTY	TOTAL SHEETS	SHEET NO.
p:\11\084EBIDINTEG\Illinois.gov\PIDOT\Documents\DOT Offices\District 7\Projects\74723\CADD\Drawings\74723-sht-xasht-ALT2.dgn	DDOT	DRAWN	REVISED		328A	3Y	EFFINGHAM	62	46			
Default	PLOT SCALE = 20.0000' / 1" =	CHECKED -	REVISED -		SCALE:	SHEET	OF	SHEETS	STA. 460+00.00 TO STA. 462+00.00	CONTRACT NO. 74723	ILLINOIS FED. AID PROJECT	
	PLOT DATE = 12/20/2017	DATE -	REVISED -									

FINAL SURVEY SURVEYED BY DATE  
 PLOTTED  
 NOTE BOOK TEMPLATE  
 AREAS CHECKED

ORIGINAL SURVEY SURVEYED BY DATE  
 PLOTTED  
 NOTE BOOK TEMPLATE  
 AREAS CHECKED

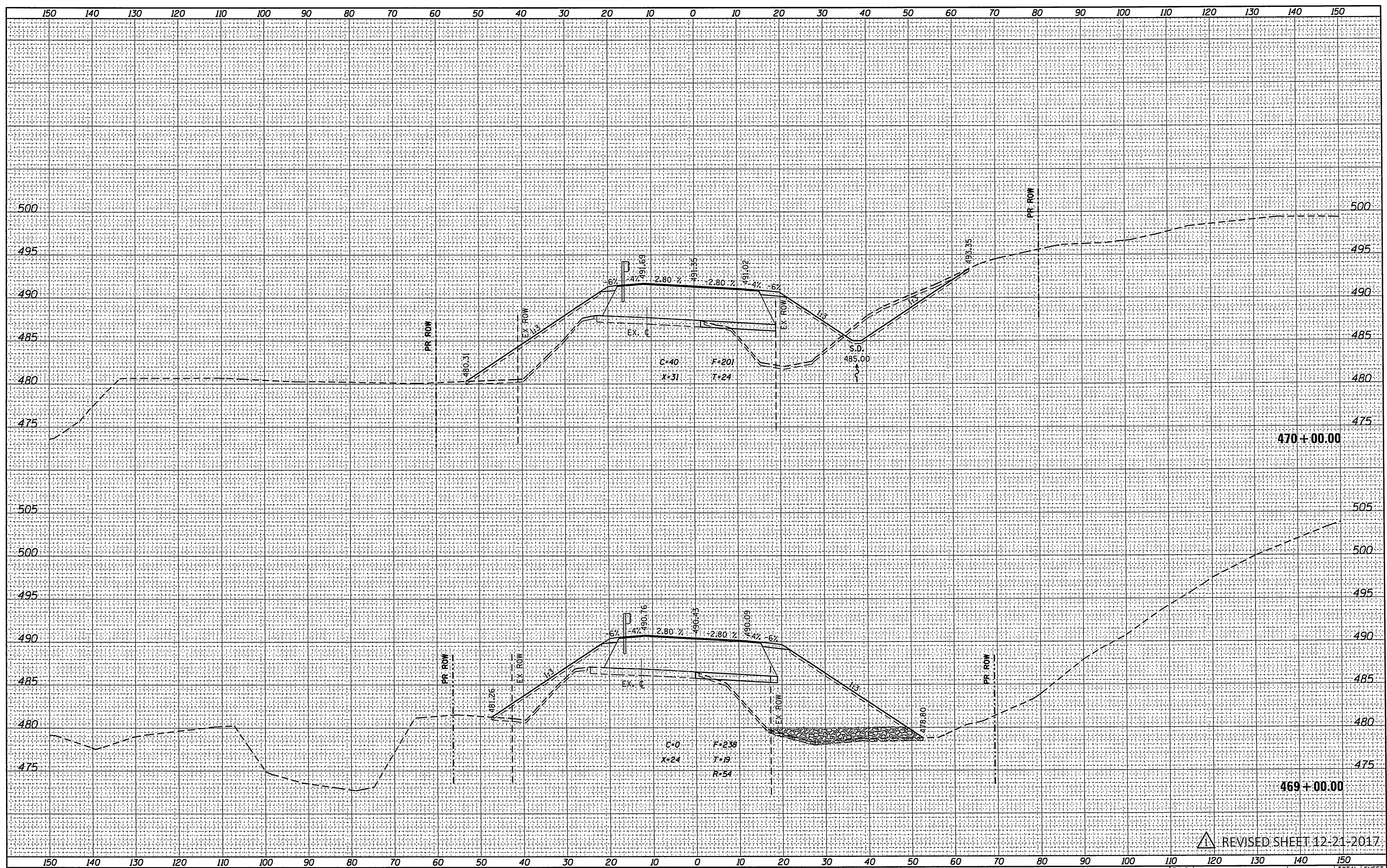


REVISOR: [Symbol] REVISED SHEET 12-21-2017

FILE NAME =	USER NAME = stoffennk	DESIGNED -	REVISED -	<b>STATE OF ILLINOIS DEPARTMENT OF TRANSPORTATION</b>	<b>CROSS SECTIONS US 45</b>			F.A.P. RTE. 328A	SECTION 3Y	COUNTY EFFINGHAM	TOTAL SHEETS 62	SHEET NO. 47
Default	DOT Offices\District 7\Projects\74723\CADD\Drawn\Sheets\074723-shr-xsh-ALT2.dgn	CHECKED -	REVISED -		SCALE:	SHEET	OF	SHEETS	CONTRACT NO. 74723	ILLINOIS FED. AID PROJECT		
	PLOT SCALE = 20.0000' / in.	DATE -	REVISED -		STA. 463+00.00	TO	STA. 465+00.00					
	PLOT DATE = 12/20/2017		REVISED -									

BY	DATE

ORIGINAL SURVEY	SURVEYED
NOTE BOOK	PLOTTED
NO.	TEMPLATE
	AREAS
	CHECKED



REVISOR: [Signature] REVISION: [Signature] DATE: 12-21-2017

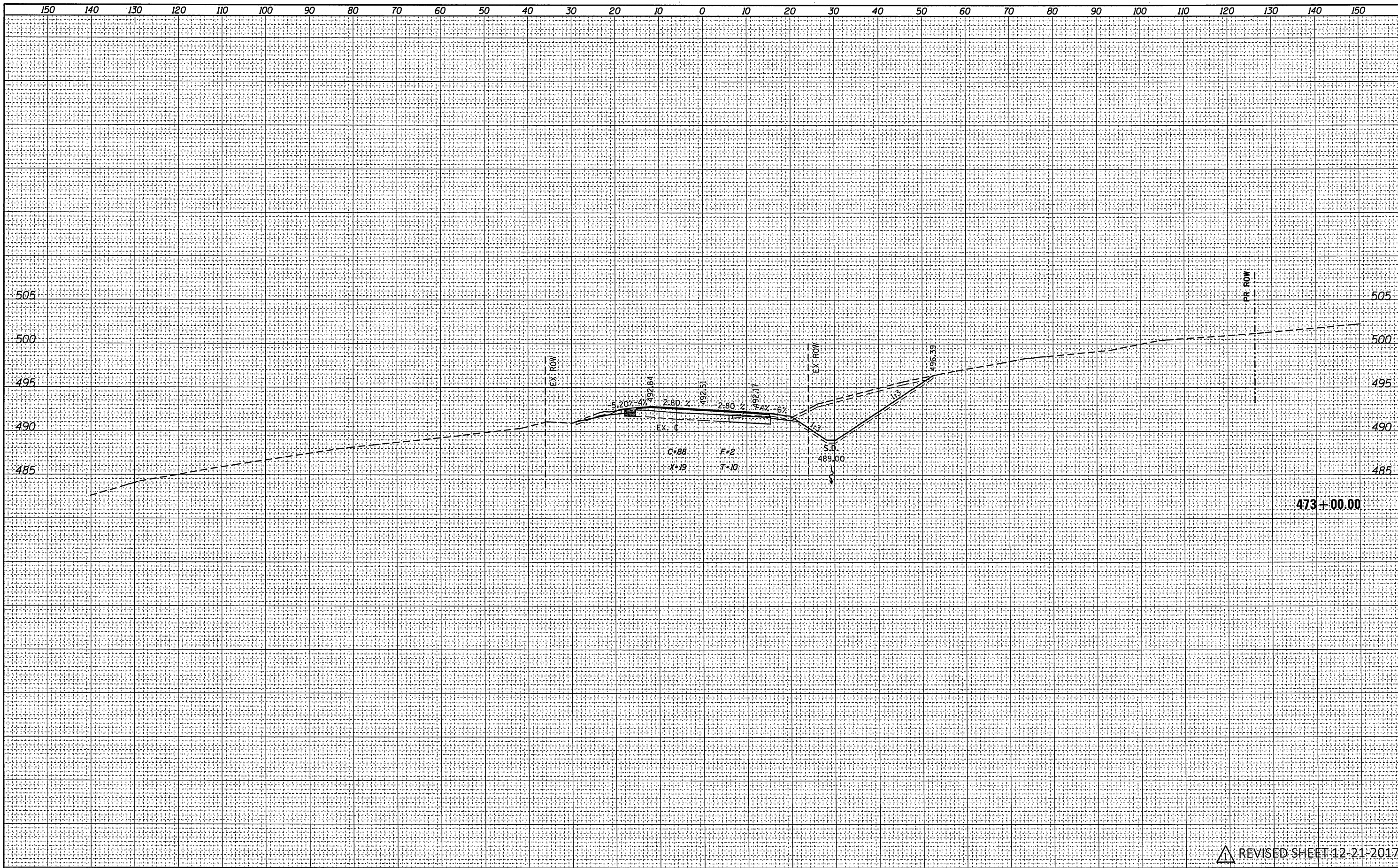
FILE NAME =	USER NAME = staffnmk	DESIGNED -	REVISED -	<b>STATE OF ILLINOIS DEPARTMENT OF TRANSPORTATION</b>	<b>CROSS SECTIONS US 45</b>		F.A.P. RTE. 328A	SECTION 3Y	COUNTY EFFINGHAM	TOTAL SHEETS 62	SHEET NO. 49	
		DRAWN -	REVISED -		SCALE:	SHEET	OF	SHEETS	STA. 469+00.00 TO STA. 470+00.00	CONTRACT NO. 74723		
		CHECKED -	REVISED -		ILLINOIS FED. AID PROJECT							
		DATE -	REVISED -									





FINISH SURVEY CHECKED  
 SURVEY PLOTTED  
 NOTE BOOK TEMPLATE AREAS  
 NO. AREAS CHECKED

ORIGINAL SURVEY CHECKED  
 SURVEY PLOTTED  
 NOTE BOOK TEMPLATE AREAS  
 NO. AREAS CHECKED



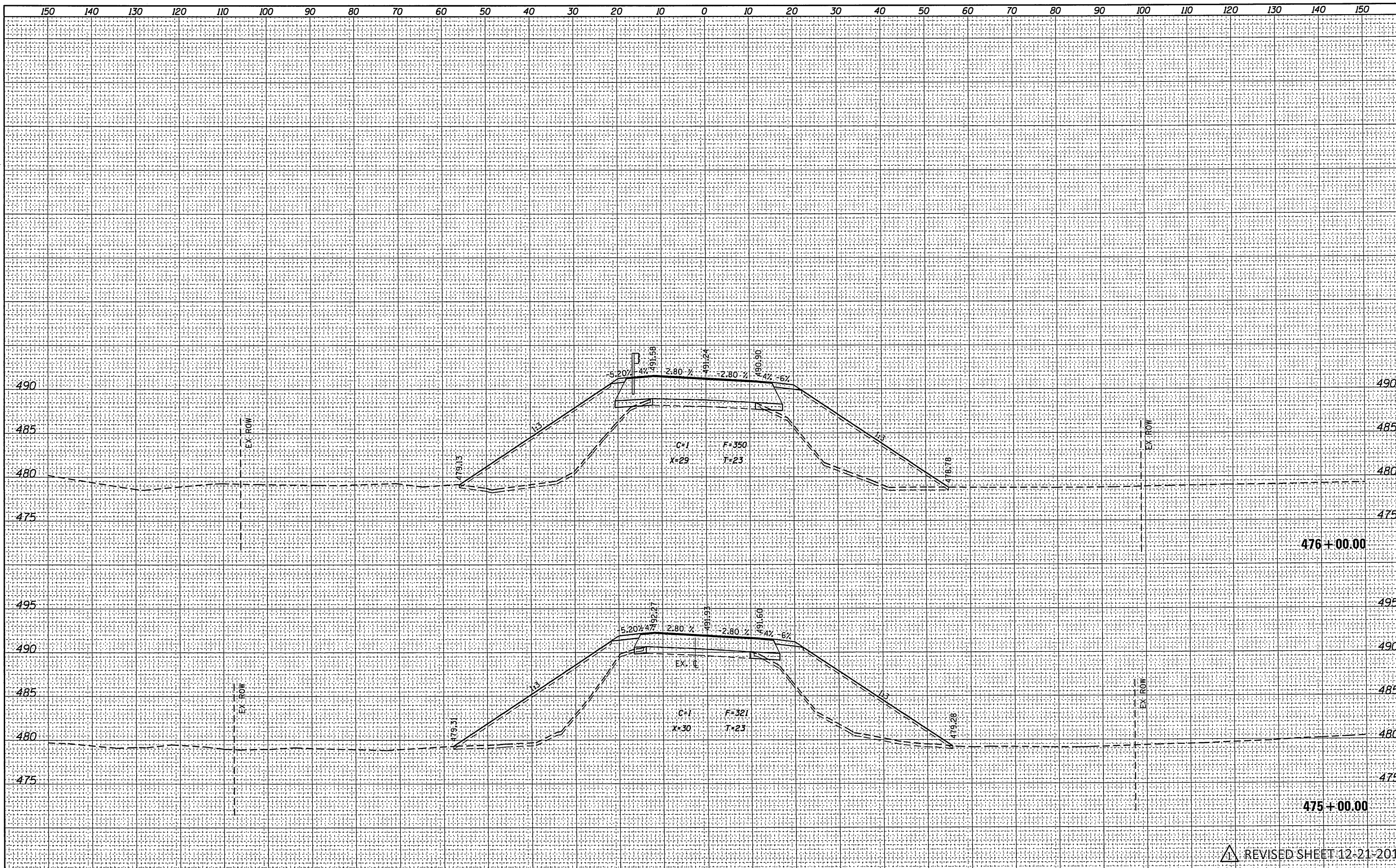
REVISION 12-21-2017

FILE NAME =	USER NAME = staffonmk	DESIGNED -	REVISED -	<b>CROSS SECTIONS</b> <b>US 45</b> SCALE: SHEET OF SHEETS STA. 472+21.00 TO STA. 473+00.00	F.A.P. RTE. 328A	SECTION 3Y	COUNTY EFFINGHAM	TOTAL SHEETS 62	SHEET NO. 51
\\IL084EBIDINTEG\illinois.gov\PWIDOT\Documents\IDOT Offices\District 7\Projects\74723\CAAD\DRAW\sheet\0774723-sht-xssht-ALT2.dgn	DRAWN	CHECKED -	REVISED -		CONTRACT NO. 74723				
Default	PLOT SCALE = 20.0000' / in.	DATE -	REVISED -		ILLINOIS FED. AID PROJECT				
	PLOT DATE = 12/20/2017								

STATE OF ILLINOIS  
DEPARTMENT OF TRANSPORTATION

DATE	
BY	
SURVEYED	
PLOTTED	
TEMPLATE	
AREAS	
CHECKED	
NO.	

DATE	
BY	
SURVEYED	
PLOTTED	
TEMPLATE	
AREAS	
CHECKED	
NO.	

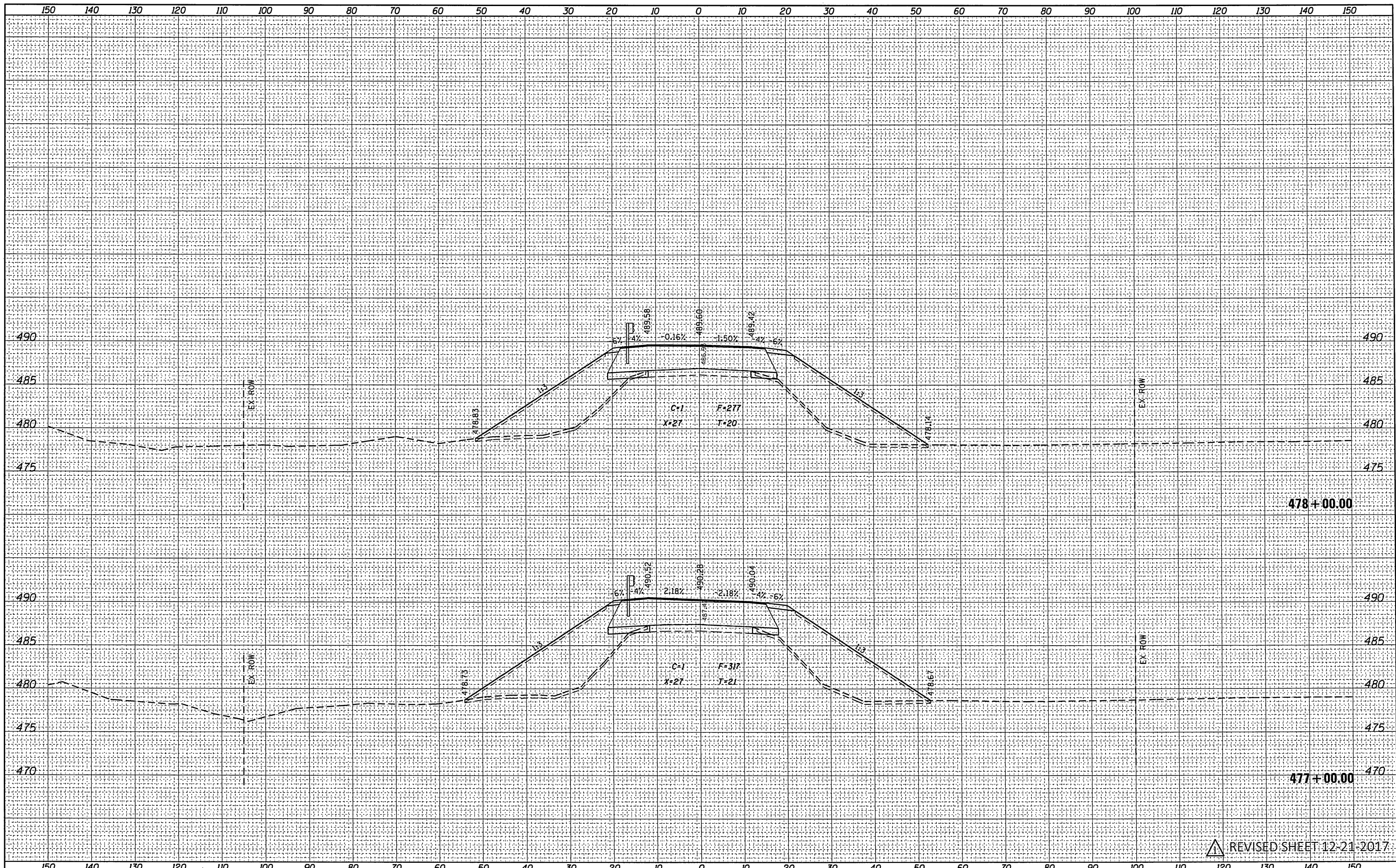


REVISOR SHEET 12-21-2017

FILE NAME =	USER NAME = steffennk	DESIGNED -	REVISED -	<p align="center"><b>STATE OF ILLINOIS</b> <b>DEPARTMENT OF TRANSPORTATION</b></p> <p align="center"><b>CROSS SECTIONS</b> <b>US 45</b></p> <p>SCALE: SHEET OF SHEETS STA. 475+00.00 TO STA. 476+00.00</p>	F.A.P. RTE. 328A	SECTION 3Y	COUNTY EFFINGHAM	TOTAL SHEETS 62	SHEET NO. 53
per \\IL084EBID\INTEG\Illinois.gov\PWDOT\Documents\DOT Offices\District 7\Projects\74723\CAD\Drawings\Drawings\74723-sht-xssht-ALT2.dgn	DRAWN by sheets\74723-sht-xssht-ALT2.dgn	CHECKED -	REVISED -		CONTRACT NO. 74723				
Default	PLLOT SCALE = 20.0000' / 1" =	DATE -	REVISED -		ILLINOIS FED. AID PROJECT				
	PLLOT DATE = 12/20/2017								

BY	DATE
SUBMITTED	
SURVEY	
NOTE BOOK	
NO.	
AREAS CHECKED	
TEMPLATE	

BY	DATE
SUBMITTED	
ORIGINAL	
SURVEY	
NOTE BOOK	
NO.	
AREAS CHECKED	
TEMPLATE	



REVISÉ SHEET 12-21-2017

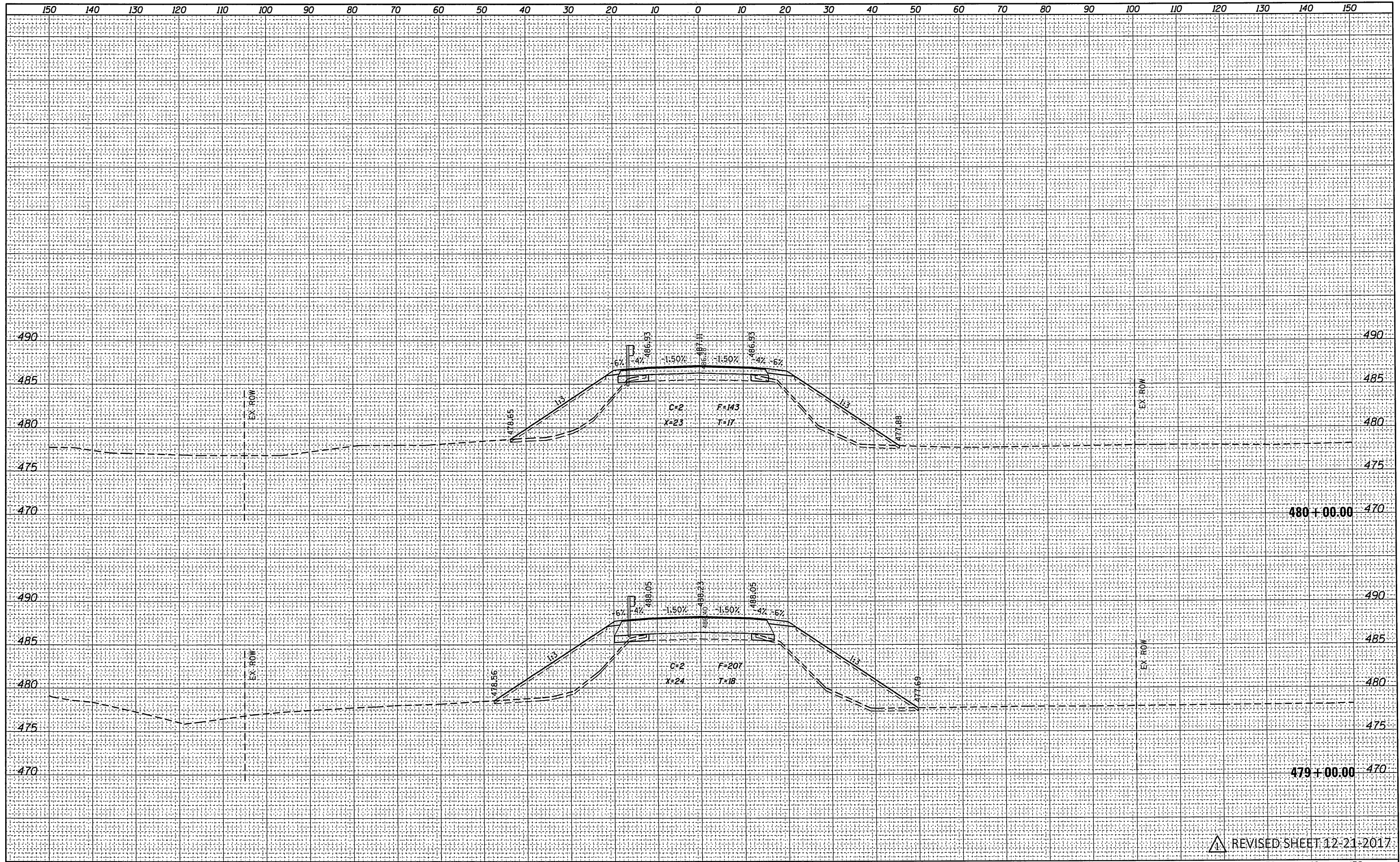
FILE NAME =	USER NAME = steffanmk	DESIGNED -	REVISED -	<b>CROSS SECTIONS</b> <b>US 45</b> SCALE: SHEET OF SHEETS STA. 477+00.00 TO STA. 478+00.00	F.A.P. RTE.	SECTION	COUNTY	TOTAL SHEETS	SHEET NO.
p:\11084EBIDINTEG\Illinois.gov\PWIDOT\Documents\1007 Offices\District 7\Projects\74723\CADD\DRAWN\sheets\0774723-sht-xssht-ALT2.dgn		CHECKED -	REVISED -		328A	3Y	EFFINGHAM	62	54
Default	PLOT SCALE = 20.0000' / in.	DATE -	REVISED -		CONTRACT NO. 74723				
	PLOT DATE = 12/20/2017		REVISED -		ILLINOIS FED. AID PROJECT				

BY \_\_\_\_\_ DATE \_\_\_\_\_

FINAL SURVEY  
 SURVEYED \_\_\_\_\_  
 PLOTTED \_\_\_\_\_  
 NOTE BOOK \_\_\_\_\_  
 AREAS CHECKED \_\_\_\_\_

BY \_\_\_\_\_ DATE \_\_\_\_\_

ORIGINAL SURVEY  
 SURVEYED \_\_\_\_\_  
 PLOTTED \_\_\_\_\_  
 NOTE BOOK \_\_\_\_\_  
 AREAS CHECKED \_\_\_\_\_



REVISED SHEET 12-21-2017

FILE NAME =  
 USER NAME = steffanmk

DESIGNED -	REVISED -
CHECKED -	REVISED -
DATE -	REVISED -

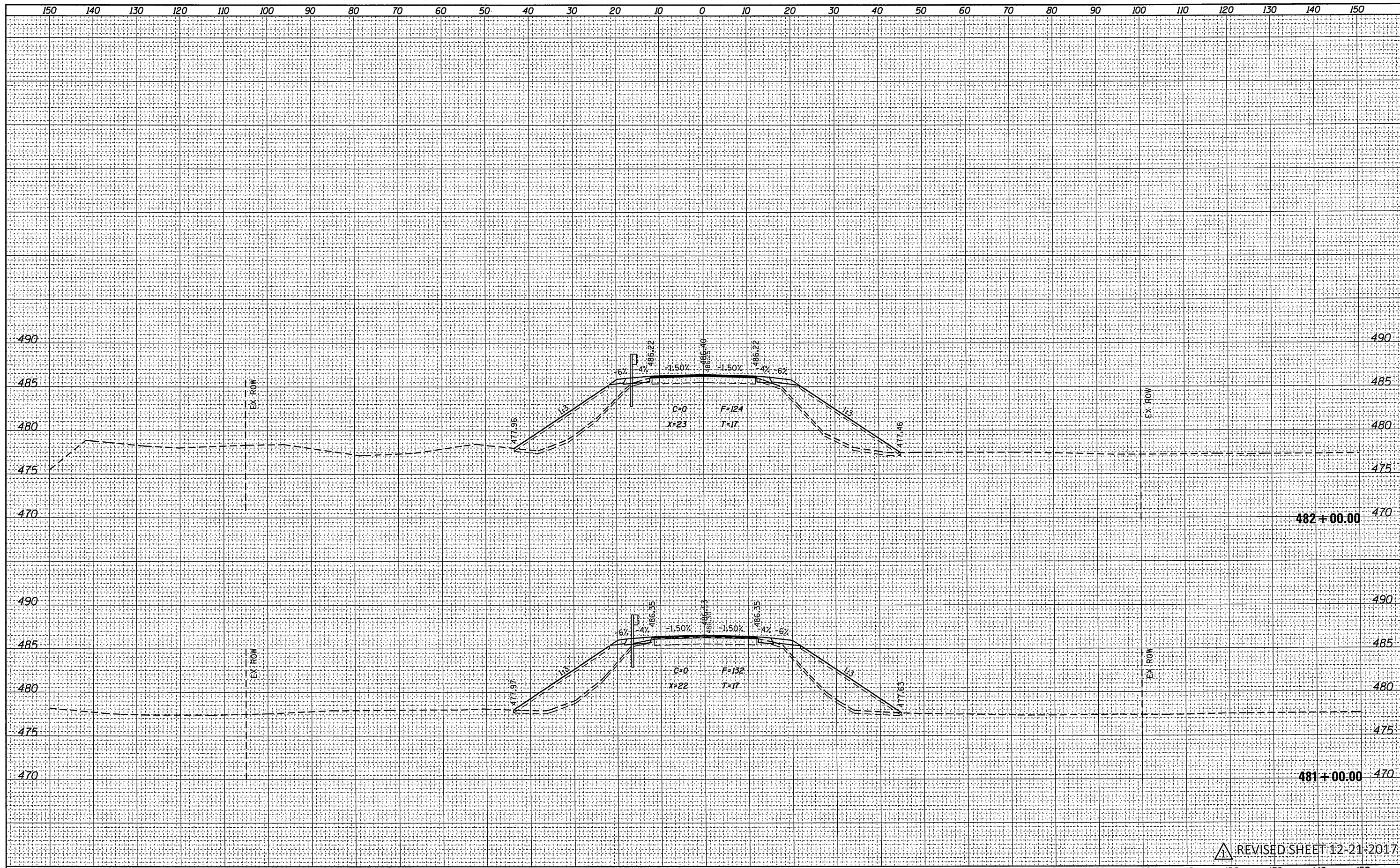
STATE OF ILLINOIS  
 DEPARTMENT OF TRANSPORTATION

**CROSS SECTIONS**  
 US 45

SCALE: SHEET OF SHEETS STA. 479+00.00 TO STA. 480+00.00

F.A.P. RTE.	SECTION	COUNTY	TOTAL SHEETS	SHEET NO.
328A	3Y	EFFINGHAM	62	55

CONTRACT NO. 74723  
 ILLINOIS FED. AID PROJECT



BY DATE  
 SURVEYED  
 PLOTTED  
 NOTE BOOK  
 TEMPLATE  
 AS  
 ARE'S CHECKED

BY DATE  
 SURVEYED  
 PLOTTED  
 NOTE BOOK  
 TEMPLATE  
 AS  
 ARE'S CHECKED

REVISOR SHEET 12-21-2017

FILE NAME =	USER NAME = staffemk	DESIGNED -	REVISED -
p:\I1084EBID\INTEG\Illinois.gov\PWIDOT\Documents\DOT Offices\District 7\Projects\74723\CADD\Drawings\Sheets\74723-sht-xsht-ALT2.dgn		REVISED -	REVISED -
Default	PLOT SCALE = 20.0000' / in.	CHECKED -	REVISED -
	PLOT DATE = 12/20/2017	DATE -	REVISED -

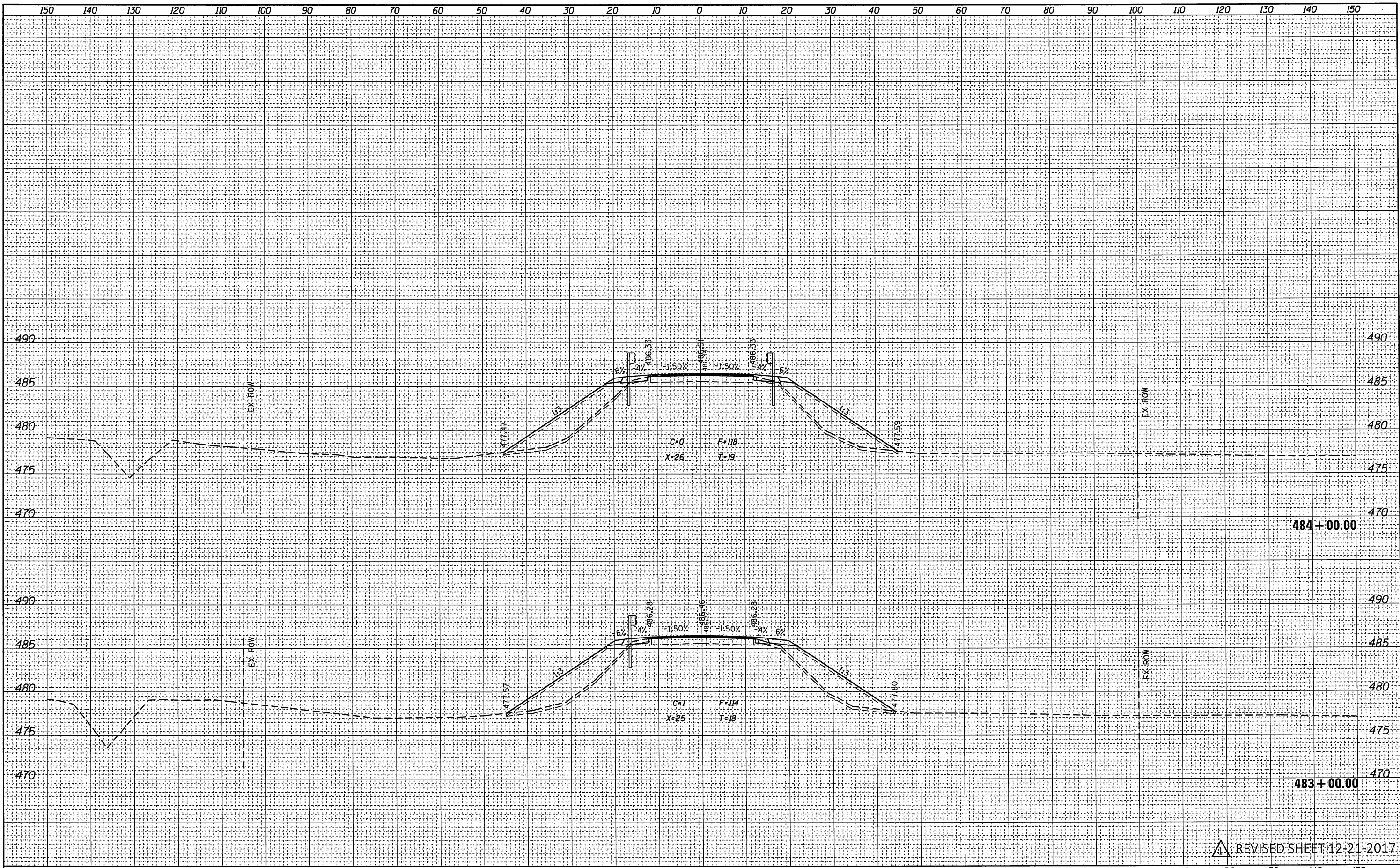
**STATE OF ILLINOIS**  
**DEPARTMENT OF TRANSPORTATION**

CROSS SECTIONS US 45				
SCALE:	SHEET	OF	SHEETS	STA. 481+00.00 TO STA. 482+00.00

F.A.P. RTE.	SECTION	COUNTY	TOTAL SHEETS	SHEET NO.
328A	3Y	EFFINGHAM	62	56
CONTRACT NO. 74723				
ILLINOIS FED. AID PROJECT				

BY	DATE
SURVEYED	
PLOTTED	
TEMPLATE	
AREAS CHECKED	
AREAS CHECKED	
NO.	

BY	DATE
SURVEYED	
PLOTTED	
TEMPLATE	
AREAS CHECKED	
AREAS CHECKED	
NO.	

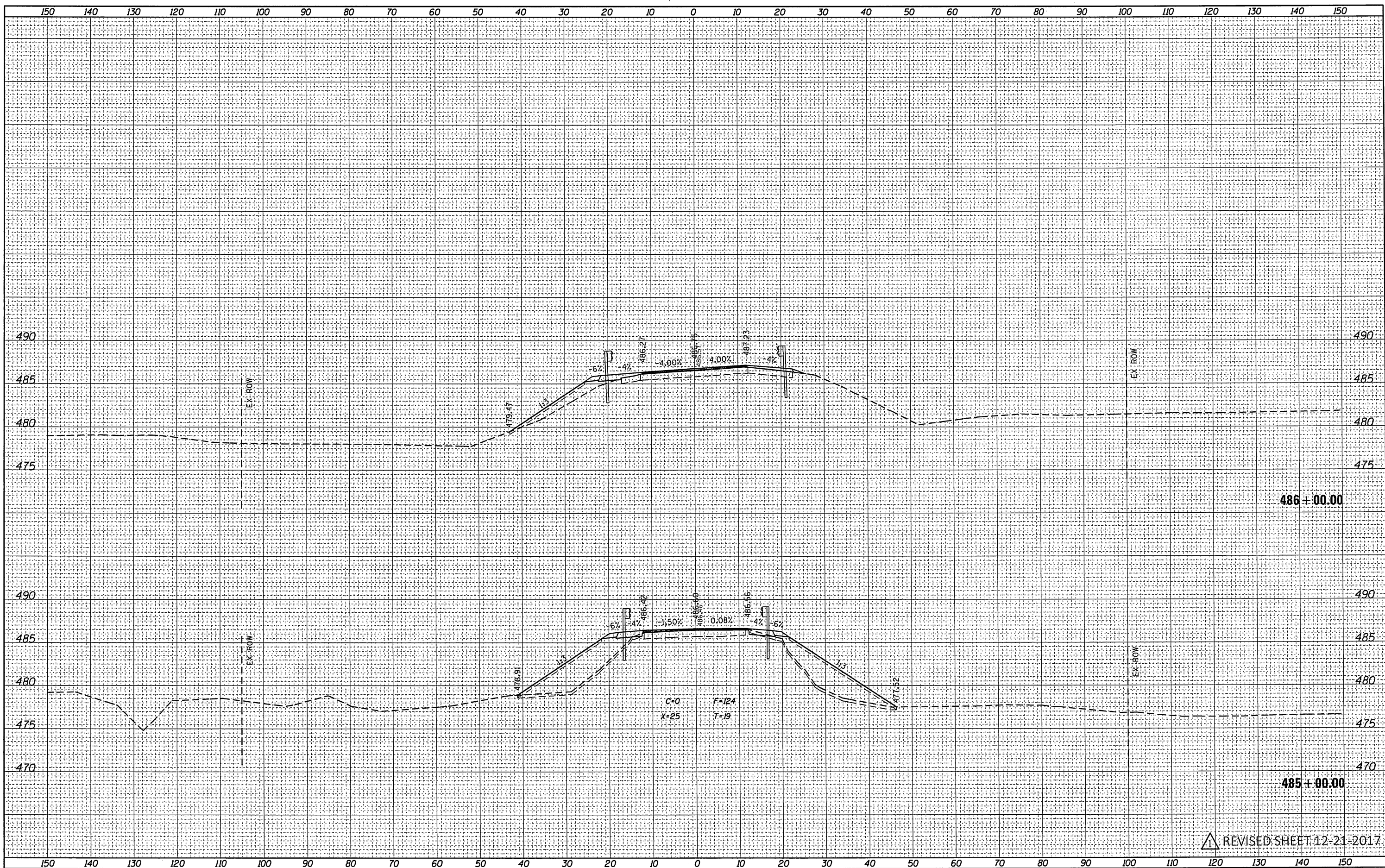


REVISOR: [Symbol] REVISED SHEET 12-21-2017

FILE NAME =	USER NAME = staffennk	DESIGNED -	REVISED -	<p align="center"><b>STATE OF ILLINOIS</b> <b>DEPARTMENT OF TRANSPORTATION</b></p> <p align="center"><b>CROSS SECTIONS</b> <b>US 45</b></p> <p>SCALE: SHEET OF SHEETS STA. 483+00.00 TO STA. 484+00.00</p>	F.A.P. RTE. 328A	SECTION 3Y	COUNTY EFFINGHAM	TOTAL SHEETS 62	SHEET NO. 57
p:\1\084EBID\INTEG.1\Illinois.gov\PIWIDOT\Documents\DOT Offices\District 7\Projects\74723\CADD\Drawings\Sheet\74723-sht-xsh-t-AL12.dgn	PLOT SCALE = 20.0000 ' / in.	CHECKED -	REVISED -		CONTRACT NO. 74723				
Default	PLOT DATE = 12/20/2017	DATE -	REVISED -		ILLINOIS FED. AID PROJECT				

FINAL	SURVEYED	DATE
SURVEY	PLOTTED	
NOTE BOOK	TEMPLATE	
NO.	AREAS CHECKED	

ORIGINAL	SURVEYED	DATE
SURVEY	PLOTTED	
NOTE BOOK	TEMPLATE	
NO.	AREAS CHECKED	



REVISÉD SHEET 12-21-2017

FILE NAME =  
 P:\IL084EBID\INTEG.11\inois.gov\PMIDOT\Documents\DOT Offices\District 7\Projects\74723\CADD\Drawings\74723-sht-xshht-ALT2.dgn  
 Default

USER NAME = steffennk  
 IDOT Offices\District 7\Projects\74723\CADD\Drawings\74723-sht-xshht-ALT2.dgn  
 PLOT SCALE = 20.0000' / in.  
 PLOT DATE = 12/20/2017

DESIGNED -  
 CHECKED -  
 DATE -

REVISED -  
 REVISED -  
 REVISED -  
 REVISED -

STATE OF ILLINOIS  
 DEPARTMENT OF TRANSPORTATION

CROSS SECTIONS  
 US 45

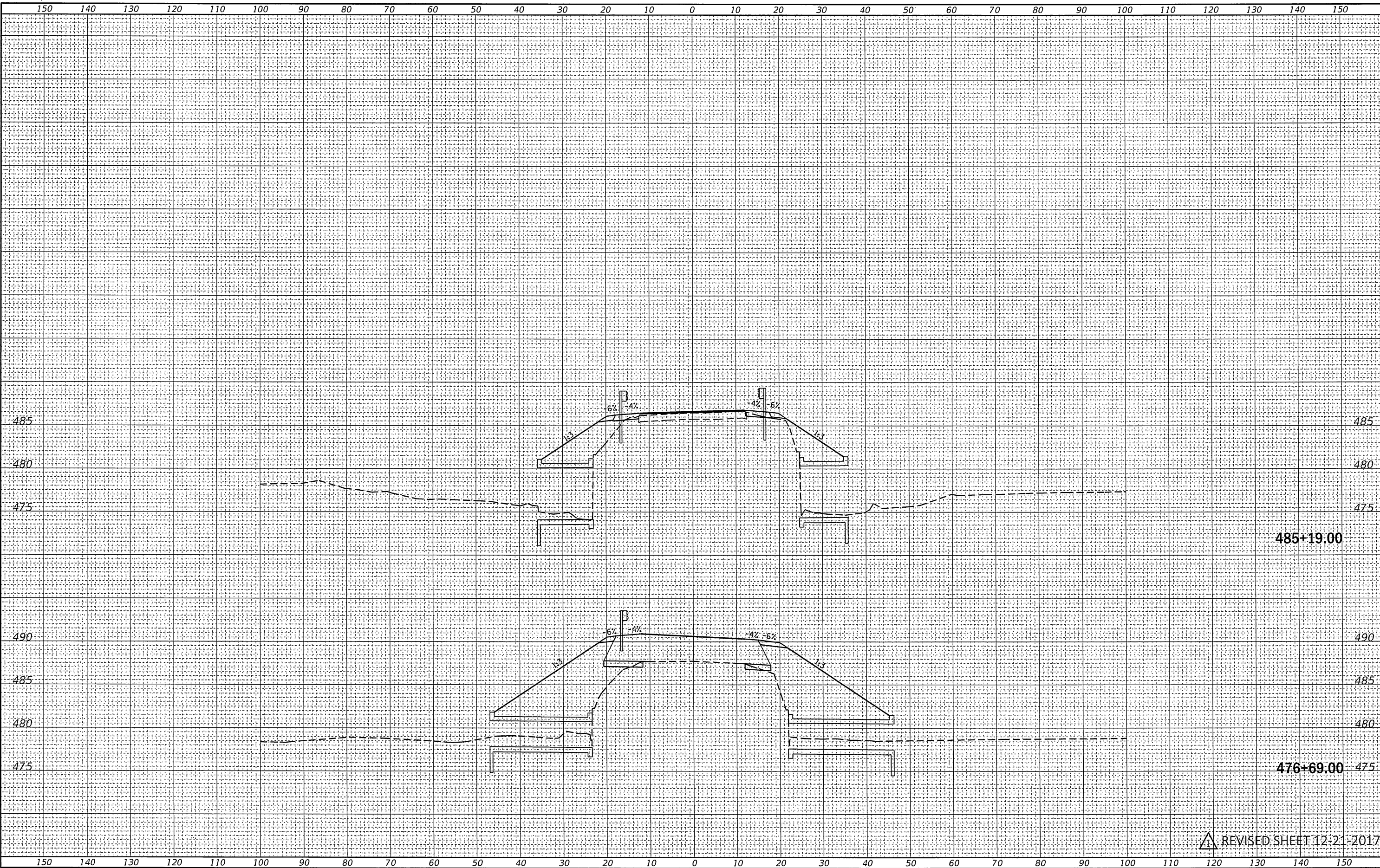
SCALE: SHEET OF SHEETS STA. 485+00.00 TO STA. 486+00.00

F.A.P. RTE.	SECTION	COUNTY	TOTAL SHEETS	SHEET NO.
328A	3Y	EFFINGHAM	62	58
CONTRACT NO. 74723			ILLINOIS FED. AID PROJECT	

FINAL SURVEY	BY	DATE
NO. _____		
NOTE BOOK		
NO. _____		
TEMPLATE		
AREAS CHECKED		
NO. _____		

ORIGINAL SURVEY	BY	DATE
NO. _____		
NOTE BOOK		
NO. _____		
TEMPLATE		
AREAS CHECKED		
NO. _____		

MOBEL.D\Fairfile  
 FILE NAME: \\wll08\FB\BID\TEC\Illinois\pwr\pwr\DOT\Documents\DOT - Office\BID\BID - Projects\74723\CAD\Drawings\CAD\Sheet\74723-111-35th-CULV.dgn



REVISÉD SHEET 12-21-2017

USER NAME = steffennk	DESIGNED -	REVISED -
	DRAWN -	REVISED -
PLOT SCALE = 20.0000' / in.	CHECKED -	REVISED -
PLOT DATE = 12/20/2017	DATE -	REVISED -

STATE OF ILLINOIS  
 DEPARTMENT OF TRANSPORTATION

CROSS SECTIONS  
 CULVERTS

SCALE: SHEET OF SHEETS STA. 476+69.00 TO STA. 485+19.00

F.A.P. RTE. 328A	SECTION 3Y	COUNTY EFFINGHAM	TOTAL SHEETS 62	SHEET NO. 62
				CONTRACT NO. 74723
		ILLINOIS FED. AID PROJECT		