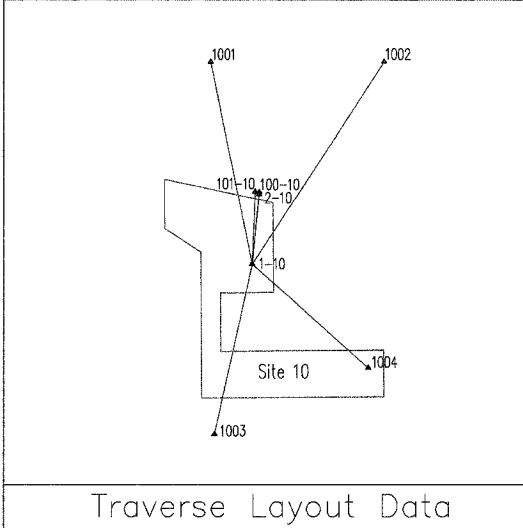


SETTLED MINE SHAFT (APPROXIMATELY 100' DIA. x 13' DEEP) PARTIALLY WATER FILLED. EXISTING IMPOUNDMENT TO BE DEWATERED IN ACCORDANCE WITH SECTION 614 OF THE SPECIAL PROVISIONS (VOLUME = 225,582 GALLONS, pH = 6.99, ACIDITY = 25 mg/L)

ABANDONED PUMP HOUSE TO BE REMOVED - PARTIALLY BELOW GRADE STRUCTURE WITH 1'-2' THICK CONCRETE WALLS. CONCRETE TO BE BROKEN UP AND PLACED IN MINE SHAFT - THE DEPRESSION RESULTING FROM REMOVAL OF THE PUMP HOUSE SHALL BE BACKFILLED WITH SUITABLE EARTH MATERIAL.

20' x 50' DEBRIS PILE (POWDER HOUSE REMNANTS) CONCRETE RUBBLE TO BE REMOVED AND PLACED IN MINE SHAFT. DISTURBED AREA TO BE REGRADED TO SATISFACTION OF THE ENGINEER.



NOTE:
DUE TO THE UNKNOWN CONDITIONS THAT EXIST IN AND AROUND THE SHAFT, THE CONTRACTOR SHALL USE EXTREME CAUTION WHEN PERFORMING WORK NEAR THE SHAFT. THE ENGINEER RESERVES THE RIGHT TO INCREASE OR DECREASE THE QUANTITY FOR SPECIAL EXCAVATION AND BACKFILLING MATERIALS AS DETERMINED BY THE EXACT CONDITIONS ENCOUNTERED DURING SPECIAL EXCAVATION.

