

State of Illinois
Department of Natural Resources
Office of Mines and Minerals
Division of Abandoned Mined Lands

Funded by the
United States Department of Interior
Federal Office of Surface Mining

Wilmington No. 6/Diamond 'A' Mine
Reclamation Project
AML-GGdE-0501
Grundy County
2 LR

SCHEDULE OF DRAWINGS:

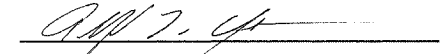
1. Cover Sheet
2. Summary of Quantities/General Notes/Location Map
3. Wilmington No. 6 - Existing and Proposed Conditions
4. Diamond 'A' Mine - Existing and Proposed Conditions
5. Details

Prepared By IDNR Staff

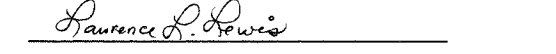
Approved for Bidding:


Joseph R. Angleton, Director
Office of Mines and Minerals

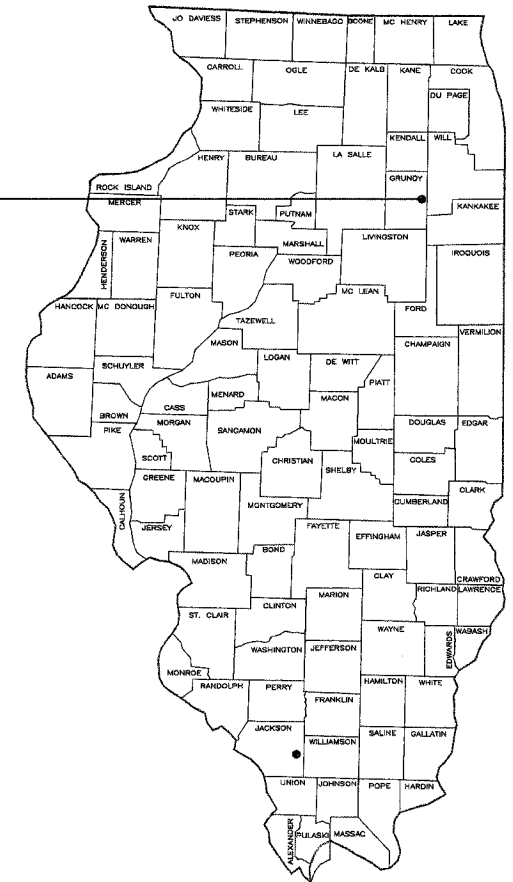
Approved By:


Alfred L. Clayborne, Manager
AML Division

Approved By:


Lawrence L. Lewis, P.E.
IL Licensed Professional Engineer
No. 0062-038880

Wilmington No. 6/Diamond 'A' Mine
(See sheet 2 for Project Location)

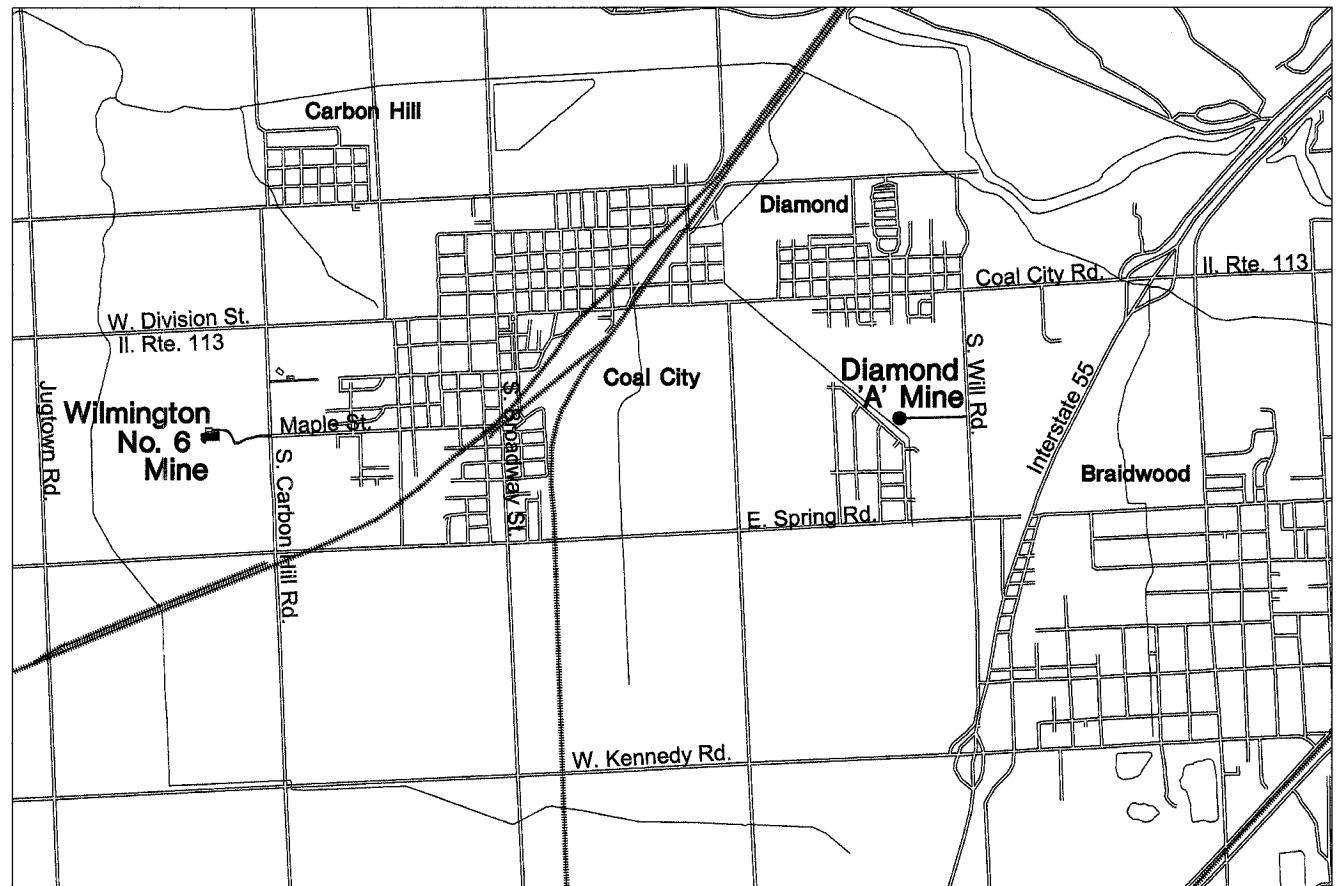


PRE-BID MEETING

A PRE-BID MEETING IS SCHEDULED FOR THIS PROJECT AT 9:00 A.M.,
FRIDAY, JANUARY 13, 2006 AT THE WILMINGTON NO. 6 SITE.



Summary of Quantities							
#	Item	Section	Quantities			Unit	Rates/Remarks
			Wilm. No. 6	Diamond 'A'	Total		
1	Special Clearing	201	0.5	0.5	1	L.S.	
2	Special Excavation	214	479	304	783	C.Y.	
3	CA-6 Fill	216	608	304	912	Ton	
4	CA-1 Fill	216	230	115	345	Ton	
5	Riprap Fill C-3	216	116	58	174	Ton	
6	Filter Fabric	216	308	154	462	S.Y.	
7	Seeding	250	0.8	0.3	1.1	Acre	
8	Nitrogen Fertilizer Nutrient	250	96	36	132	Pound	120 lbs./Acre
9	Phosphorous Fertilizer Nutrient	250	120	45	165	Pound	150 lbs./Acre
10	Potassium Fertilizer Nutrient	250	200	75	275	Pound	250 lbs./Acre
11	Agricultural Ground Limestone	250	1.6	0.6	2.2	Ton	2 Tons/Acre
12	Mulch, Method 2, Procedure 2	IDOT 251	0.8	0.3	1.1	Acre	2 Tons/Acre
13	Mine Opening Marker	666	2	1	3	Each	
14	Mobilization (Max. 6% of Bid)	671	0.5	0.5	1	L.S.	



Location Map

GENERAL NOTES

Unless otherwise noted on the plans, all disturbed areas within the construction limits will be amended with agricultural ground limestone, fertilizer nutrients, seeded and mulched at the required rates specified in the plans.

The contractor is responsible for visiting the site and familiarizing himself with the existing conditions and the proposed reclamation work prior to submitting a bid.

The contractor shall provide and pay for all field engineering services to execute the project as specified in the Field Engineering section of the Special Provisions.

The contractor is responsible for locating and protecting all existing utility lines pertaining to the work.

Unless noted on the plans, all onsite access roads may be used for construction and must be maintained during construction and restored to original or better condition at the completion of work by the contractor. Access roads to the site as designated in the plans are to be maintained to the satisfaction of the engineer.

The construction limits will be staked by the contractor prior to construction. The contractor is responsible for the repair and or restitution at his own expense for all damages done to any area outside the construction limits.

Application rates specified in the plans are shown in the Summary of Quantities-Rates/Remarks column.

CONSTRUCTION NOTES

BURIAL/REMOVAL OF MATERIAL-Concrete and masonry debris designated for burial by the engineer shall be buried at least three feet below proposed final grade. Onsite organic debris and trash shall be disposed of in an engineer approved offsite landfill in accordance with Sections 201 and 501 of the Special Provisions.

TREE REMOVAL-Trees removed shall be disposed of onsite per Section 201 of the Special Provisions.

EROSION CONTROL-The contractor shall schedule his operations and take such precautions that may be necessary to prevent or minimize erosion. Failure to comply with this requirement shall cause the contractor to be fully responsible for repairing any eroded areas and cleaning up areas or drainage structures that have become silted in or damaged.

AGRICULTURAL GROUND LIMESTONE-Immediately prior to seed bed preparation, fertilizer nutrients and agricultural ground limestone shall be uniformly spread at the rates specified in the plans.

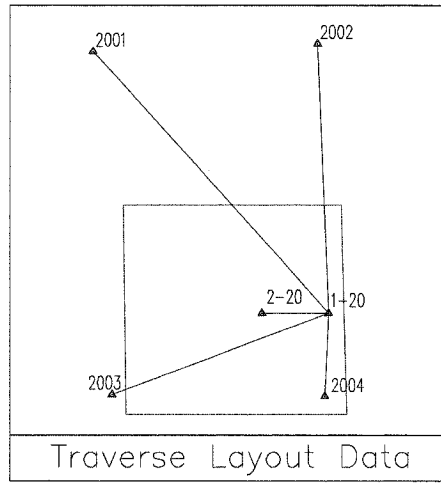
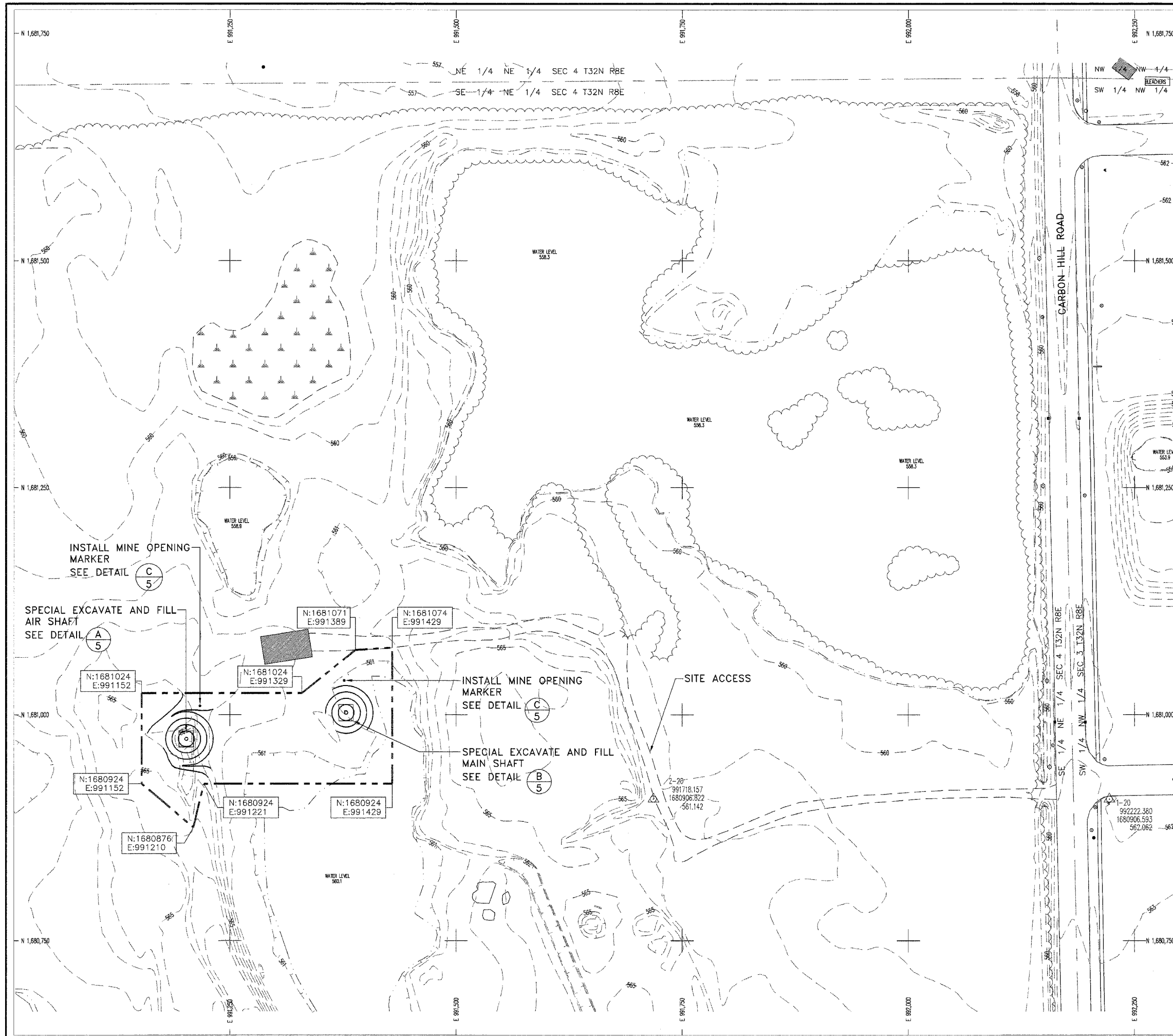
MULCHING-Within 24 hours from the time seeding has been performed, the seeded area shall be given a covering of mulch at the rates specified in the plans. The mulch is to be anchored into the soil in accordance with the requirements for method 2, procedure 2 of Article 251.03 of the Standard Specifications. If Excelsior or Special Excelsior Blanket is to be used, the blanket shall be placed the same day that the areas are seeded.

State of Illinois
Department of Natural Resources

Wilmington No. 6/Diamond 'A'
Mine Reclamation Project
AML-GGdE-0501
Grundy County

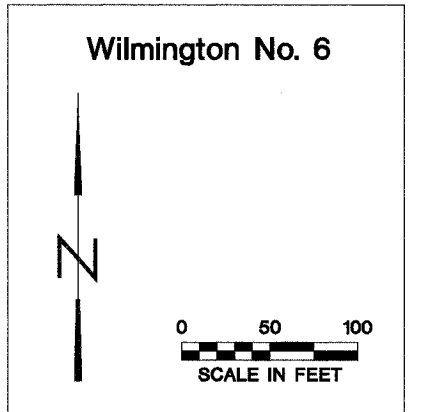
Drawn By: _____
Checked By: _____
Date: _____

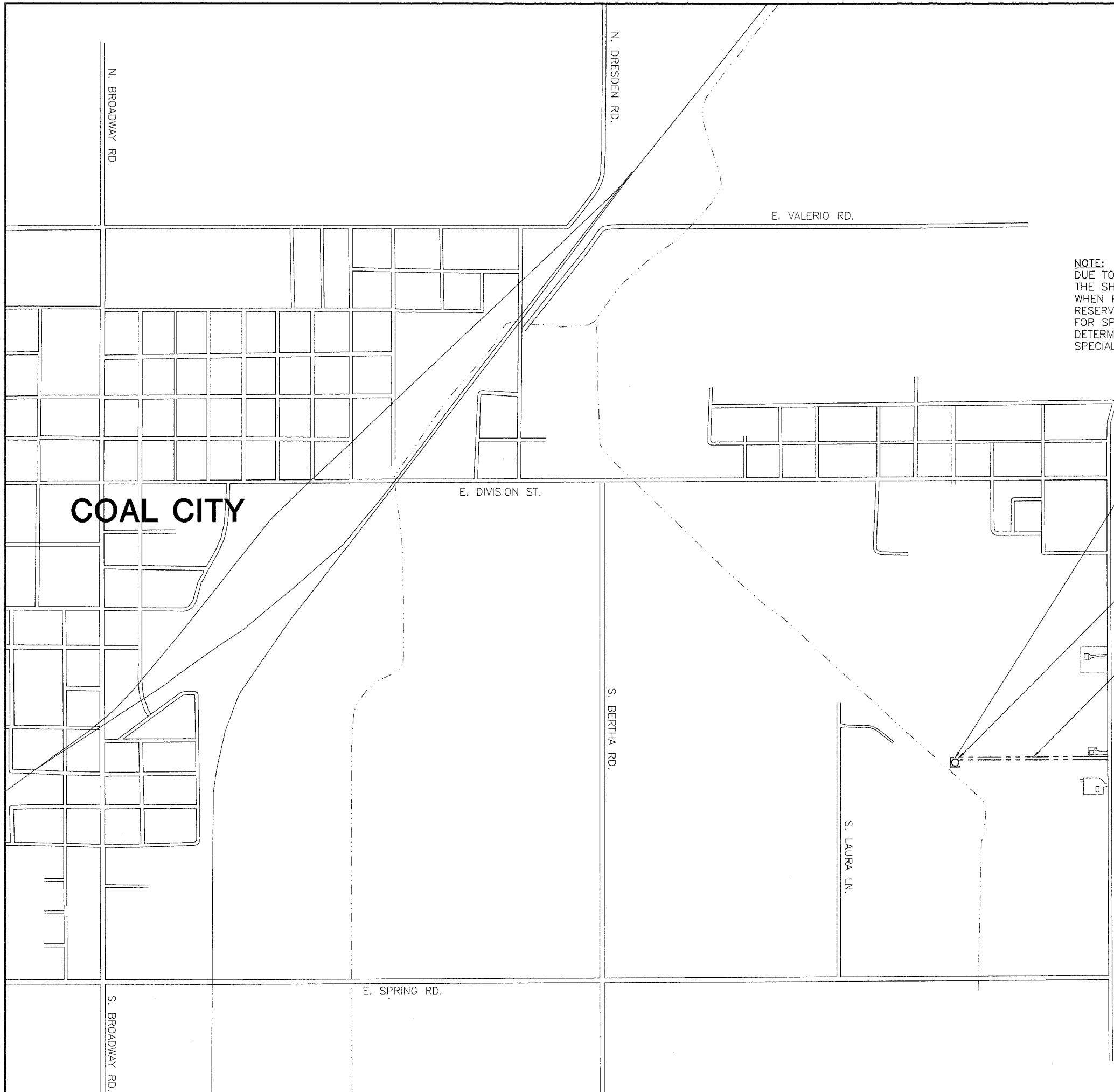
Summary of Quantities/
General Notes/Location Map
Sheet
2 of 5



NOTE:
 DUE TO THE UNKNOWN CONDITIONS THAT EXIST IN AND AROUND THE SHAFTS, THE CONTRACTOR SHALL USE EXTREME CAUTION WHEN PERFORMING WORK NEAR THEM. THE ENGINEER RESERVES THE RIGHT TO INCREASE OR DECREASE THE QUANTITY FOR SPECIAL EXCAVATION AND BACKFILLING MATERIALS AS DETERMINED BY THE EXACT CONDITIONS ENCOUNTERED DURING SPECIAL EXCAVATION.

- Legend**
- 500--- EXISTING CONTOUR
 - PROPOSED CONTOUR
 - - - - CONSTRUCTION/SEEDING LIMITS
 - EDGE OF ROAD
 - ~ TREELINE
 - - - - EDGE OF WATER
 - ▲ SURVEY CONTROL POINT





COAL CITY

NOTE:
 DUE TO THE UNKNOWN CONDITIONS THAT EXIST IN AND AROUND THE SHAFT, THE CONTRACTOR SHALL USE EXTREME CAUTION WHEN PERFORMING WORK NEAR THE SHAFT. THE ENGINEER RESERVES THE RIGHT TO INCREASE OR DECREASE THE QUANTITY FOR SPECIAL EXCAVATION AND BACKFILLING MATERIALS AS DETERMINED BY THE EXACT CONDITIONS ENCOUNTERED DURING SPECIAL EXCAVATION.

- SPECIAL EXCAVATE AND FILL SHAFT
SEE DETAIL $\frac{D}{5}$
SEEDING AREA IS 100' x 100' SQUARE WITH CENTER OF SHAFT AS CENTER OF SQUARE.
- INSTALL MINE OPENING MARKER
SEE DETAIL $\frac{C}{5}$
- ACCESS TO THE SITE WILL BE STAKED BY THE ENGINEER PRIOR TO BEGINNING OF THE CONSTRUCTION

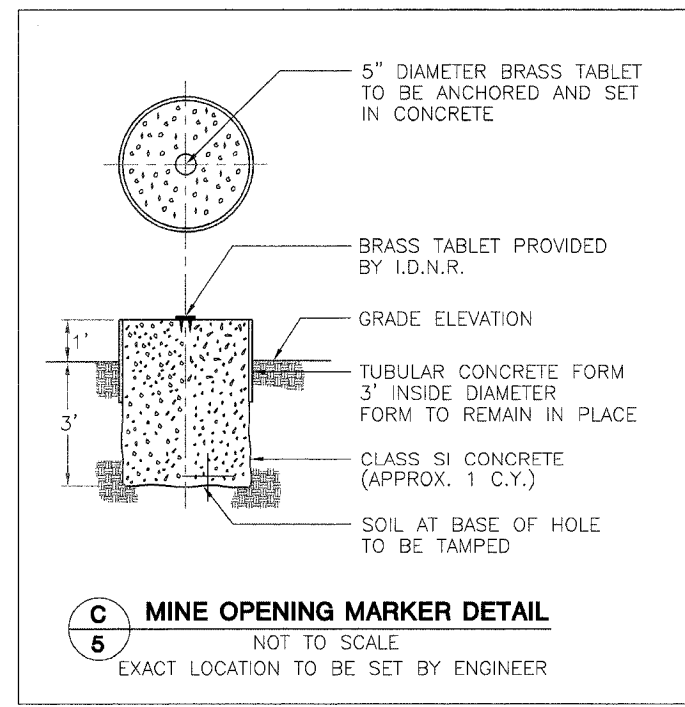
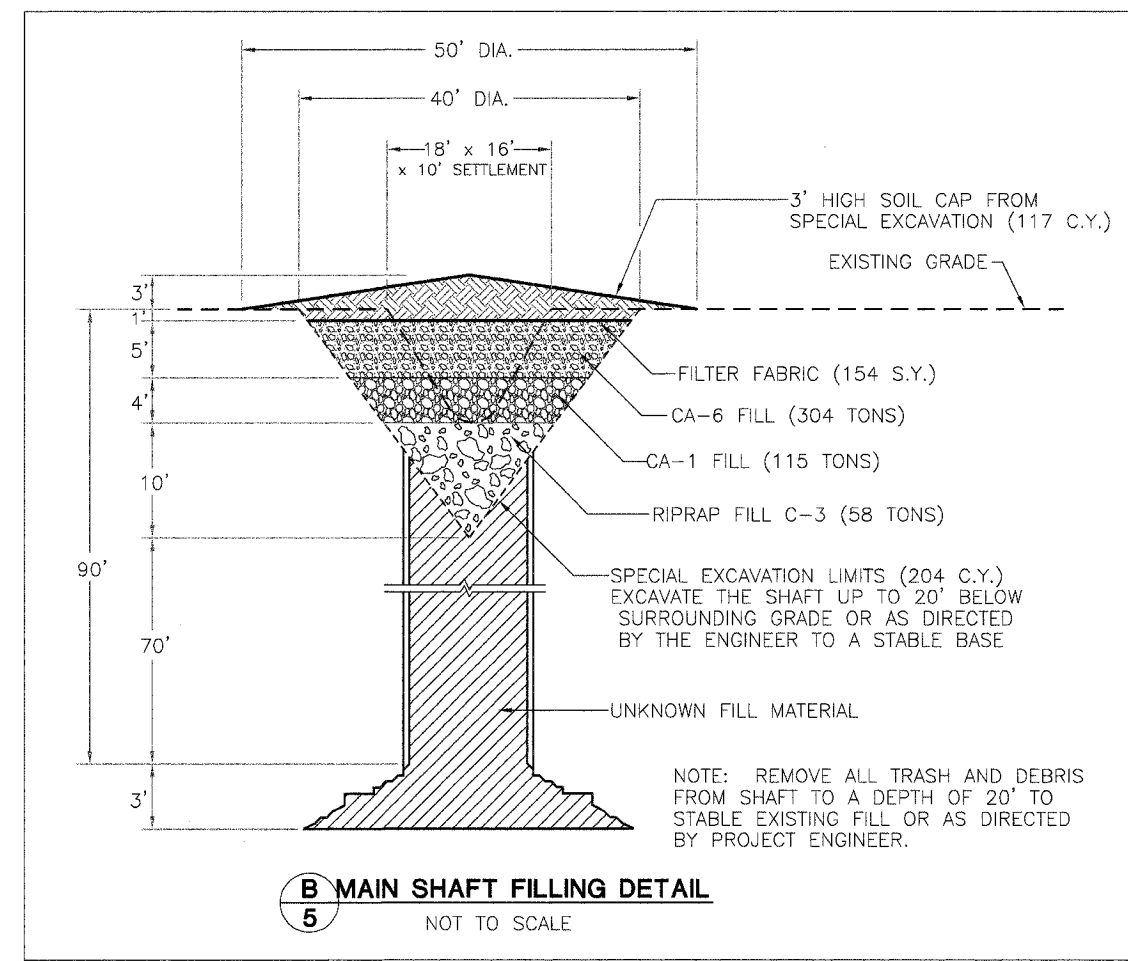
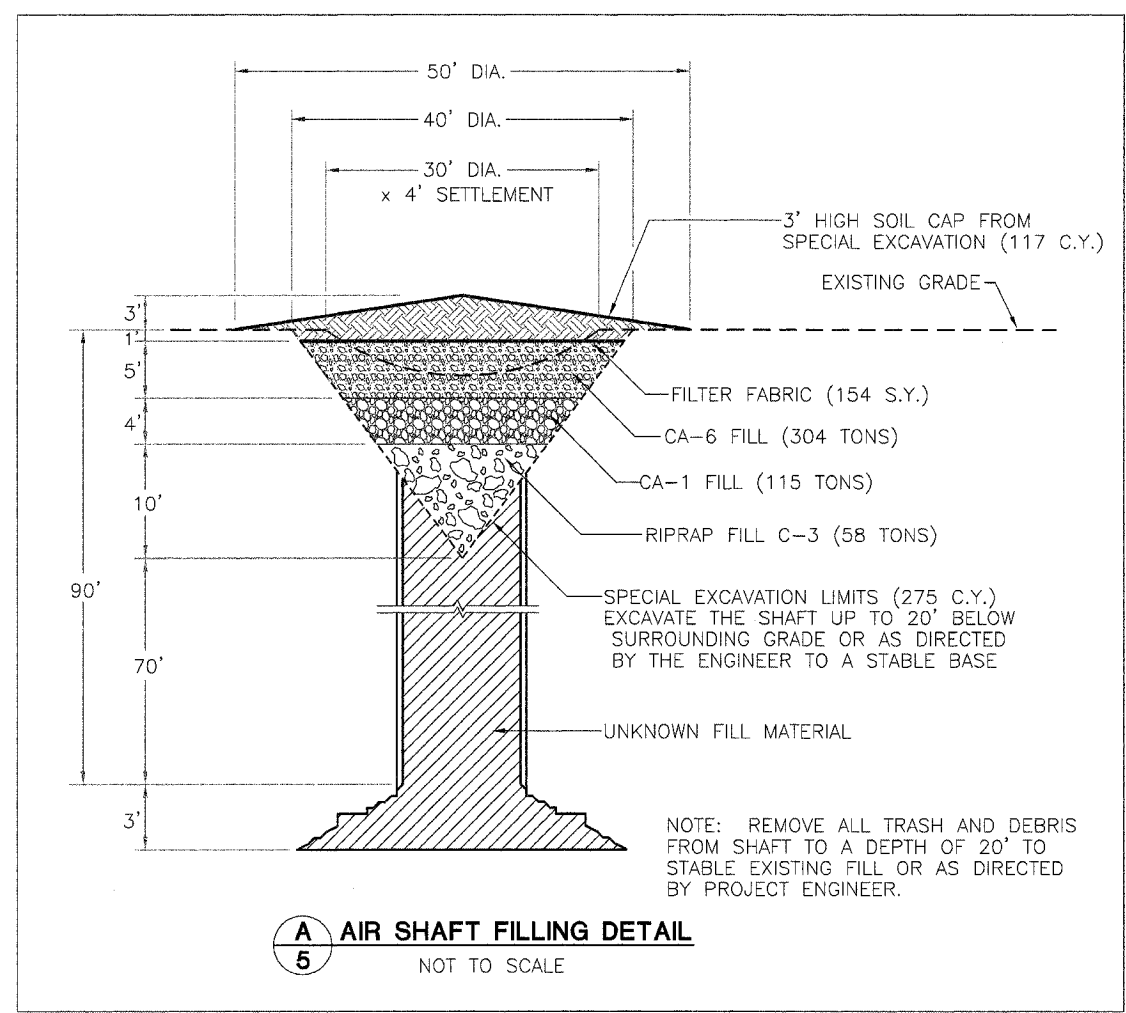
— — — — —	CONSTRUCTION LIMITS
— — — — —	EDGE OF ROAD
— · — · — ·	EDGE OF WATER
Legend	

Diamond 'A' Mine

N

0 500 1000
SCALE IN FEET

Drawn By: _____ V.P. _____
 Checked By: _____ Date: 11/30/2005



NOTE:
DUE TO THE UNKNOWN CONDITIONS THAT EXIST IN AND AROUND THE SHAFTS, THE CONTRACTOR SHALL USE EXTREME CAUTION WHEN PERFORMING WORK NEAR THEM. THE ENGINEER RESERVES THE RIGHT TO INCREASE OR DECREASE THE QUANTITY FOR SPECIAL EXCAVATION AND BACKFILLING MATERIALS AS DETERMINED BY THE EXACT CONDITIONS ENCOUNTERED DURING SPECIAL EXCAVATION.

