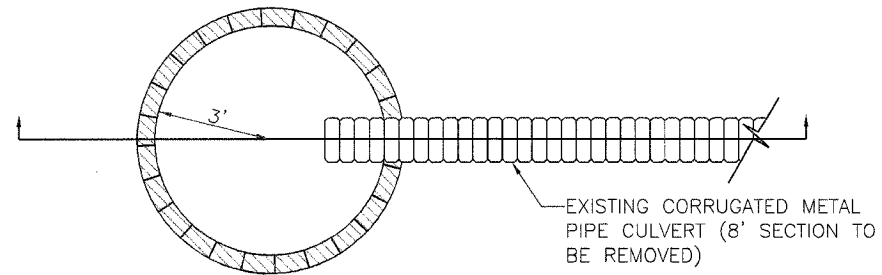
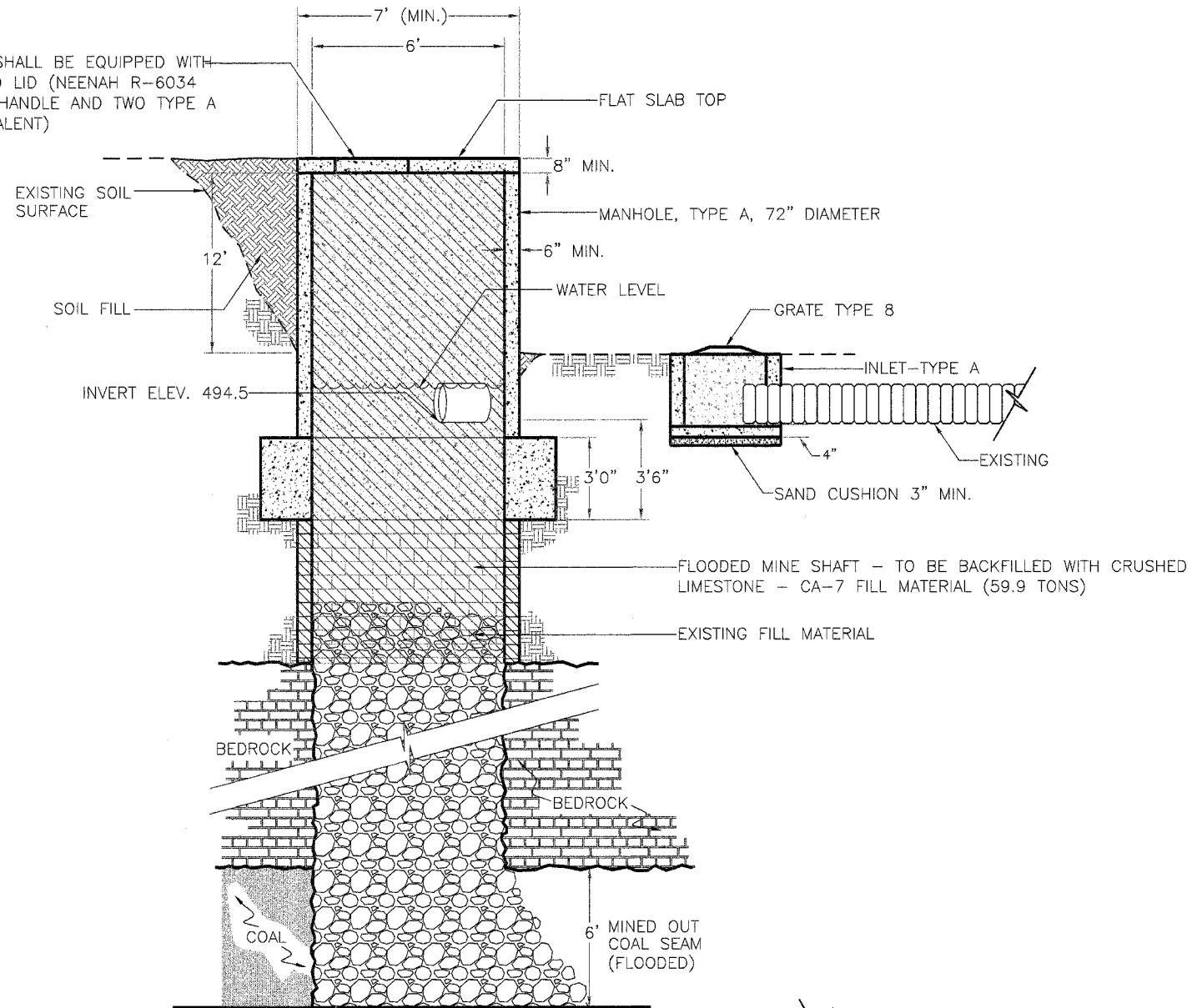


B CROSS SECTION - EXISTING CONDITIONS
21 NOT TO SCALE

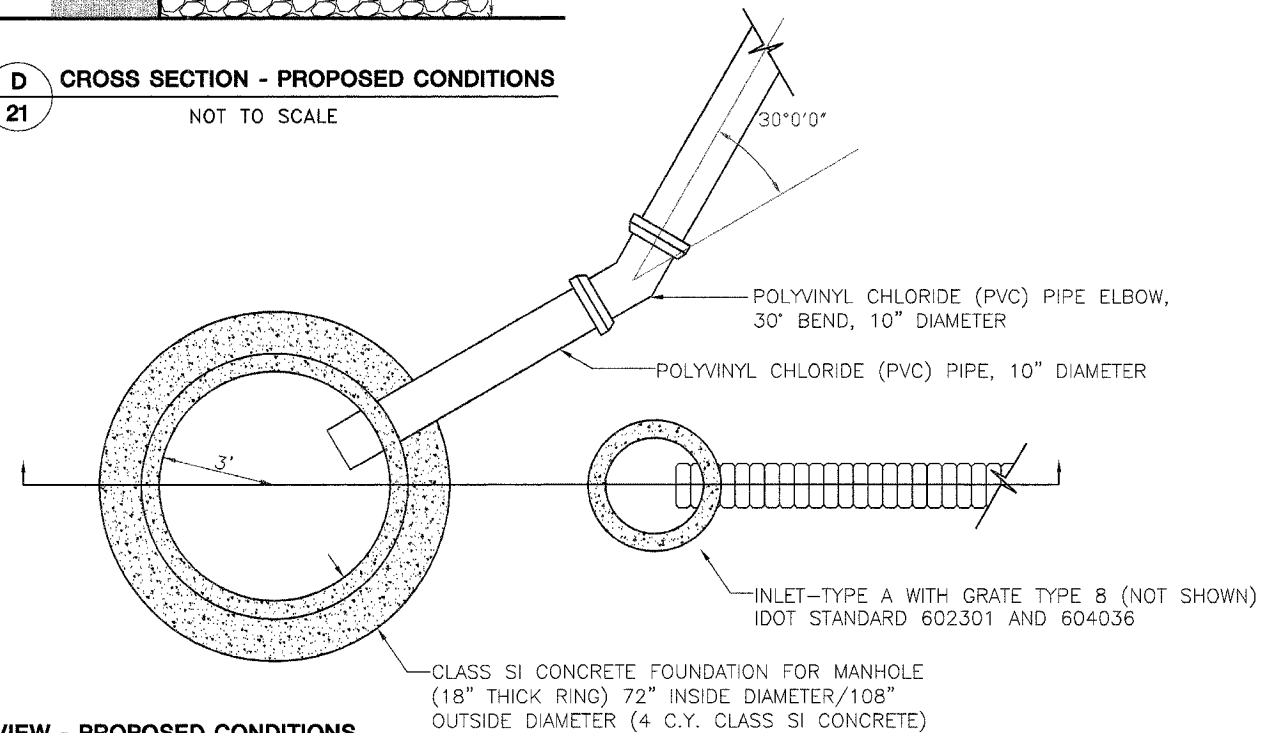


C PLAN VIEW - EXISTING CONDITIONS
21 NOT TO SCALE

INSPECTION OPENING SHALL BE EQUIPPED WITH CAST IRON FRAME AND LID (NEENAH R-6034 WITH TYPE "C" DROP HANDLE AND TWO TYPE A TOP HASPS OR EQUIVALENT)



D CROSS SECTION - PROPOSED CONDITIONS
21 NOT TO SCALE



E PLAN VIEW - PROPOSED CONDITIONS
21 NOT TO SCALE