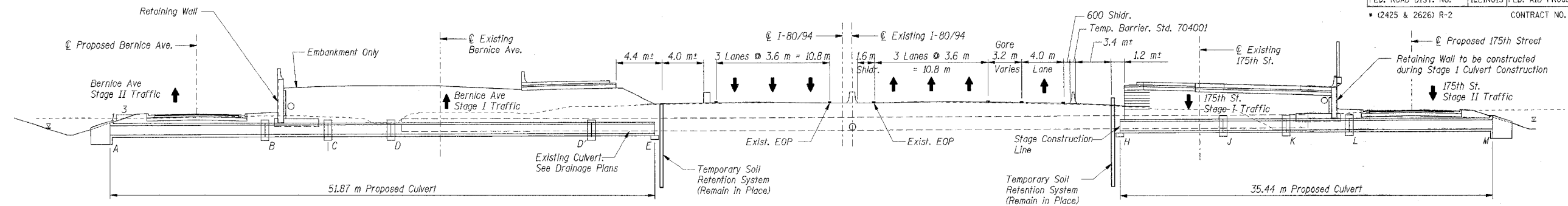
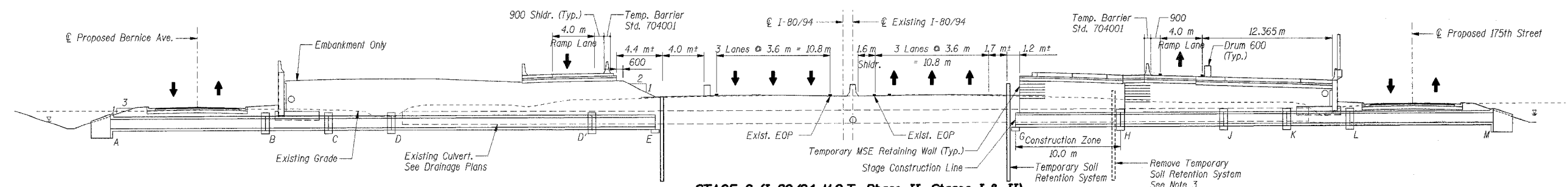


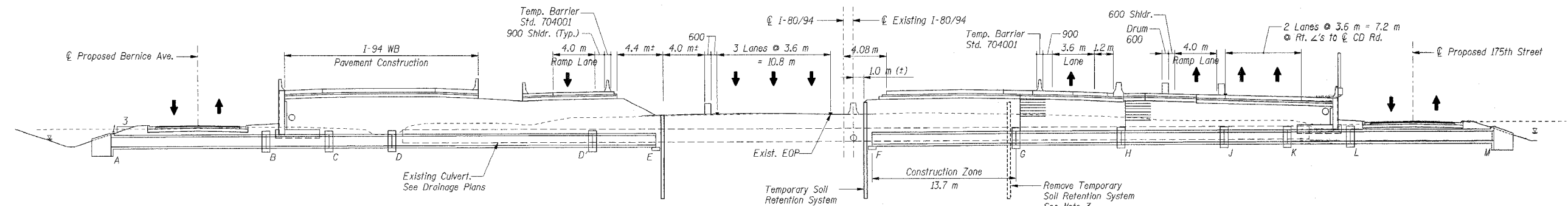
F.A.I. RTE.	SECTION	COUNTY	TOTAL SHEETS	SHEET NO.
	*	COOK	631	339D
STA.	TO STA.			
FED. ROAD DIST. NO.	ILLINOIS	FED. AID PROJECT		
* (2425 & 2626) R-2		CONTRACT NO. 62111		



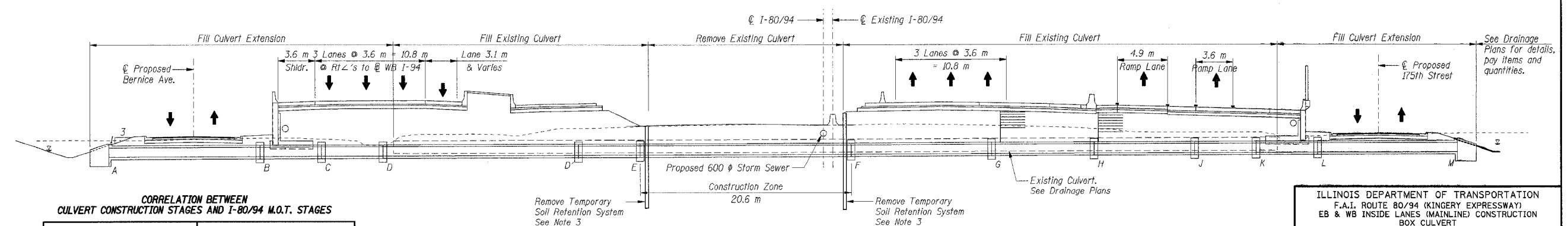
STAGE 1 (I-80/94 M.O.T. Phase I, Stage I)
(BY OTHERS, PREVIOUS CONTRACT 62350)



STAGE 2 (I-80/94 M.O.T. Phase II, Stages I & II)
(BY OTHERS, PREVIOUS CONTRACT 62110)



STAGE 3 (I-80/94 M.O.T. Phase II, Stages III & IV)
(BY OTHERS, PREVIOUS CONTRACT 62110)



STAGE 4 (I-80/94 M.O.T. Phase III, Stage I)
(THIS CONTRACT)

CORRELATION BETWEEN CULVERT CONSTRUCTION STAGES AND I-80/94 M.O.T. STAGES

CULVERT CONSTRUCTION	MAINTENANCE OF TRAFFIC (For Culvert, Embankment & Pavement Construction)
Stage 1	Phase I, Stage I
Stage 2	Phase II, Stage I & II
Stage 3	Phase II, Stage III & IV
Stage 4	Phase III, Stage I

- Notes:**
- All dimensions in millimeters (mm) except as noted.
 - EOP denotes Edge of Pavement
 - See Sht. BC-05 for details of Temporary Soil Retention System at stage Construction Line.

SHT. BC-04 OF 11

REVISIONS	
NAME	DATE

ILLINOIS DEPARTMENT OF TRANSPORTATION
F.A.I. ROUTE 80/94 (KINGERY EXPRESSWAY)
EB & WB INSIDE LANES (MAINLINE) CONSTRUCTION
BOX CULVERT
STRUCTURE NO. 016-C013 STA. 5+566.000
SECTIONS 2001-167R AND (2425 & 2626) R-1
COOK COUNTY

CONSTRUCTION STAGING SEQUENCE & SECTIONS

DATE: 1/4/06 DRAWN BY: OD CHECKED BY: MJK

TENG TENG & ASSOCIATES, INC. ENGINEERS/ARCHITECTS/PLANNERS CHICAGO, ILLINOIS

VARSHKZ
 12-20-2005, 10:25:21
 T:\DOCUMENTS\931760A\STRUCT\IGN\BCT0012A.DGN
 1 2 3 4 5 6 7 8 9 10 11 12 13 14 15 16 17 18 19 20 21 22 23 24 25 26 27 28 29 30 31 32 33 34 35 36 37 38 39 40 41 42 43 44 45 46 47 48 49 50 51 52 53 54 55 56 57 58 59 60 61 62 63