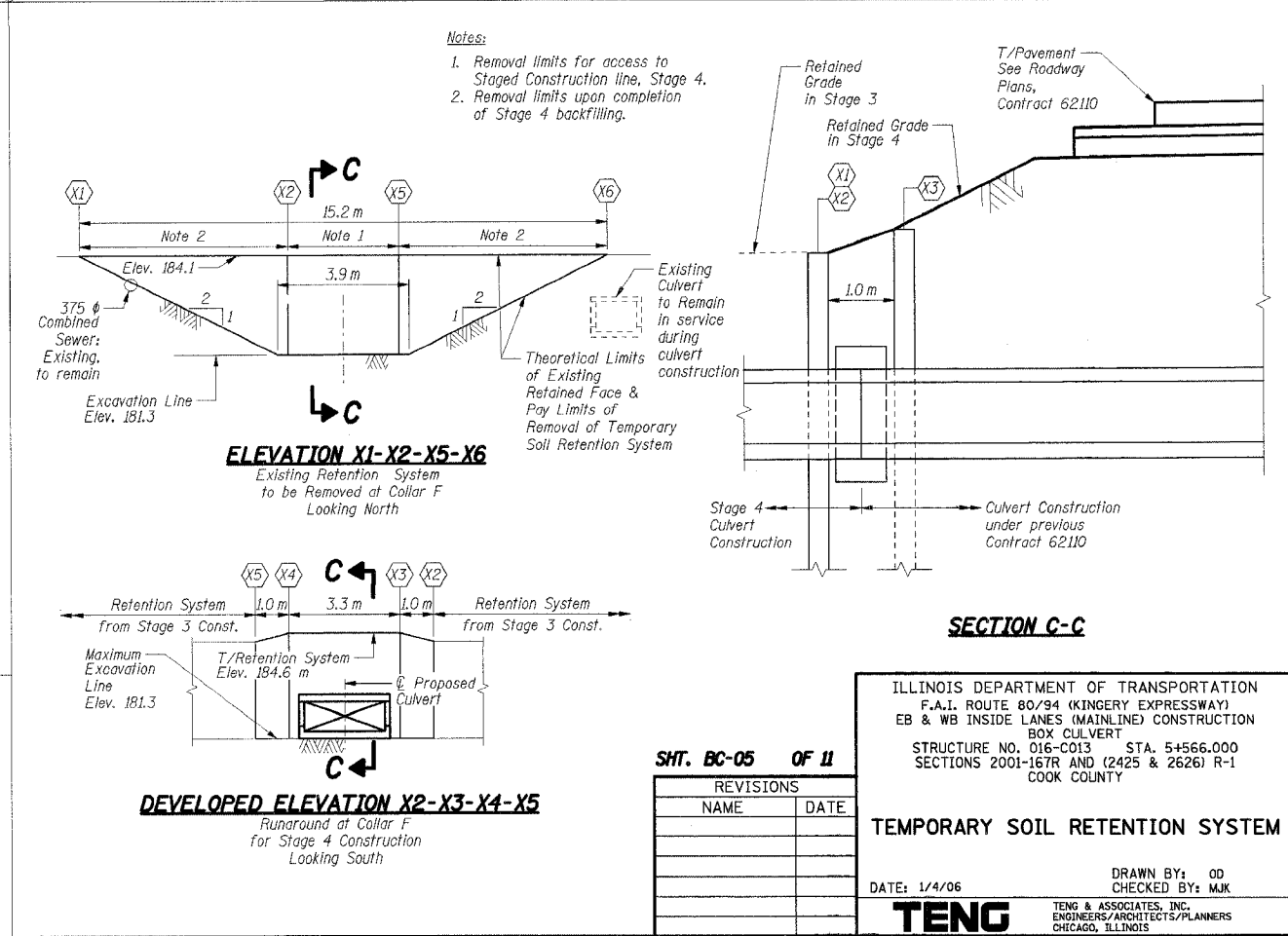
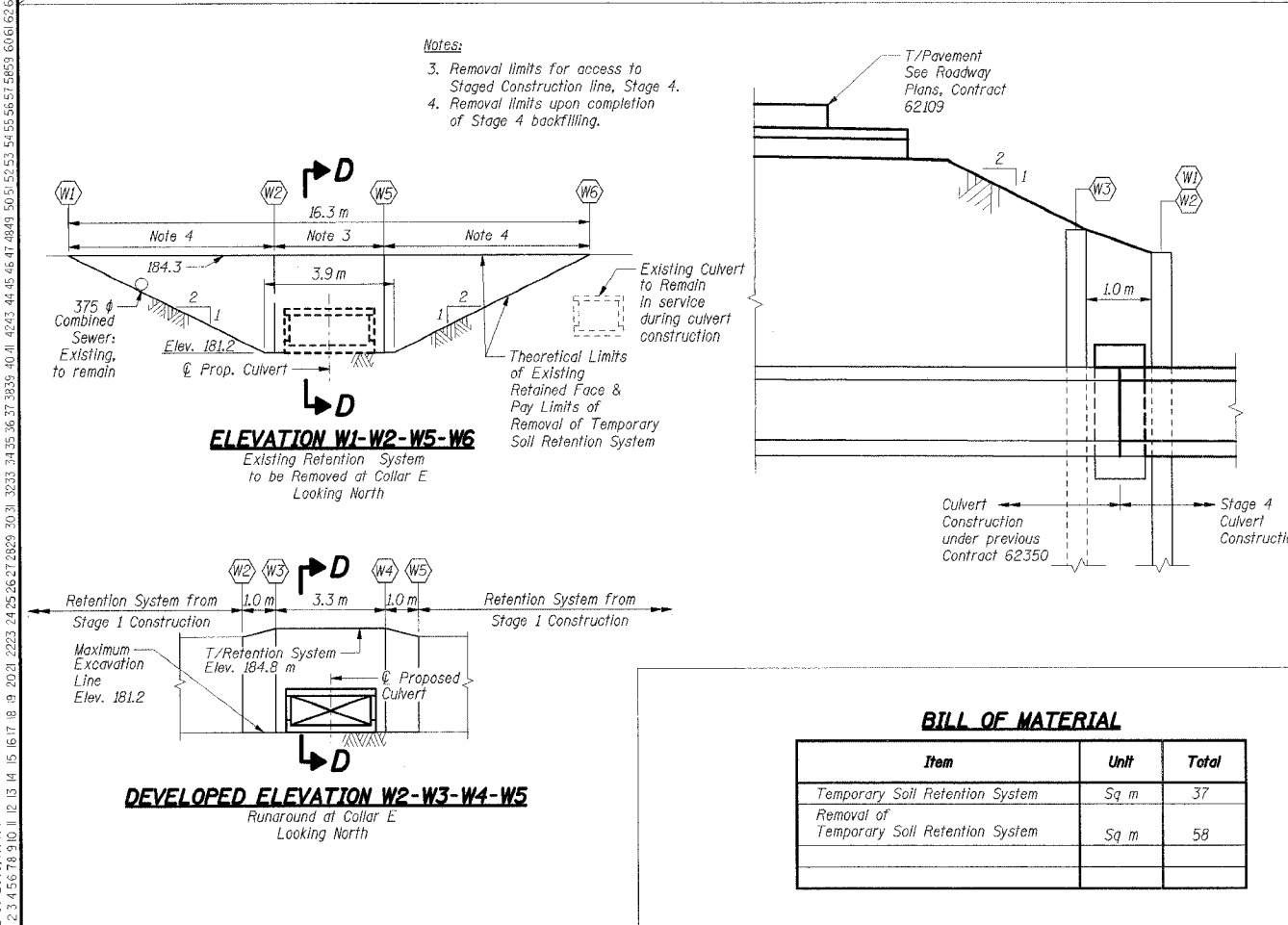
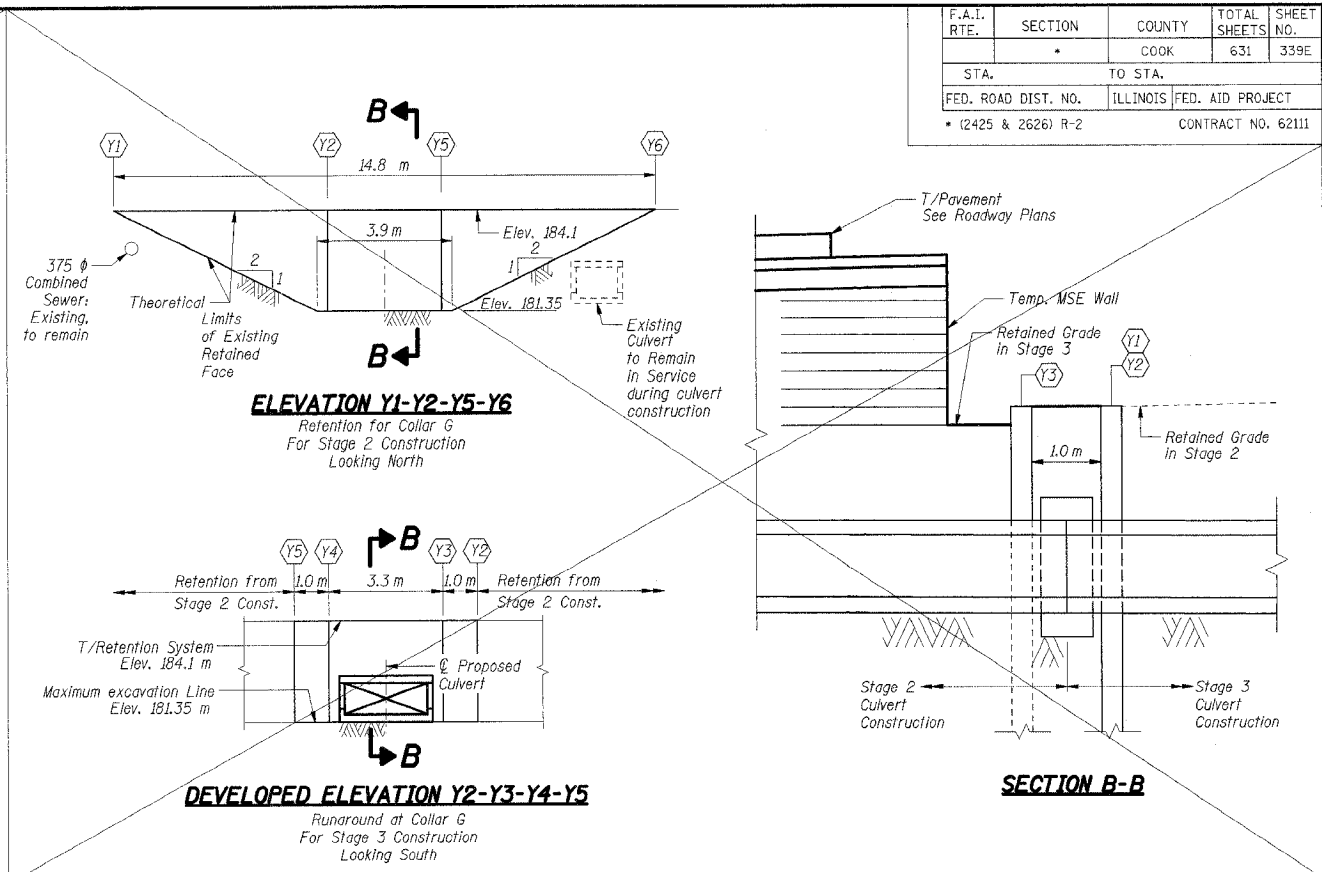
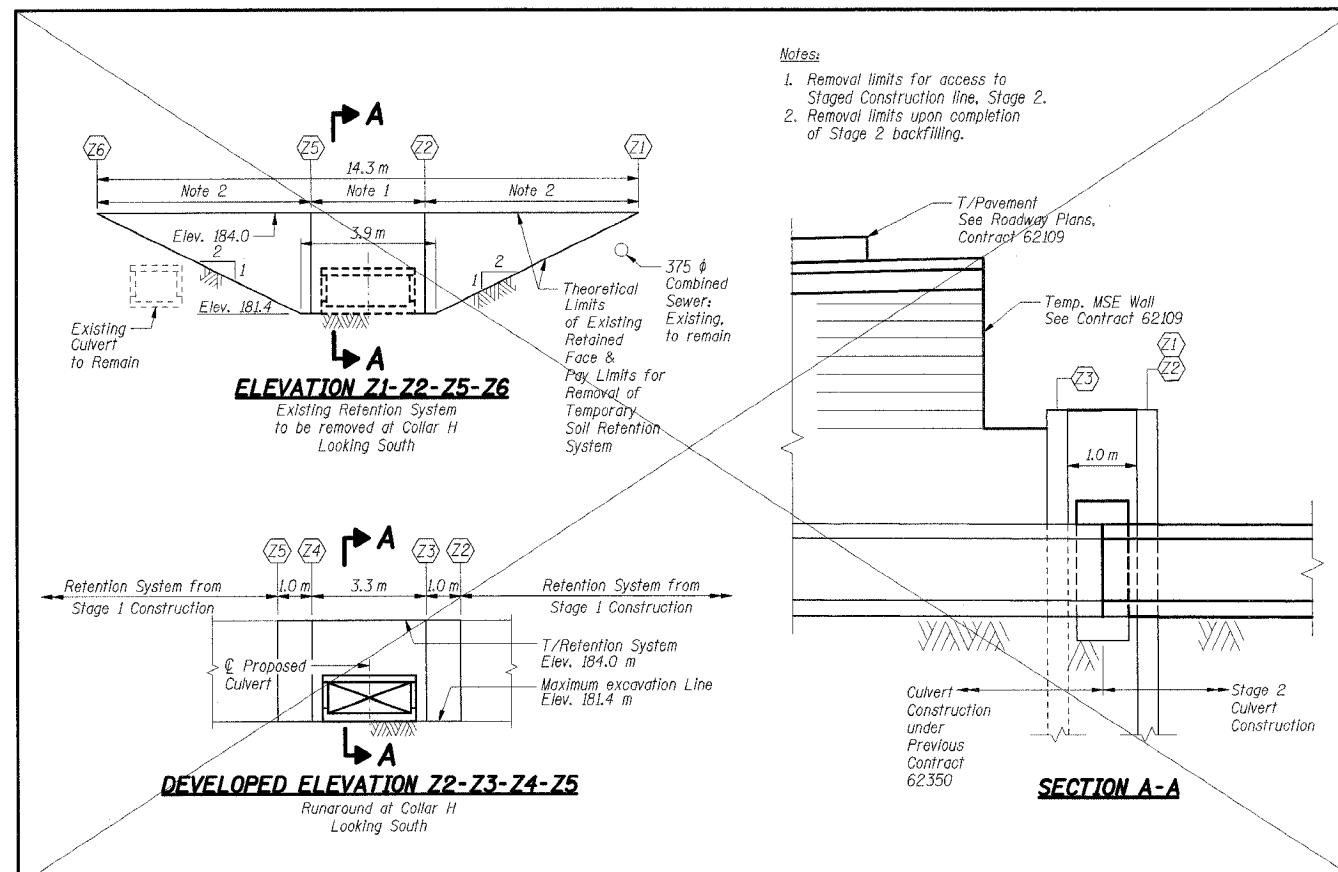


F.A.I. RTE.	SECTION	COUNTY	TOTAL SHEETS	SHEET NO.
		COOK	631	339E
STA.	TO STA.			
FED. ROAD DIST. NO.	ILLINOIS FED. AID PROJECT			
• (2425 & 2626) R-2			CONTRACT NO. 62111	



BILL OF MATERIAL

Item	Unit	Total
Temporary Soil Retention System	Sq m	37
Removal of Temporary Soil Retention System	Sq m	58

SHT. BC-05 OF 11

REVISIONS	
NAME	DATE

ILLINOIS DEPARTMENT OF TRANSPORTATION
F.A.I. ROUTE 80/94 (KINGERY EXPRESSWAY)
EB & WB INSIDE LANES (MAINLINE) CONSTRUCTION
BOX CULVERT
STRUCTURE NO. 016-C013 STA. 5+566.000
SECTIONS 2001-167R AND (2425 & 2626) R-1
COOK COUNTY

TEMPORARY SOIL RETENTION SYSTEM

DATE: 1/4/06
DRAWN BY: OD
CHECKED BY: MJK

TENG
TENG & ASSOCIATES, INC.
ENGINEERS/ARCHITECTS/PLANNERS
CHICAGO, ILLINOIS

VARSHNIKZ
14899002A.DGN, \B:\9902A.DGN
12-30-2005, 09:04:46
1:1-D:\DOCUMENT\B37150\STRUCT\DN\BGT0092A.DGN
12-3-05 14:15:16.17 B 3 2021 2223 242526272829 30 31 3233 34 35 36 37 3839 40 41 4243 44 45 46 47 4849 50 51 52 53 54 55 56 57 5859 60 61 62 63