

F.A.I. R.T.E.	SECTION	COUNTY	TOTAL SHEETS	SHEET NO.
	*	COOK	631	3391
STA.	TO STA.			
FED. ROAD DIST. NO.	ILLINOIS FED. AID PROJECT			
• (2425 & 2626) R-2			CONTRACT NO. 62111	

BAR LIST AND QUANTITIES
Typical Collar

Bar	No.	Size	Length (m)	Shape	
b931	5	#25	5.4	U	
b932	4	#25	3.2	—	
b933	5	#25	2.83	—	
n931	10	#25	1.48	U	
s931	10	#13	1.99	U	
s932	20	#13	1.93	U	
v931	10	#25	2.46	U	
v932	10	#25	1.94	U	
Item				Unit	Total
Concrete Box Culverts				Cu m	2.2
Reinforcement Bars				kg	490

BAR LIST AND QUANTITIES
Completion of Collars E & F

Bar	No.	Size	Length (m)	Shape	
b932	2	#25	3.20	—	
b933	5	#25	2.83	—	
s932	20	#13	1.93	U	
v931	10	#25	2.46	U	
v932	10	#25	1.94	U	
Item				Unit	Total
Concrete Box Culverts				Cu m	1.4
Reinforcement Bars				kg	280

BILL OF MATERIAL

Includes completion of Collars E & F

Item	Unit	Total
Concrete Box Culverts	Cu m	2.7
Reinforcement Bars	kg	560

Notes:

- All dimensions are in millimeters (mm) except as noted.
- The cost of Preformed Joint Filler (P.J.F.) is included with Concrete Box Culverts.

ILLINOIS DEPARTMENT OF TRANSPORTATION
F.A.I. ROUTE 80/94 (KINGERY EXPRESSWAY)
EB & WB INSIDE LANES (MAINLINE) CONSTRUCTION
BOX CULVERT
STRUCTURE NO. 016-C013 STA. 5+566.000
SECTIONS 2001-167R AND (2425 & 2626) R-1
COOK COUNTY

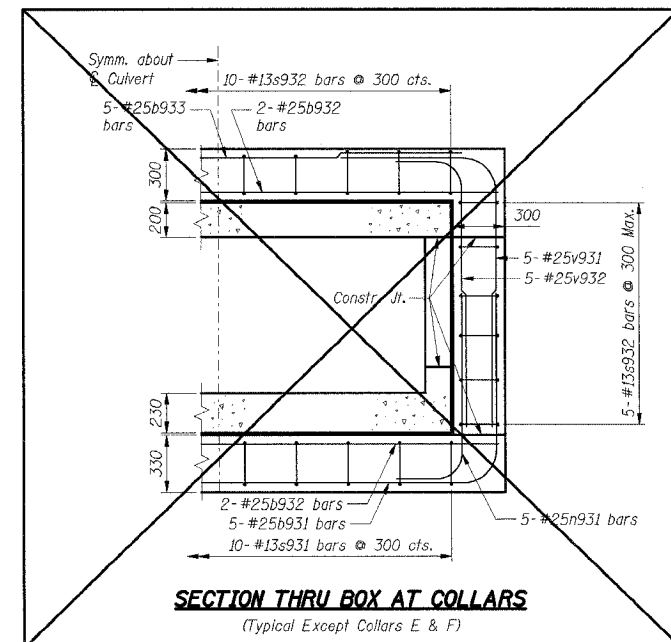
SECTION THROUGH BARREL & SETTLEMENT COLLAR DETAILS

DATE: 1/4/06
DRAWN BY: OD
CHECKED BY: MJK

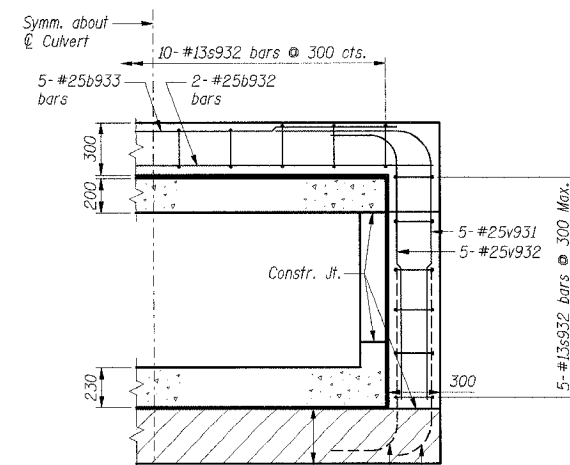
TENG
TENG & ASSOCIATES, INC.
ENGINEERS/ARCHITECTS/PLANNERS
CHICAGO, ILLINOIS

SHT. BC-09 OF 11

REVISIONS	
NAME	DATE

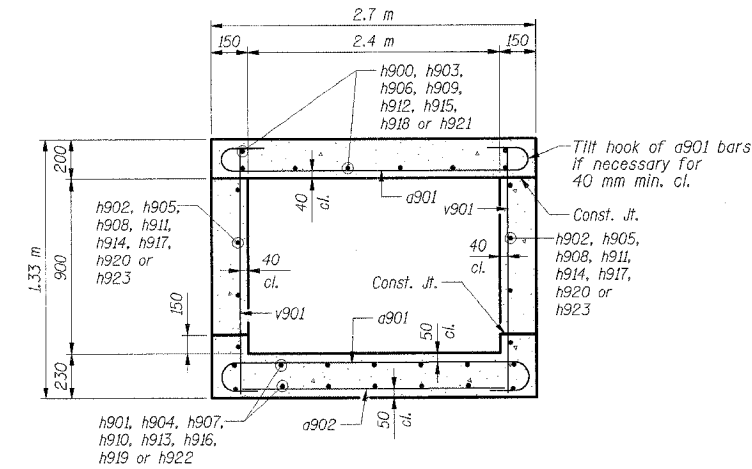


SECTION THRU BOX AT COLLARS
(Typical Except Collars E & F)

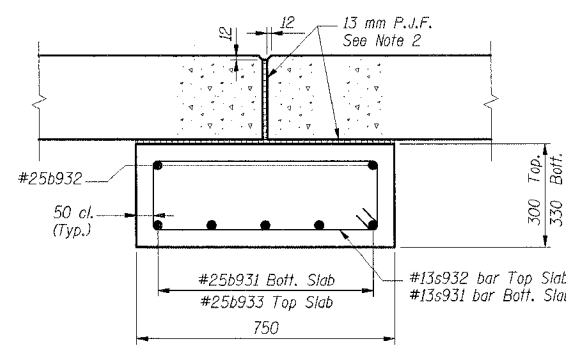


SECTION THRU BOX AT COLLARS E AND F

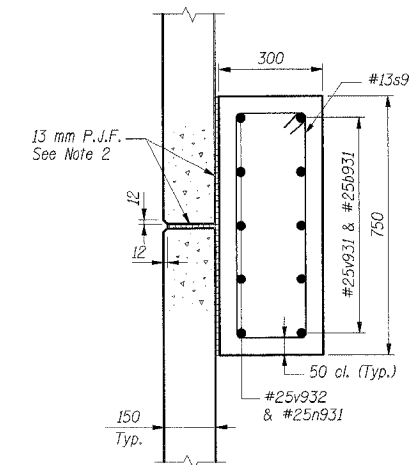
Base of Settlement Collar and Reinforcement Bars By Others in Contracts 62350 and 62110.



SECTION E-E

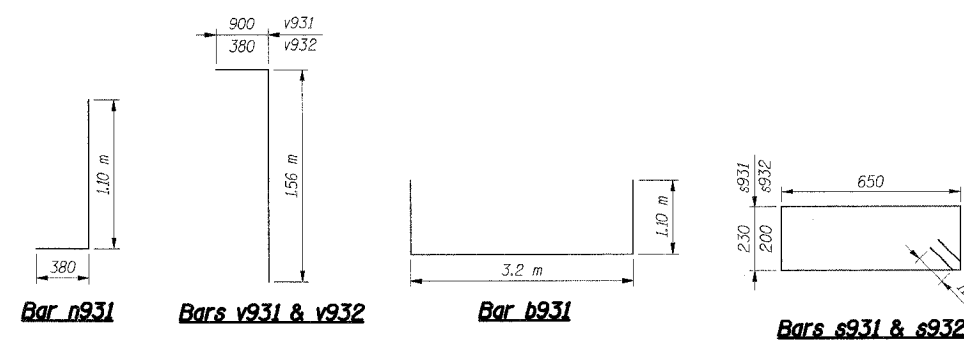


SECTION THRU TOP AND BOTTOM SLAB
(Bottom Slab Shown, Top Slab Inverted)



SECTION THRU SIDEWALL

SETTLEMENT COLLAR DETAILS



\AB99002A.DGN, \SEC0302A.DGN, \SEC0302A.DGN, \SEC06005A.DGN
 12-30-2005 10:00:49 T:\DOCUMENTS\PROJECTS\STRUCT\06\AS\07\02\A.DGN
 12-3-2005 10:12:13 14 15 16 17 18 19 20 21 22 23 24 25 26 27 28 29 30 31 32 33 34 35 36 37 38 39 40 41 42 43 44 45 46 47 48 49 50 51 52 53 54 55 56 57 58 59 60 61 62 63
 VAISHINZ