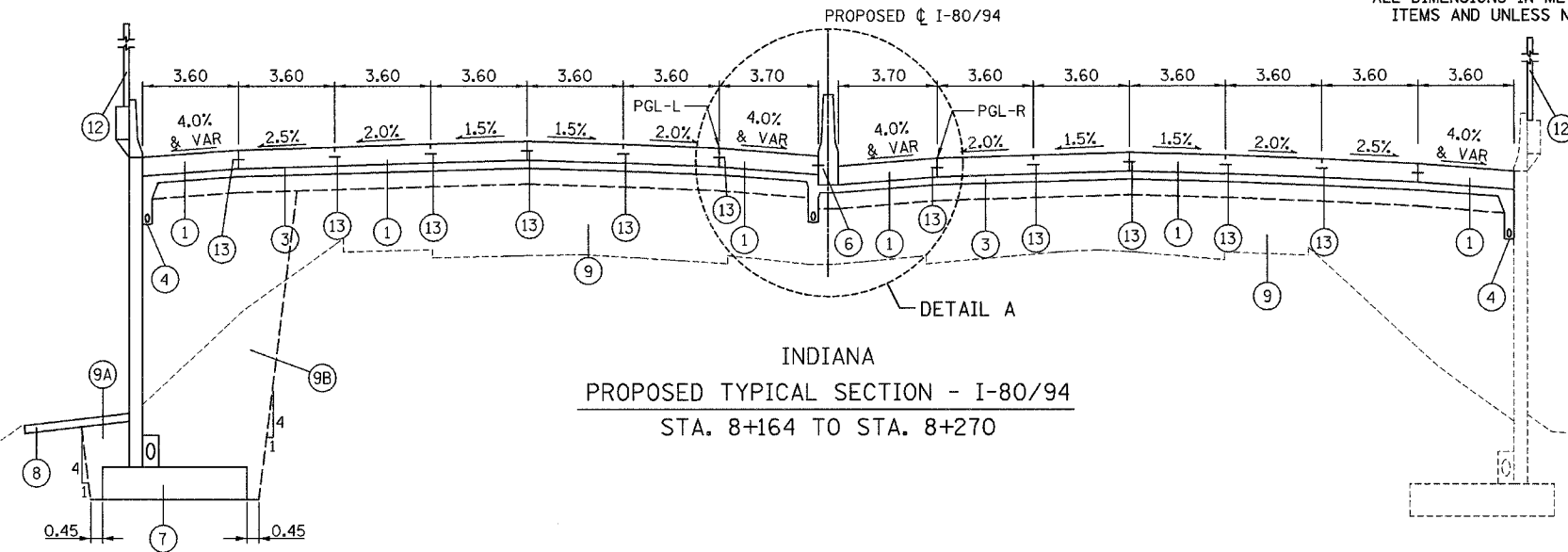
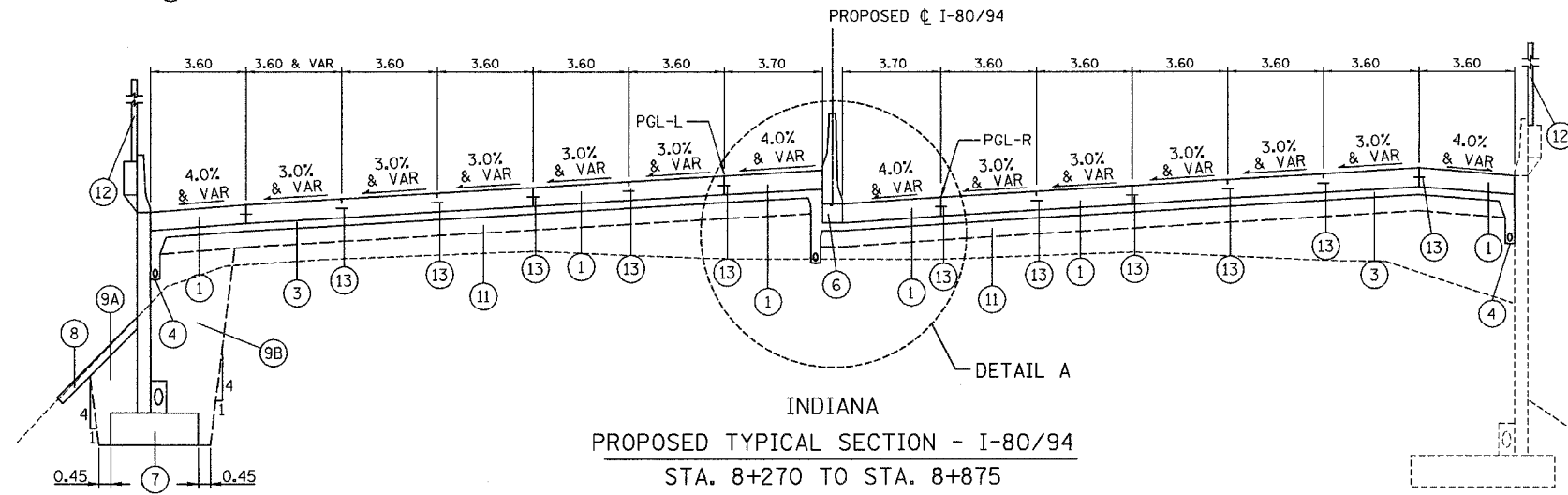


F.A.I. RTE.	SECTION	COUNTY	TOTAL SHEETS	SHEET NO.
80/94	2626.2-R-2	COOK/LAKE	1207	25
STA.		TO STA.		
FED. ROAD DIST. NO.		ILLINOIS	FED. AID PROJECT	
CONTRACT NO. 62114		INDOT DES. NO. 0100987		

ALL DIMENSIONS IN METERS EXCEPT PAY ITEMS AND UNLESS NOTED OTHERWISE

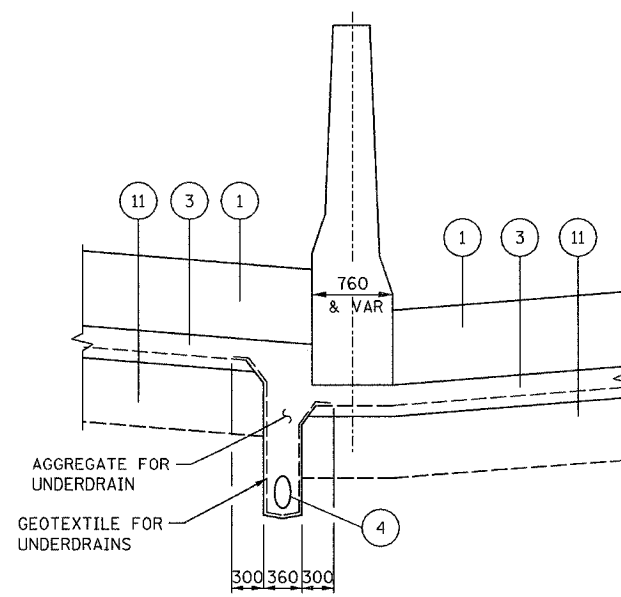


INDIANA
PROPOSED TYPICAL SECTION - I-80/94
STA. 8+164 TO STA. 8+270

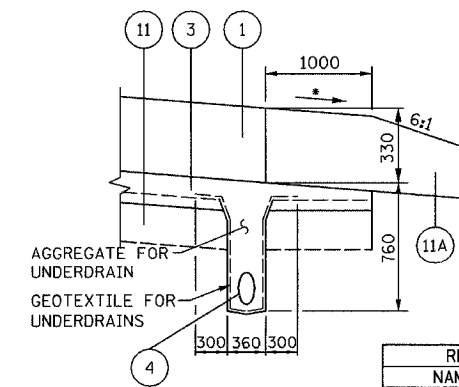


INDIANA
PROPOSED TYPICAL SECTION - I-80/94
STA. 8+270 TO STA. 8+875

NOTE:
FOR PROPOSED LEGEND (INDIANA) SEE PROPOSED TYPICAL SECTION LEGENDS AND TABLES.



DETAIL A
TYPICAL INDIANA UNDER DRAIN DETAILS
DIMENSIONS ARE IN MM UNLESS OTHERWISE NOTED



DETAIL B

* MATCH ADJACENT PAVEMENT

REVISIONS	
NAME	DATE

ILLINOIS DEPARTMENT OF TRANSPORTATION
I-80/94/US 6
KINGERY-BORMAN EXPRESSWAY
BURNHAM ROAD TO US 41
PROPOSED TYPICAL SECTION
STA. 8+164 to STA. 8+875
I-80/94/US 6

SCALE NTS
DATE 07/05

DRAWN BY ACE/CAD
CHECKED BY TAE

AMERICAN
CONSULTING ENGINEERS