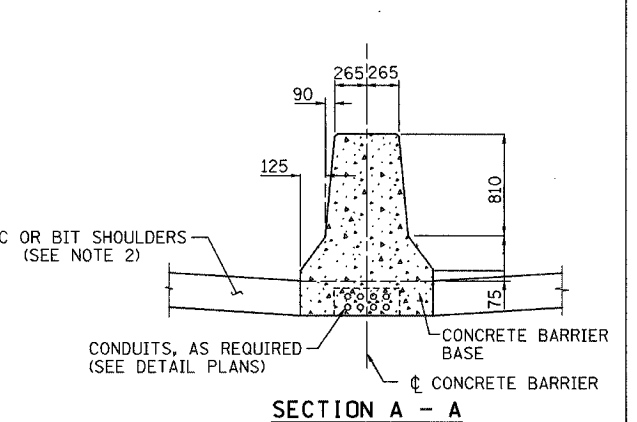
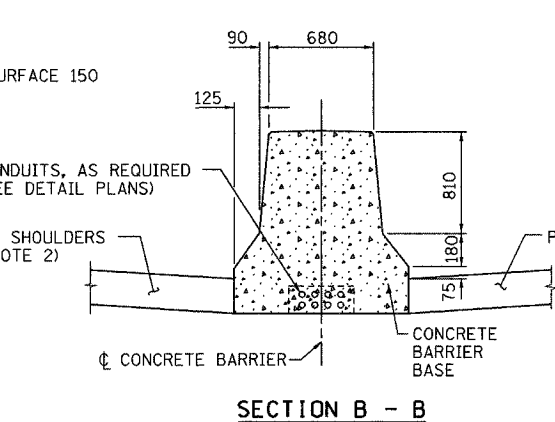
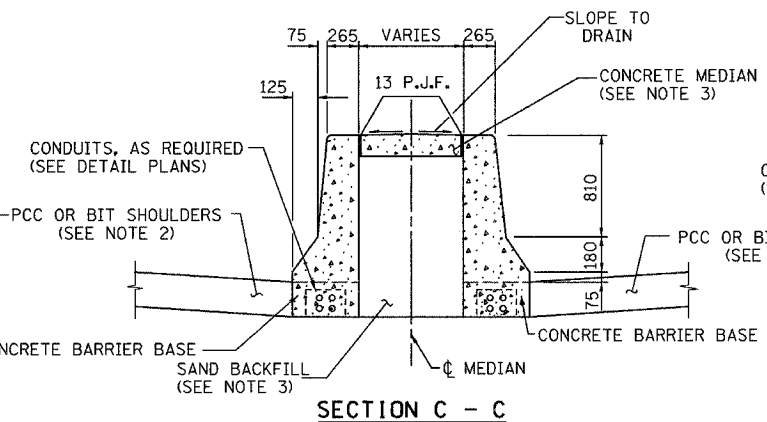
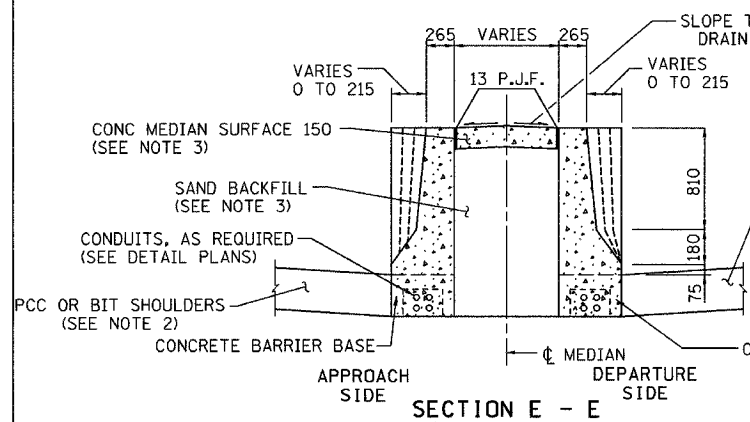
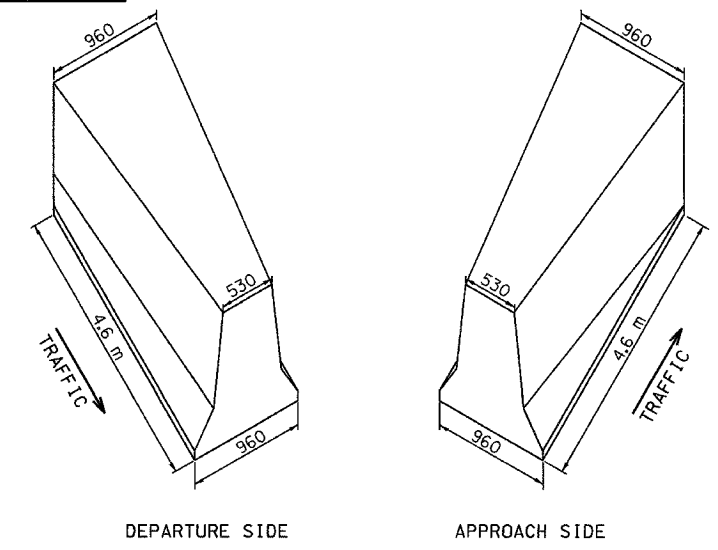
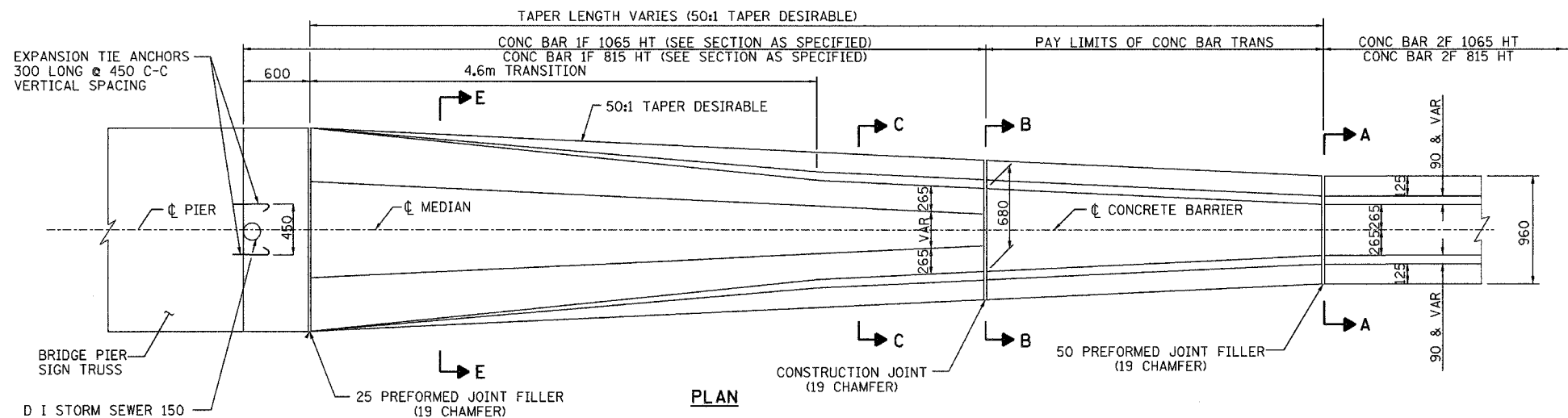
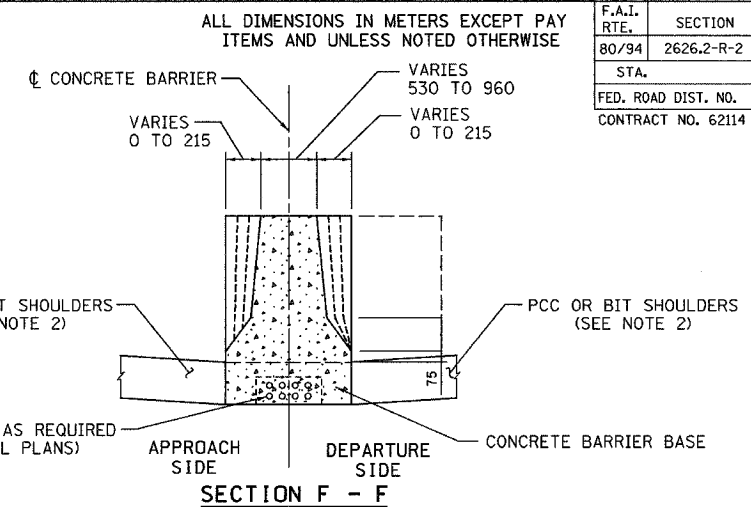
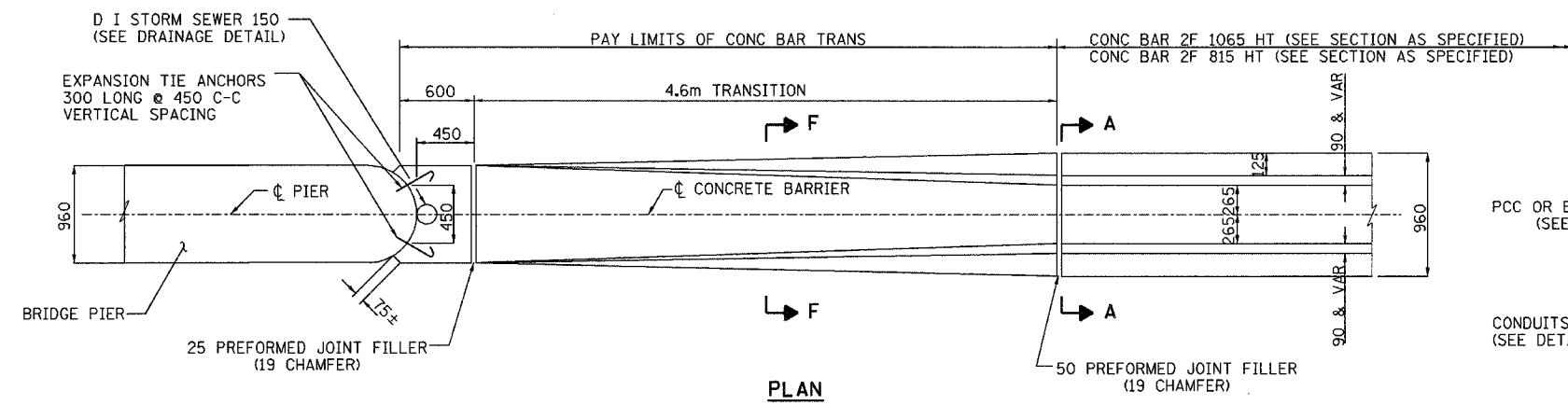


F.A.I. RTE.	SECTION	COUNTY	TOTAL SHEETS	SHEET NO.
80/94	2626.2-R-2	COOK/LAKE	1207	92
STA.	TO STA.			
FED. ROAD DIST. NO.	ILLINOIS FED. AID PROJECT			
CONTRACT NO. 62114	INDOT DES. NO. 0100987			



**NOTES:**

- 1) FOR ADDITIONAL CONCRETE BARRIER DETAILS, INCLUDING TIE BAR PLACEMENT, SEE THE TYPICAL SECTION SHEETS AND CONCRETE BARRIER DETAILS, OF THE HEIGHT SPECIFIED.
- 2) FOR ADDITIONAL SHOULDER DETAILS SEE TYPICAL SECTIONS, PIPE UNDERDRAIN & SHOULDER DETAILS SHEET AND STANDARDS 601001,482006,483001 & 482001.
- 3) SAND BACKFILL AND CONCRETE MEDIAN SURFACE 150 WILL BE REQUIRED. FILLING WITH CONCRETE WILL NOT BE ALLOWED. THIS WORK SHALL BE PAID FOR SEPARATELY.

- 4) FURNISHING AND INSTALLING THE PREFORMED JOINT FILLER OF THE SIZE SPECIFIED SHALL BE INCLUDED IN THE COST OF THE CONCRETE BARRIER OF THE TYPE INVOLVED.
- 5) FURNISHING AND INSTALLING THE 19 EXPANSION TIE ANCHORS SHALL BE INCLUDED IN THE COST OF THE CONCRETE BARRIER OF THE TYPE INVOLVED.
- 6) THE REMOVAL OF THE EXISTING CONCRETE END BLOCKS IF APPLICABLE SHALL BE INCLUDED IN THE COST OF THE CONCRETE BARRIER OF THE TYPE INVOLVED.

REVISIONS	
NAME	DATE
MDV	01/30/04
MRN	3/29/04
MRN	8/04/04
NLP	8/04/05

ILLINOIS DEPARTMENT OF TRANSPORTATION  
1-80/94/US 6  
KINGERY-BORMAN EXPRESSWAY  
BURNHAM ROAD TO US 41

**CONCRETE BARRIER DETAILS**

SCALE NONE DRAWN BY ACE/CAD  
DATE 07/05 CHECKED BY TAE

**AMERICAN**  
CONSULTING ENGINEERS