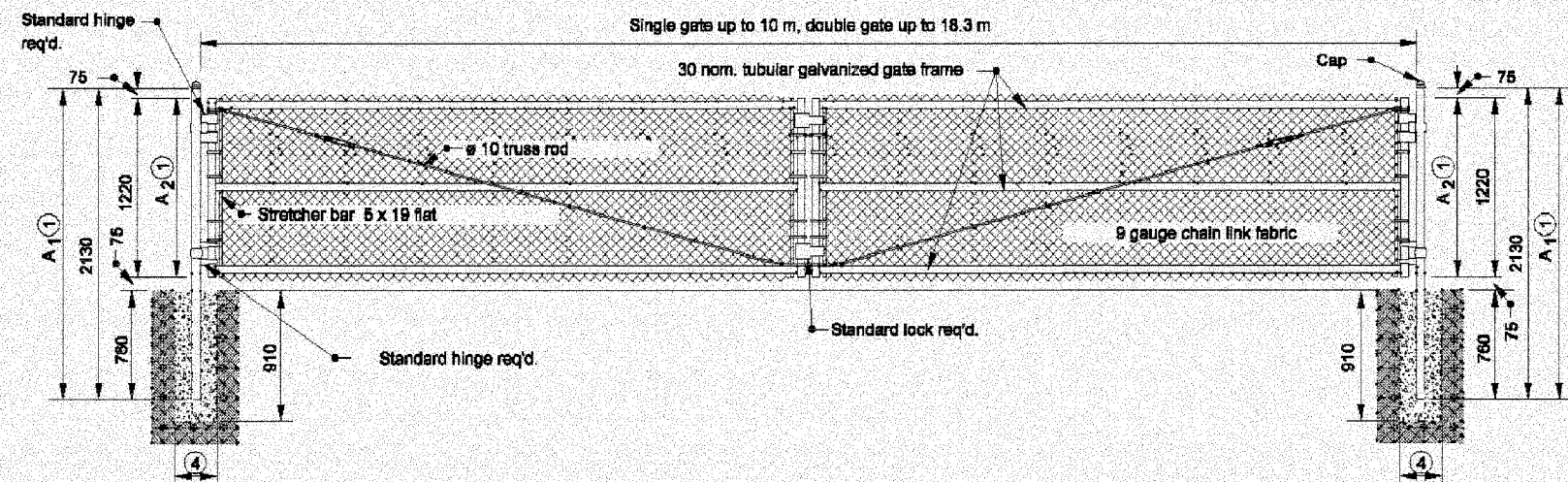


F.A.I. RTE.	SECTION	COUNTY	TOTAL SHEETS	SHEET NO.
80/94	2626.2-R-2	COOK/LAKE	1207	108A
STA.		TO STA.		
FED. ROAD DIST. NO.		ILLINOIS FED. AID PROJECT		
CONTRACT NO. 62114		INDOT DES. NO. 0100987		



CHAIN LINK GATE

- GENERAL NOTES**
- ① For each additional 300 in height increase dimension A_1 and A_2 by 300.
 2. See Standard Drawing 603-CLTF-01 for the tubular post chart.
 3. Dimensions as shown are for 1220 fence.
 - ④ Diameter equals 250 plus the outside diameter of the post.

All dimensions are in mm unless otherwise specified

INDIANA DEPARTMENT OF TRANSPORTATION	
CHAIN LINK TYPE GATE	
SEPTEMBER 2004	
STANDARD DRAWING NO. 603-CLTF-03	
	/s/ Richard L. VanCleave 9-01-04 DESIGN STANDARDS ENGINEER DATE
	/s/ Richard K. Smutzer 9-01-04 CHIEF HIGHWAY ENGINEER DATE