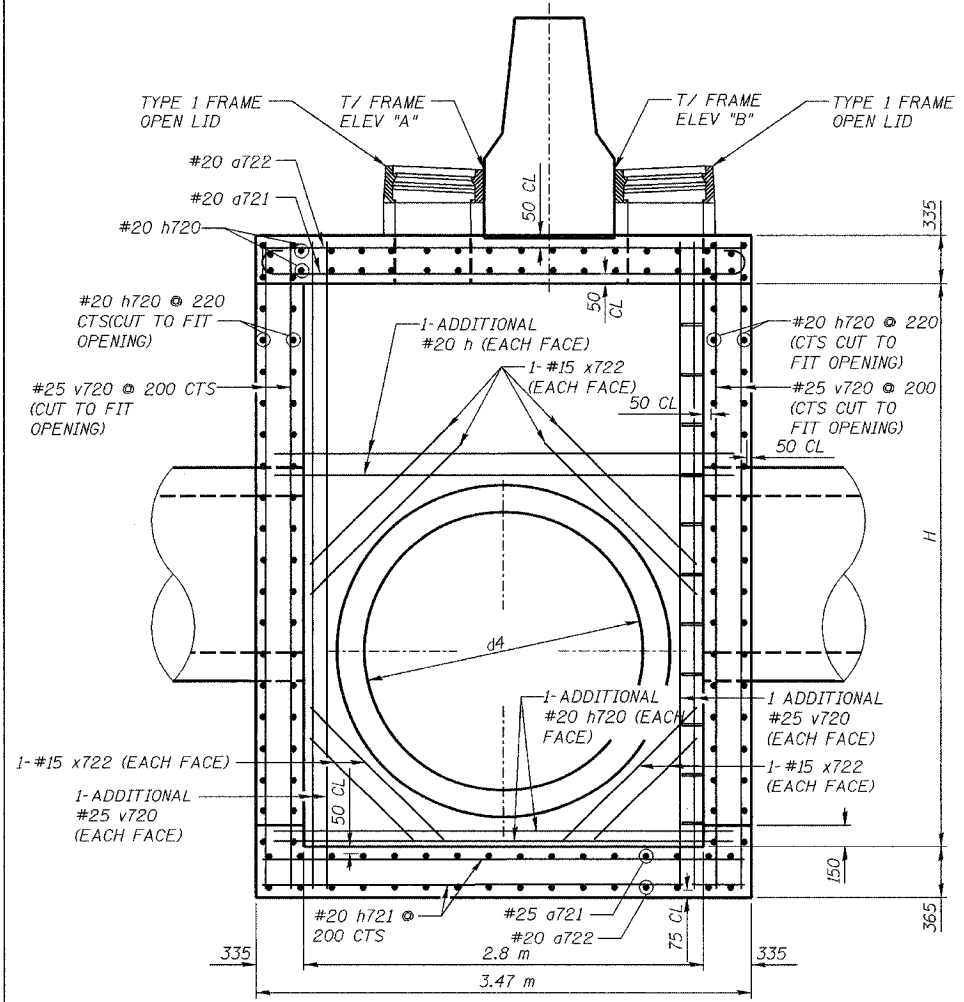
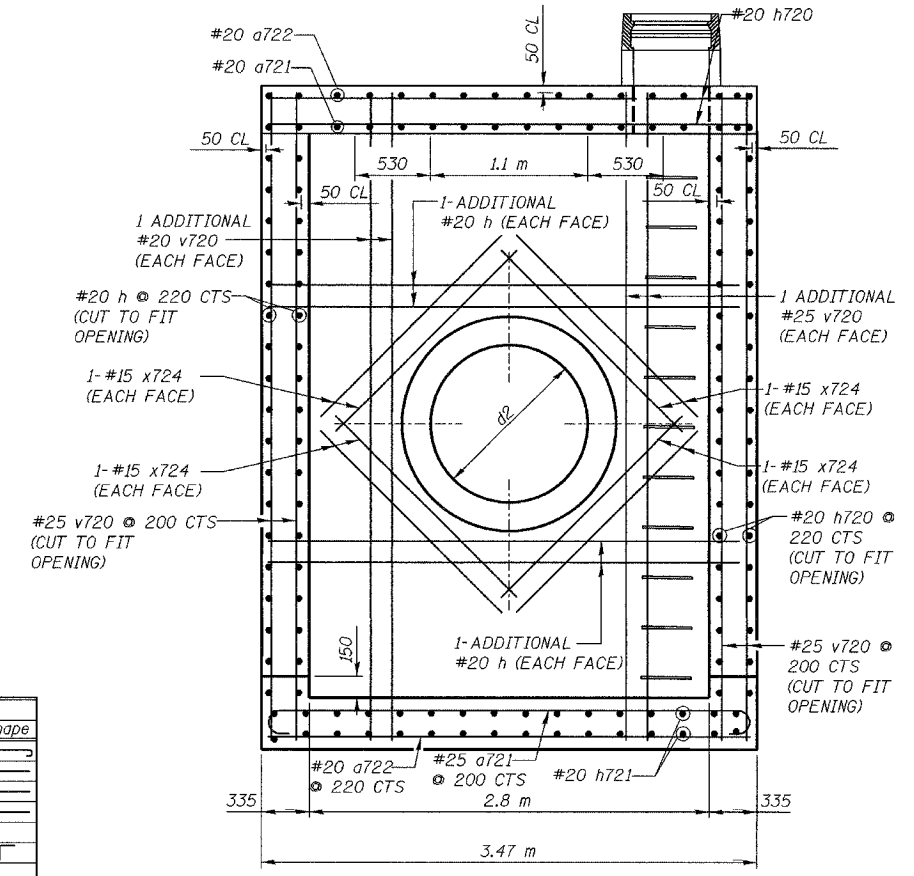
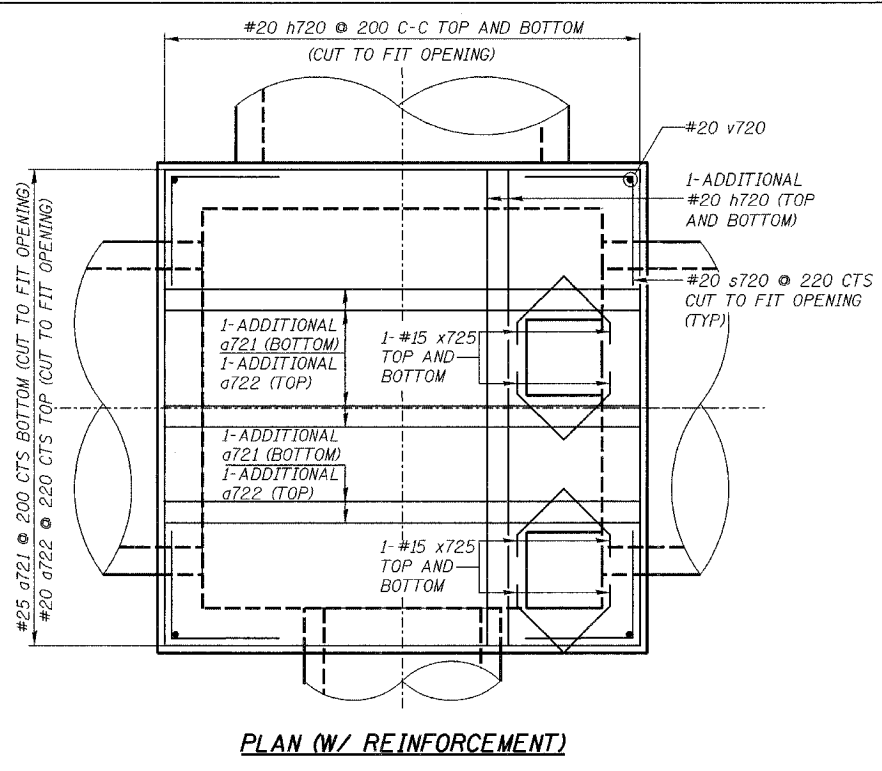
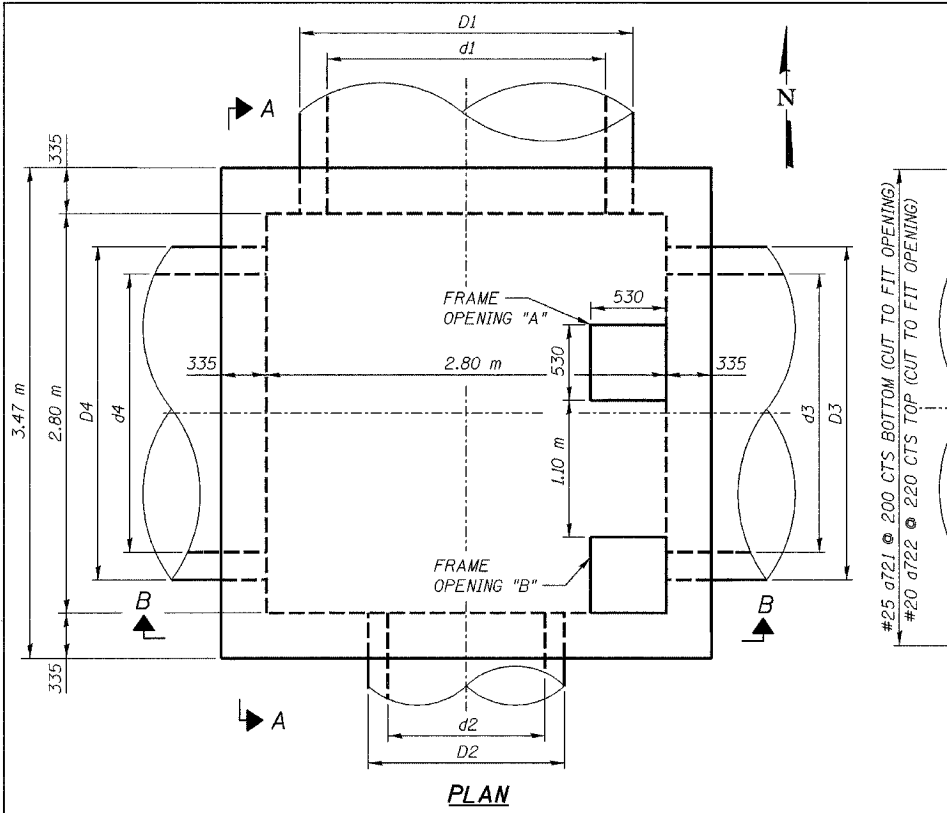


F.A.I. RTE. 80/94	SECTION 2626.2-R-2	COUNTY COOK/LAKE	TOTAL SHEETS 1207	SHEET NO. 287
STA. TO STA.		ILLINOIS FED. AID PROJECT		
FED. ROAD DIST. NO.		INDOT DES. NO. 0100987		
CONTRACT NO. 62114				

ALL DIMENSIONS IN MILLIMETERS EXCEPT PAY ITEMS AND UNLESS NOTED OTHERWISE

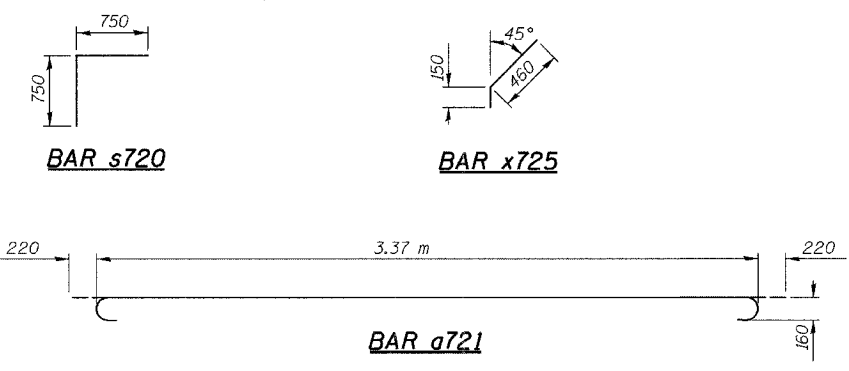


BAR LIST

BAR	SIZE	STR NO A74		STR NO A82		STR NO A90		STR NO A96		Shape
		NO.	LENGTH(m)	NO.	LENGTH(m)	NO.	LENGTH(m)	NO.	LENGTH(m)	
a721	#25	44	3.81	44	3.81	44	3.81	44	3.81	—
a722	#20	23	3.37	23	3.37	23	3.37	23	3.37	—
h720	#20	146	3.37	170	3.37	194	3.37	202	3.37	—
h721	#20	57	3.32	57	3.32	57	3.32	57	3.32	—
s720	#20	48	1.50	60	1.50	72	1.50	76	1.50	┌
v720	#25	184	2.18	184	2.94	184	3.54	184	3.82	—
x721	#15	16	1.13	N/A	N/A	N/A	N/A	16	2.53	—
x722	#15	16	1.30	N/A	N/A	N/A	N/A	16	0.60	—
x723	#15	16	2.53	16	2.53	16	2.53	N/A	N/A	—
x724	#15	16	1.65	16	2.53	16	2.53	16	2.53	—
x725	#15	16	0.61	16	0.61	16	0.61	16	0.61	┘

STRUCTURE DETAILS AND DIMENSIONS

STR. NO.	LOCATION	PIPE 1 (N)		PIPE 2 (S)		PIPE 3 (E)		PIPE 4 (W)		T/FRAME. ELEV "A"	T/FRAME. ELEV "B"	T/SLAB ELEV	HEIGHT "H"				
		d1	INVERT	d2	INVERT	d3	INVERT	d4	INVERT								
A74	7+635.00, 0.00 m LT	750	180.480	928	900	180.213	1104	1950	179.542	2332	1200	179.542	1454	182.494	182.939	181.984	2.30
A82	7+755.00, 0.00 m LT	-	-	-	-	-	-	1950	179.404	2332	1950	179.404	2332	183.207	183.306	182.607	3.06
A90	7+875.00, 0.00 m LT	-	-	-	-	-	-	1950	179.266	2332	1950	179.266	2332	183.671	183.673	183.071	3.66
A96	7+942.00, 0.00 m LT	1950	179.187	2332	300	181.950	402	-	-	-	1950	179.189	2332	183.877	183.878	183.277	3.95



DESIGN STRESSES

CONCRETE $f'_c = 24 \text{ MPa}$
 REINFORCEMENT $f_y = 400 \text{ MPa}$

REVISIONS	
NAME	DATE

ILLINOIS DEPARTMENT OF TRANSPORTATION
 I-80/94/US 6
 KINGERY-BORMAN EXPRESSWAY
 BURNHAM ROAD TO US 41
JUNCTION CHAMBER NO. 3

SCALE NTS
 DATE 07/05

DRAWN BY ACE/CAD
 CHECKED BY TAE

AMERICAN
 CONSULTING ENGINEERS

FURNISH AND INSTALL CAST IRON STEPS, STD 602701