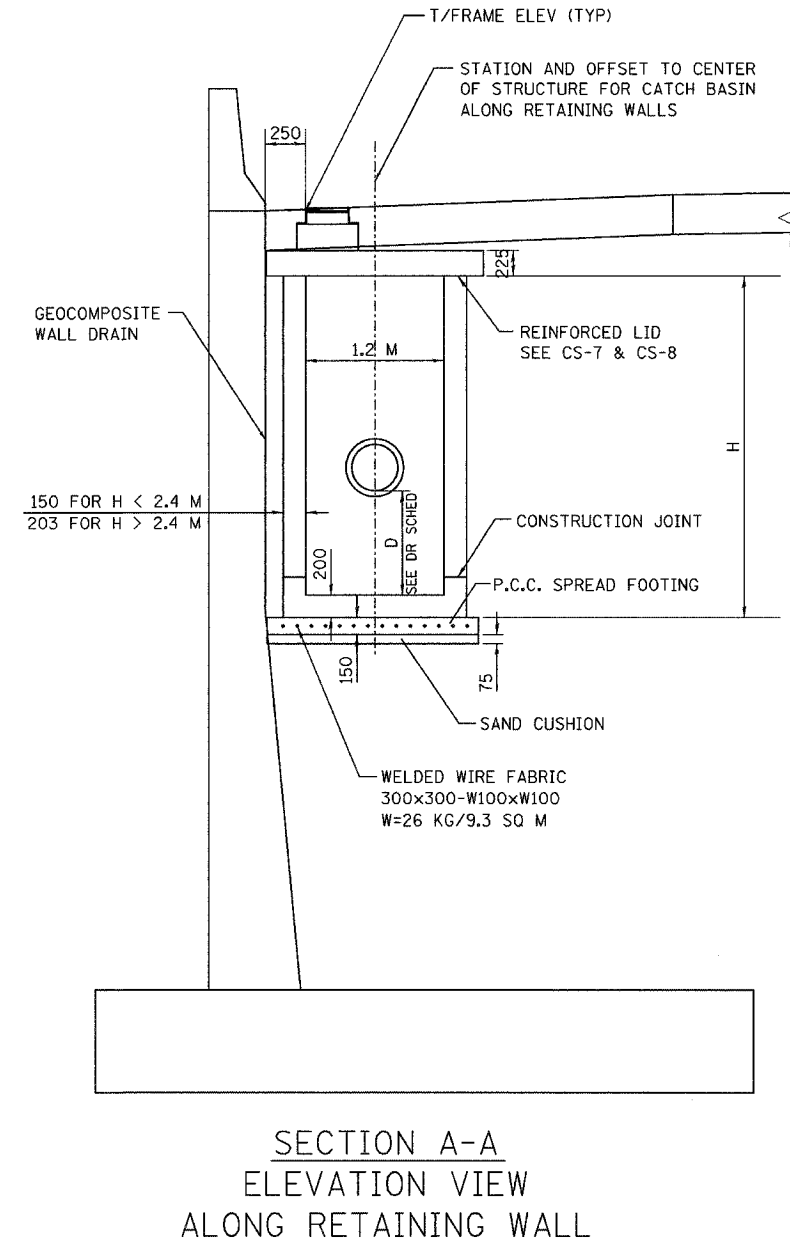
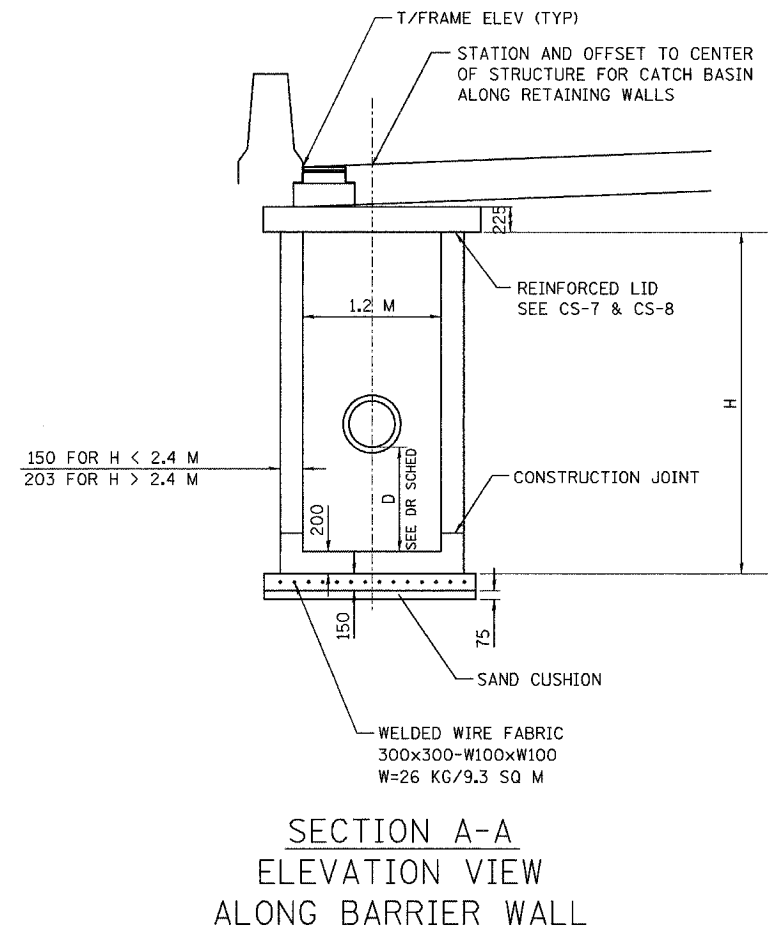
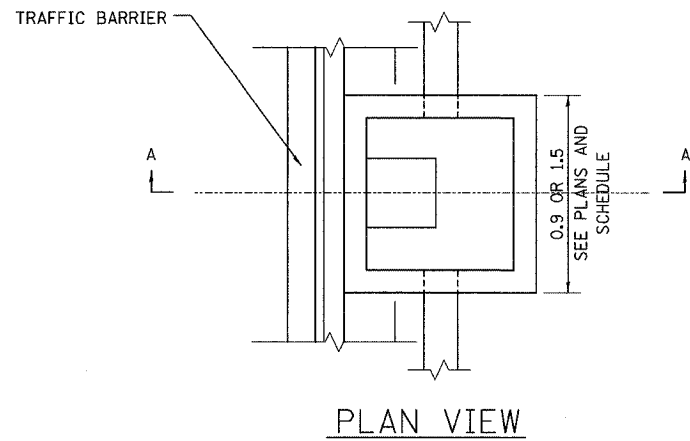


ALL DIMENSIONS IN METERS EXCEPT PAVEMENT ITEMS AND UNLESS NOTED OTHERWISE

F.A.I. RTE.	SECTION	COUNTY	TOTAL SHEETS	SHEET NO.
80/94	2626.2-R-2	COOK/LAKE	1207	291
STA.		TO STA.		
FED. ROAD DIST. NO.		ILLINOIS FED. AID PROJECT		
CONTRACT NO. 62114		INDOT DES. NO. 0100987		



CATCH BASIN 1.2X0.9 SPL T20 F&G  
AND  
CATCH BASIN 1.2X1.5 SPL T22 F&G

REVISIONS	
NAME	DATE

ILLINOIS DEPARTMENT OF TRANSPORTATION  
I-80/94/US 6  
KINGERY-BORMAN EXPRESSWAY  
BURNHAM ROAD TO US 41

**DRAINAGE DETAILS**

SCALE NONE  
DATE 07/05

DRAWN BY ACE/CAD  
CHECKED BY TAE

**AMERICAN**  
CONSULTING ENGINEERS