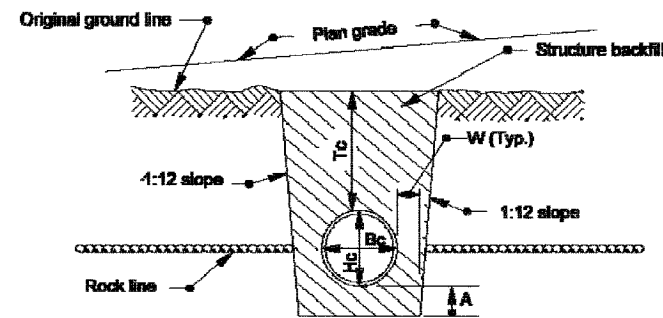


F.A.I. RTE.	SECTION	COUNTY	TOTAL SHEETS	SHEET NO.
80/94	2626.2-R-2	COOK/LAKE	1207	300
STA.	TO STA.			
FED. ROAD DIST. NO.	ILLINOIS	FED. AID PROJECT		
CONTRACT NO. 62114	INDOT DES. NO. 0100987			



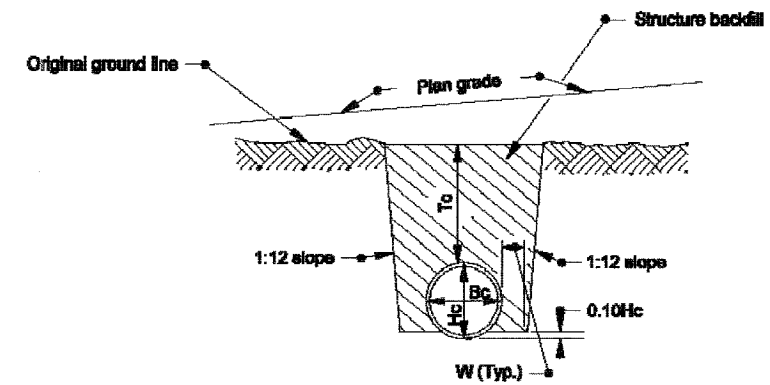
**SECTION B-B  
ROCK FOUNDATION**

**LEGEND**

- Hc = Overall diameter or rise (Typ.)
- Bc = Overall diameter or span
- A = 200 min. for fill height up to 5.0 m  
= 300 min. for fill height of 5.0 m or more
- Tc = Trench cover depth
- W = 0.3 Bc or 230, whichever is greater
- ⑦ E = Encasement

**NOTE**

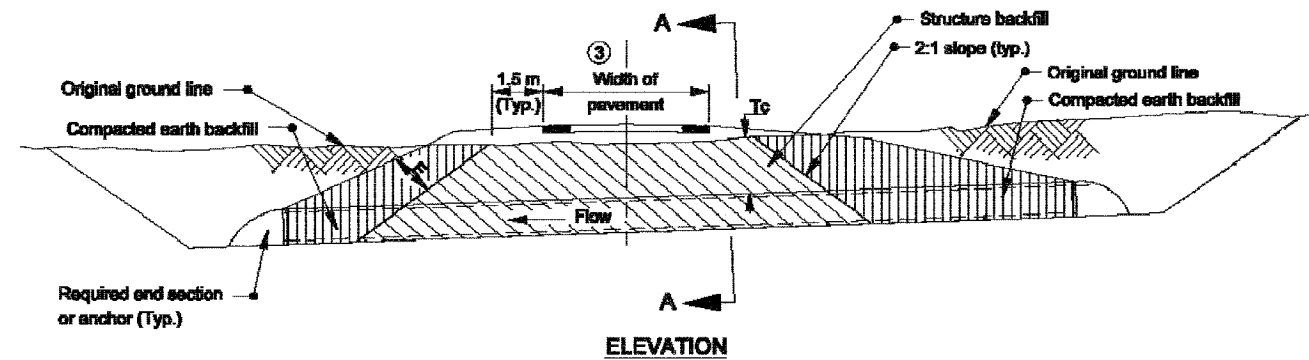
1. Refer to Standard Drawing 715-BKFL-09 for general notes.



**SECTION B-B**

**METHOD 1 BACKFILL**

Structures under mainline pavement and public road approaches.



**ELEVATION**

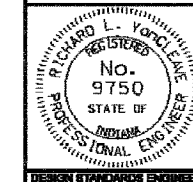
All Dimension are in mm unless otherwise specified

INDIANA DEPARTMENT OF TRANSPORTATION

**PIPE STRUCTURE BACKFILL  
TRENCH INSTALLATIONS**

SEPTEMBER 2005

STANDARD DRAWING NO. 715-BKFL-03



/s/ Richard L. VanCleave 9-01-05  
DESIGN STANDARDS ENGINEER DATE

/s/ Richard K. Smutzer 9-01-05  
CHIEF HIGHWAY ENGINEER DATE

DESIGN STANDARDS ENGINEER