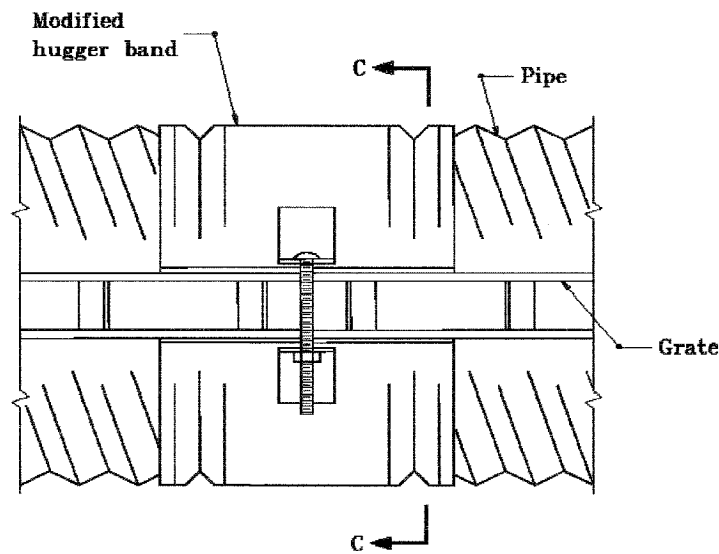
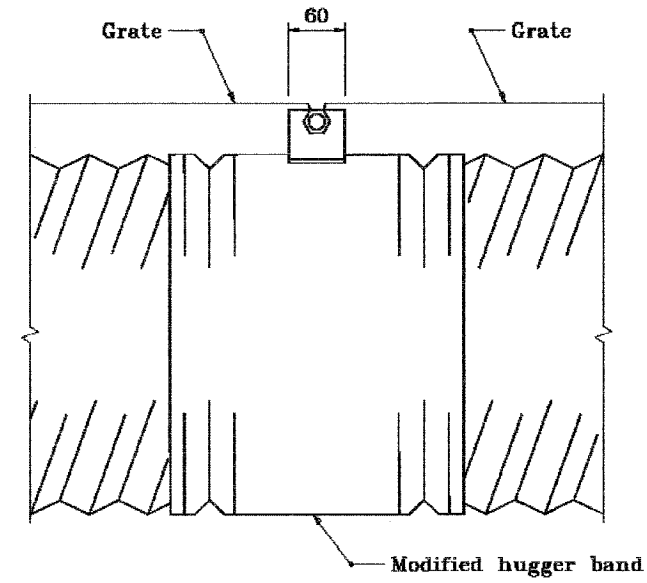


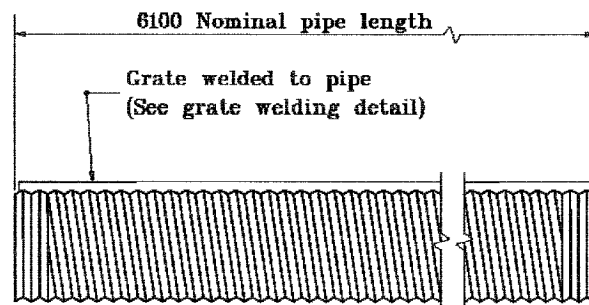
| | | | | |
|---------------------|------------------------|------------------|--------------|-----------|
| F.A.I. RTE. | SECTION | COUNTY | TOTAL SHEETS | SHEET NO. |
| 80/94 | 2626.2-R-2 | COOK/LAKE | 1207 | 302A |
| STA. | TO STA. | | | |
| FED. ROAD DIST. NO. | ILLINOIS | FED. AID PROJECT | | |
| CONTRACT NO. 62114 | INDOT DES. NO. 0100987 | | | |



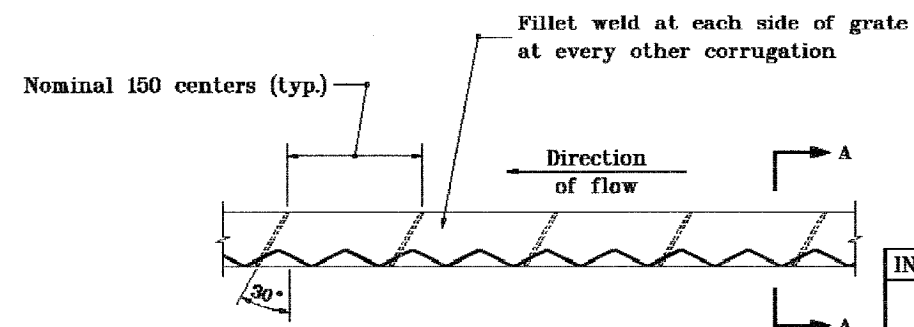
**MODIFIED HUGGER BAND
TOP VIEW**



**MODIFIED HUGGER BAND
SIDE VIEW**



TYPICAL PIPE SECTION



GRATE WELDING DETAIL

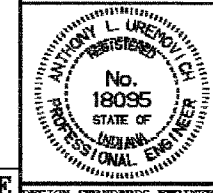
All dimensions are in mm unless otherwise specified.

INDIANA DEPARTMENT OF TRANSPORTATION

SLOTTED DRAIN PIPE

APRIL 1995

STANDARD DRAWING NO. 715-SLDR-01



/s/ Anthony L. Uremovich 4-03-95
DESIGN STANDARDS ENGINEER DATE

/s/ Donald W. Liles 4-03-95
CHIEF HIGHWAY ENGINEER DATE

Source Sheet: NONE