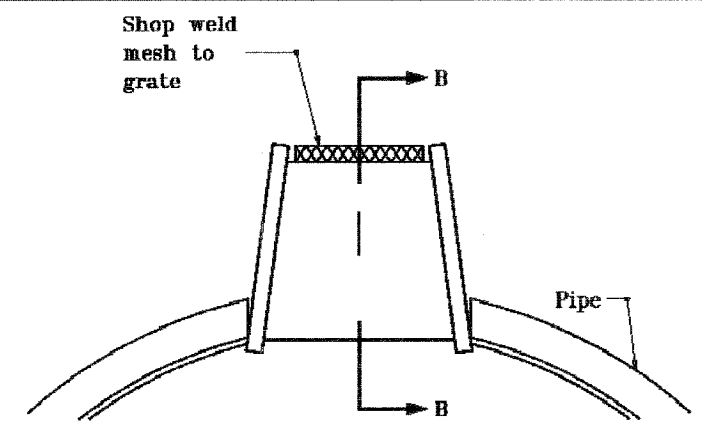
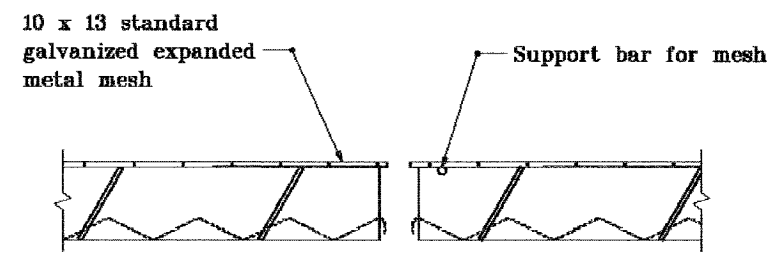


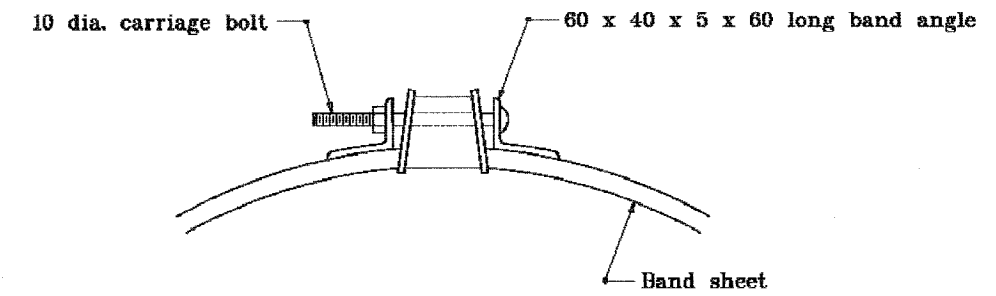
**SECTION A-A
STANDARD GRATE DETAIL**



**SECTION A-A
GRATE DETAIL WITH MESH**



SECTION B-B



SECTION C-C

STANDARD SIZES						
PIPE THICK-NESS	DIAMETER OF PIPE					
	300	375	450	600	750	900
1.63	X	X	X	X	X	X
2.01	X	X	X	X	X	X
2.77	N.A.	N.A.	N.A.	N.A.	X	X

X - Size available for designated thickness
 N.A. - Size not available for designated thickness

All dimensions are in mm unless otherwise specified.

INDIANA DEPARTMENT OF TRANSPORTATION

SLOTTED DRAIN PIPE

JANUARY 1998

STANDARD DRAWING NO. **715-SLDR-02**

	/s/ Anthony L. Uremovich 1-02-98 DESIGN STANDARDS ENGINEER DATE
	/s/ Donald W. Lucas 1-02-98 CHIEF HIGHWAY ENGINEER DATE

Source Sheet: **NONE**