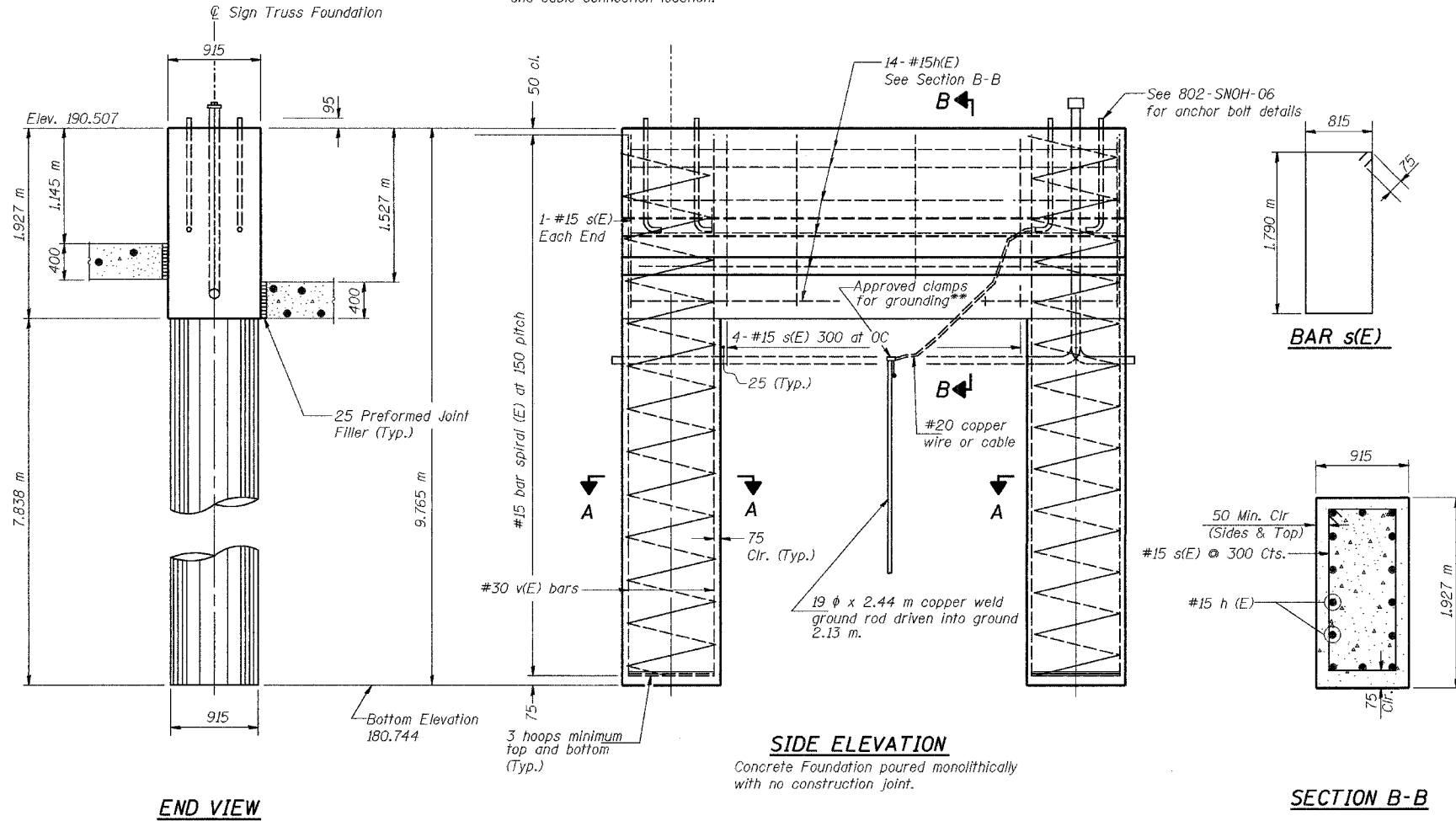


STATE OF ILLINOIS  
DEPARTMENT OF TRANSPORTATION

ALL DIMENSIONS IN MILLIMETERS EXCEPT  
PAY ITEMS AND UNLESS NOTED OTHERWISE

F.A.I. RTE.	SECTION	COUNTY	TOTAL SHEETS	SHEET NO.
80/94	2626.2-R-2	COOK/LAKE	1207	405
STA.		TO STA.		
FED. ROAD DIST. NO.		ILLINOIS FED. AID PROJECT		
CONTRACT NO. 62114		INDOT DES. NO. 0100987		

\*\* Anchor rod shall be ground or filed to bright metal at clamp and cable connection location.

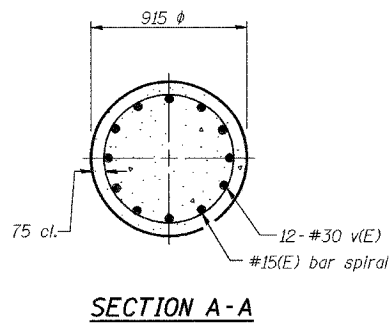
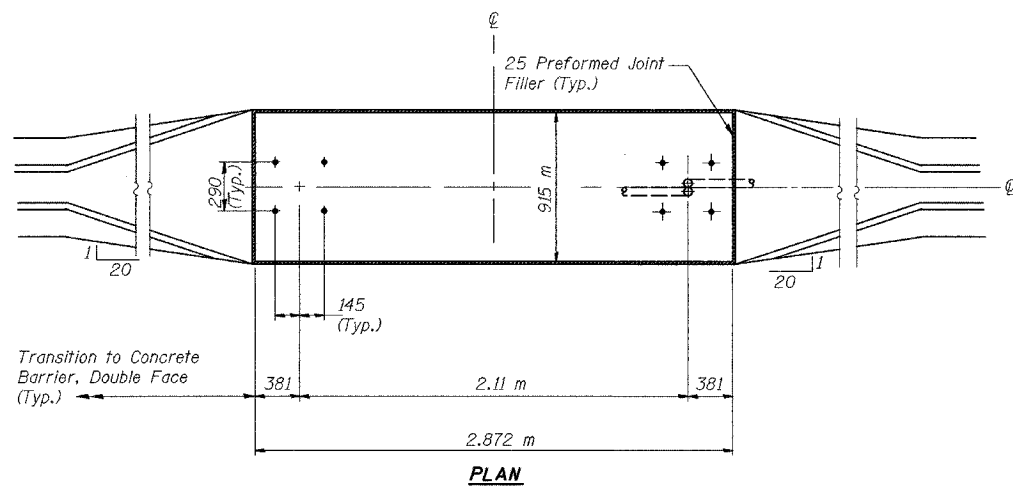


- NOTES:
- If the conditions encountered are different than those indicated, the Contractor shall notify the Engineer to determine if the foundation dimensions need to be modified. If the caisson depth is revised by more than 305 by the Contractor, "as-built" plans shall be prepared and submitted to the District Bureau of Operations for future reference.
  - No sonotubes or decomposable forms shall be used below the lower conduit entrance.
  - Permanent metal forms or other shielding may not be left in place below that elevation without the Engineer's written permission.
  - Concrete shall be placed monolithically, without construction joints.
  - Backfill shall be placed prior to erection of support column.
  - A normal surface finish followed by a Bridge Seat Sealer application will be required on concrete surfaces above the lowest elevation 150 below finished ground line.

At caissons extending into granular soil or at locations where the underground water extends within a sand layer, a temporary casing should be required. At water locations, the temporary casing should extend down to the top of clay layer and sealed at least 150mm into the cohesive soil.

BILL OF MATERIALS

Bar	Number	Size	Length	Shape
h(E)	14	#15	2.77 m	—
s(E)	7	#15	3.83 m	□
v(E)	24	#30	9.63 m	—
#15(E) bar spiral see Side Elevation				
			Unit	Quantity
Reinforcing Steel, Sign Foundation (Indiana)			kg	2,240
Concrete Sign Foundation (Indiana)			m <sup>3</sup>	15.6



DESIGNED	BPS
CHECKED	KFA
DRAWN	MJB
CHECKED	GSP

REVISIONS	
NAME	DATE

ILLINOIS DEPARTMENT OF TRANSPORTATION  
I-80/94/US 6  
KINGERY-BORMAN EXPRESSWAY  
BURNHAM ROAD TO US 41  
**INDIANA SIGN STRUCTURE  
FOUNDATION - STA. 8 + 264.972**

SCALE NTS  
DATE 07/05

DRAWN BY ACE/CAD  
CHECKED BY

**AMERICAN**  
CONSULTING ENGINEERS