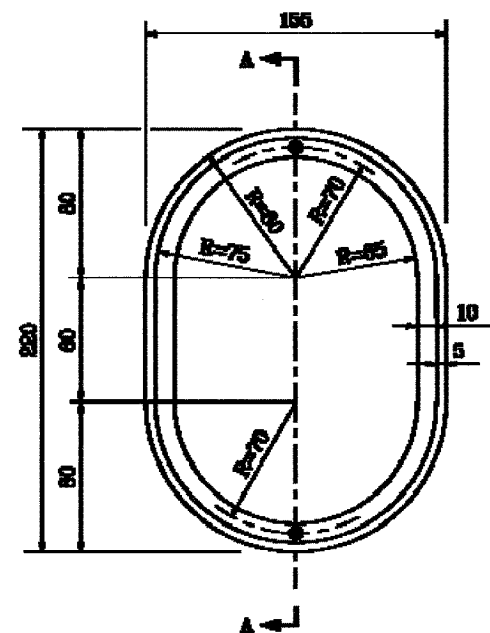
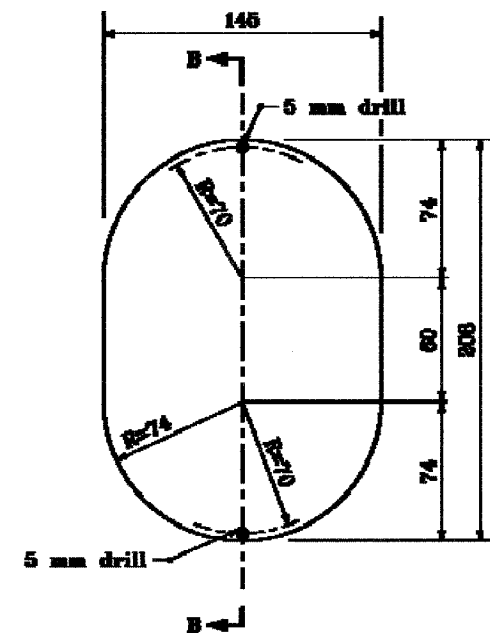


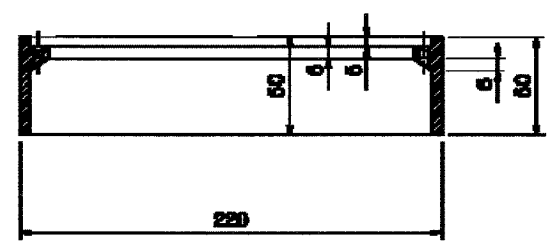
F.A.I. RTE.	SECTION	COUNTY	TOTAL SHEETS	SHEET NO.
80/94	2626.2-R-2	COOK/LAKE	1207	422
STA.	TO STA.			
FED. ROAD DIST. NO.	ILLINOIS	FED. AID PROJECT		
CONTRACT NO. 62114	INDOT DES. NO. 0100987			



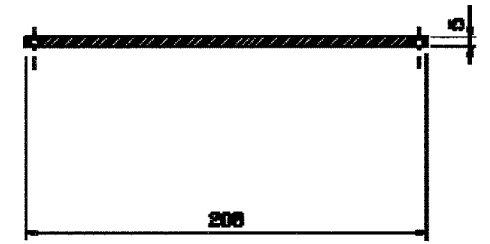
ELECTRICAL CONDULET



CONDULET COVER



SECTION A-A



SECTION B-B

GENERAL NOTES

1. Drill and tap (thru) two-3.3mm holes with M4 threads.
2. Two-Stainless Steel M4x12 long round-head phillips machine screws required.
3. Sand-Cast Aluminum Alloy.

All dimensions are in mm unless otherwise specified.

INDIANA DEPARTMENT OF TRANSPORTATION

ALUMINUM STRUCTURE

CONDULET DETAILS

SEPTEMBER 2001

STANDARD DRAWING NO. 502-SNOH-09

Anthony L. Brumack
No. 16036
STATE OF INDIANA
PROFESSIONAL ENGINEER

/s/ Anthony L. Brumack 8-01-01
DESIGN ENGINEER

/s/ Steve Smith 8-01-01
CHECK ENGINEER