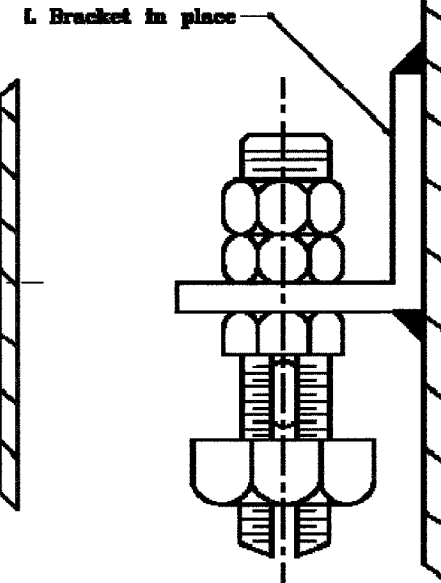
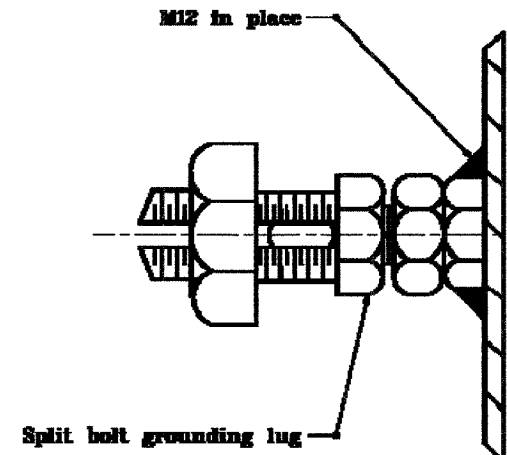
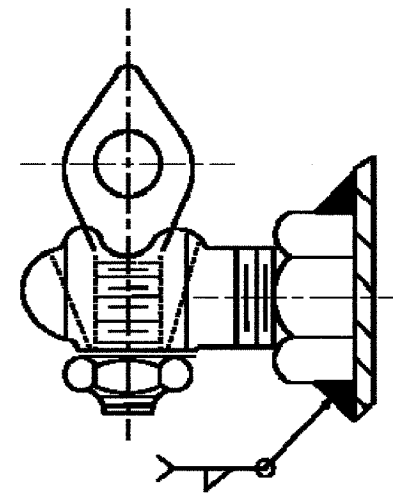
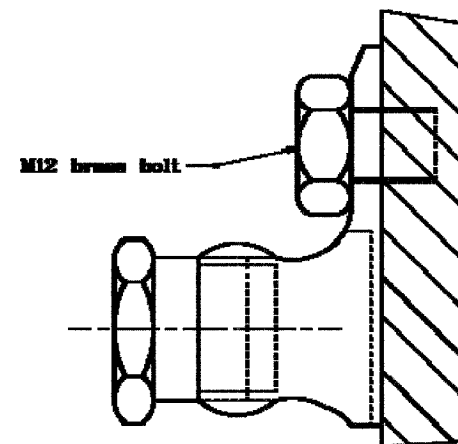
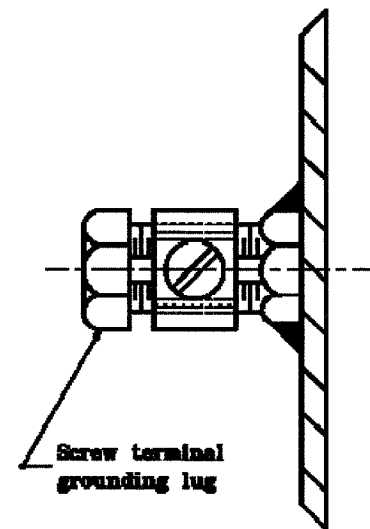


F.A.I. RTE.	SECTION	COUNTY	TOTAL SHEETS	SHEET NO.
80/94	2626.2-R-2	COOK/LAKE	1207	431
STA.	TO STA.			
FED. ROAD DIST. NO.	ILLINOIS	FED. AID PROJECT		
CONTRACT NO. 62114	INDOT DES. NO. 0100987			



GENERAL NOTES
 1. Oxidation inhibitor shall be liberally applied to all surfaces that mate with a dissimilar material.



ALTERNATIVE GROUNDING POSTS DETAIL A

All dimensions are in mm unless otherwise specified.

INDIANA DEPARTMENT OF TRANSPORTATION

SIGN WIRING DETAILS

SEPTEMBER 2001

STANDARD DRAWING NO. 802-SNWR-03

	<i>/s/ Anthony L. Dymowski</i> 9-01-01 DESIGN ENGINEER
	<i>/s/ Bruce Smith</i> 9-01-01 CHIEF ENGINEER