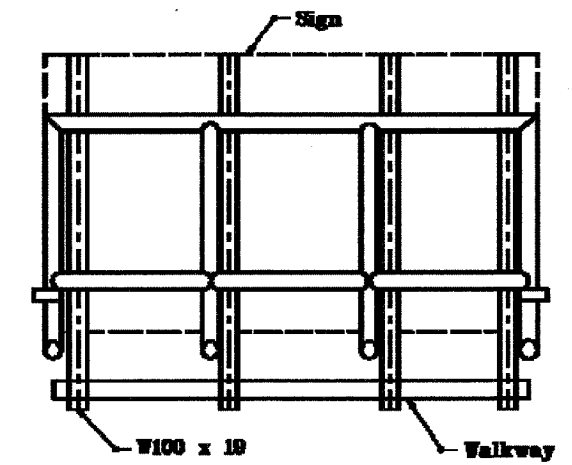
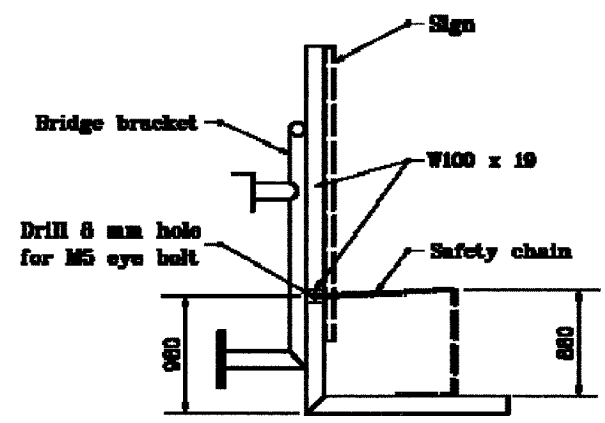
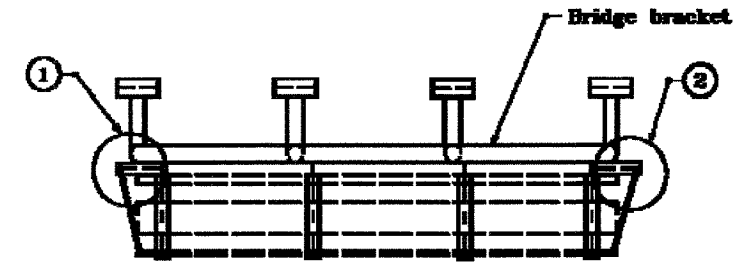


F.A.I. RTE.	SECTION	COUNTY	TOTAL SHEETS	SHEET NO.
80/94	2626.2-R-2	COOK/LAKE	1207	441
STA.		TO STA.		
FED. ROAD DIST. NO.		ILLINOIS	FED. AID PROJECT	
CONTRACT NO. 62114		INDOT DES. NO. 0100987		

GENERAL NOTES

- ① See Standard Drawing 602-SNWW-11 for Detail C.
- ② See Standard Drawing 602-SNWW-11 for Detail D.



**CHAIN SUPPORT FOR
BRIDGE BRACKET**

All dimensions are in mm unless otherwise specified.

INDIANA DEPARTMENT OF TRANSPORTATION

SIGN WALKWAY DETAILS

SEPTEMBER 2001

STANDARD DRAWING NO. 602-SNWW-08

	<i>/s/ Anthony L. Driscoll</i> 9-01-01 REGISTERED PROFESSIONAL ENGINEER DATE
	<i>/s/ Frank Smith</i> 9-01-01 CHIEF REGISTERED ENGINEER DATE