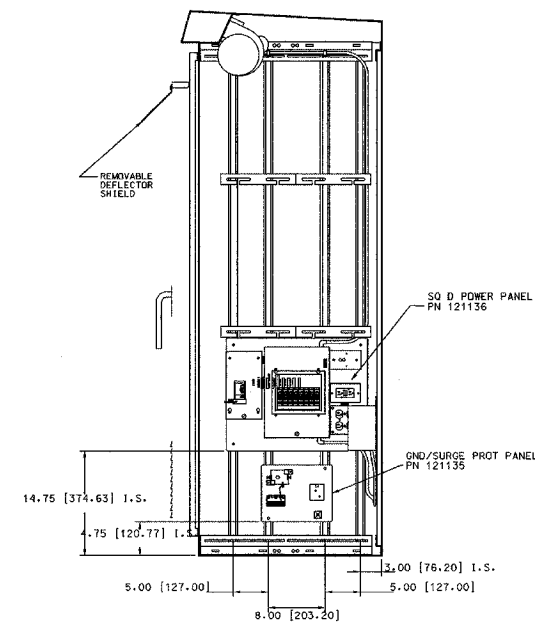
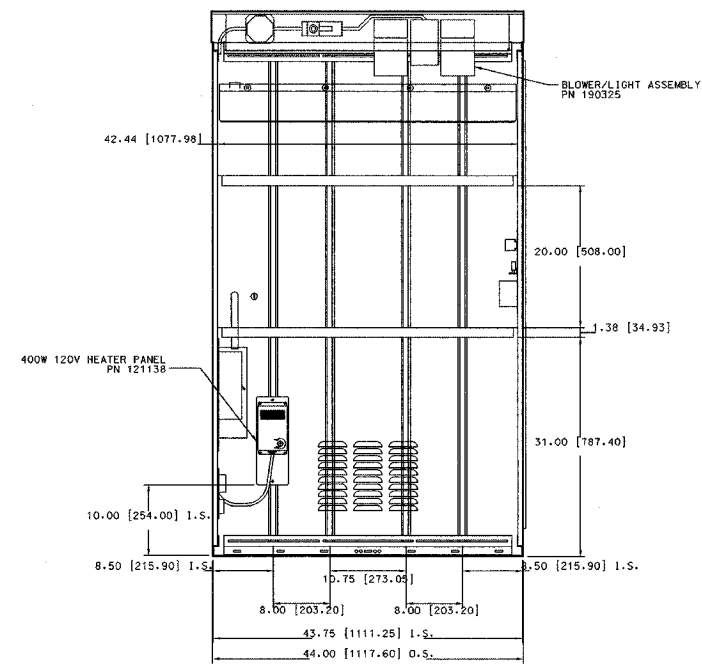


UNITS ARE IN INCHES [mm].

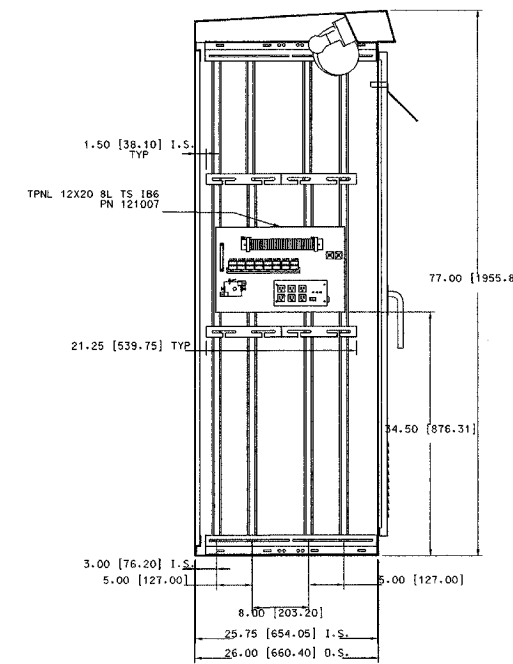
F.A.I. RTE.	SECTION	COUNTY	TOTAL SHEETS	SHEET NO.
80/94	2626.2-R-2	COOK/LAKE	1207	501E
STA.	TO STA.			
FED. ROAD DIST. NO.	ILLINOIS	FED. AID PROJECT		
CONTRACT NO. 62114	INDOT DES. NO. 0100987			



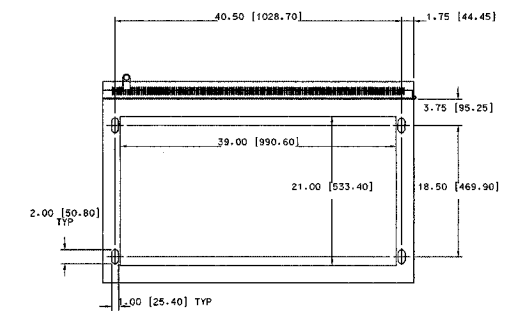
LEFT END VIEW



FRONT VIEW



RIGHT END VIEW



TOP VIEW

NOTE:
COMPONENTS IN CABINET ARE SHOWN FOR INFORMATION ONLY AND EXACT LOCATIONS ARE TO BE DETAILED BY THE CONTRACTOR FOR APPROVAL BY THE ENGINEER.

REVISIONS	
NAME	DATE

ILLINOIS DEPARTMENT OF TRANSPORTATION
I-80/94/US 6
KINGERY-BORMAN EXPRESSWAY
BURNHAM ROAD TO US 41
TYPE R SIGNAL CONTROLLER CABINET

SCALE NTS
DATE 07/05
DRAWN BY ACE/CAD
CHECKED BY

