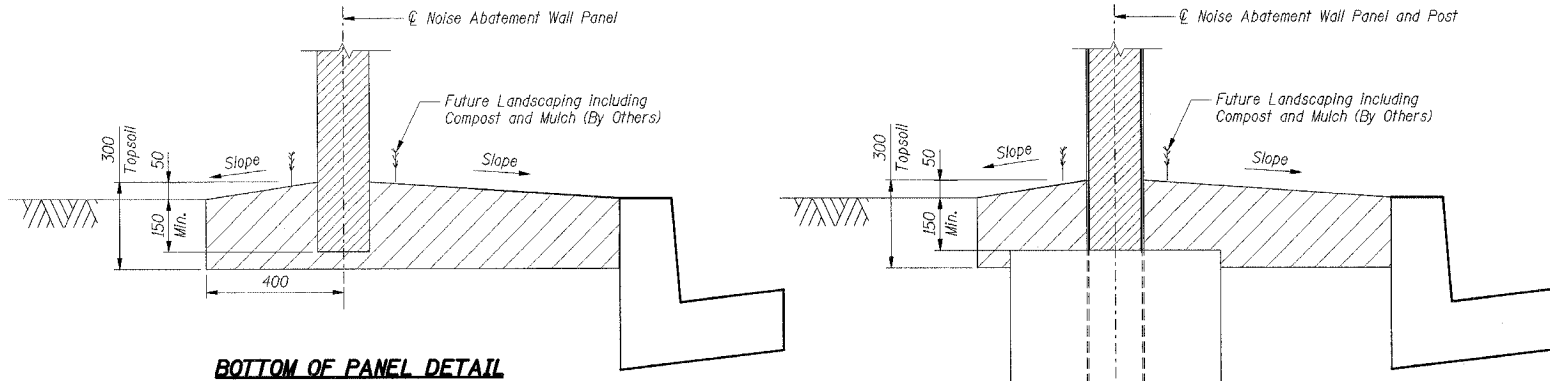


F.A.I. RTE.	SECTION	COUNTY	TOTAL SHEETS	SHEET NO.
80/94	2626.2-R-2	COOK	1207	511
STA.	TO STA.			
FED. ROAD DIST. NO.	ILLINOIS	FED. AID PROJECT		

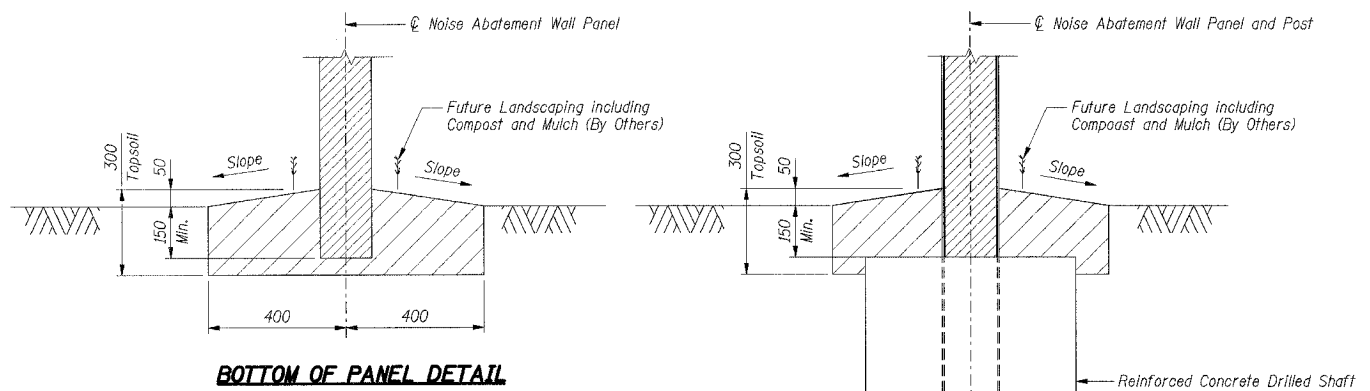
CONTRACT NO. 62114



BOTTOM OF PANEL DETAIL

FOUNDATION DETAIL

NOISE ABATEMENT WALL A ALONG 175th STREET STA. 811+012.174 TO 811+080.756



BOTTOM OF PANEL DETAIL

FOUNDATION DETAIL

NOISE ABATEMENT WALL B STA. 812+644.790 TO 812+683.820
NOISE ABATEMENT WALL C STA. 821+035.684 TO 821+035.684

LEGEND

Topssoil Furnish and Place, 300 mm

NOTE

THE COST OF EARTH EXCAVATION NECESSARY FOR THE PLACEMENT OF TOPSOIL SHALL BE INCLUDED IN THE CONTRACT UNIT PRICE FOR NOISE ABATEMENT WALL, GROUND MOUNTED.

REVISIONS	
NAME	DATE

ILLINOIS DEPARTMENT OF TRANSPORTATION
 F.A.I. ROUTE 80/94 (KINGERY EXPRESSWAY)
 EB & WB INSIDE LANES (MAINLINE) CONSTRUCTION
 COOK COUNTY

GROUND MOUNTED NOISE ABATEMENT WALL DETAILS

SCALE: DATE: 7/18/2005
 DRAWN BY: MJ
 CHECKED BY: MJK

TENG
 TENG & ASSOCIATES, INC.
 ENGINEERS/ARCHITECTS/PLANNERS
 CHICAGO, ILLINOIS

KLENSTWJ
 8-12-2005 12:28:17
 I:\DOCUMENT\198750\1\CIVIL\DWG\TSR8002A.DGN
 1 2 3 4 5 6 7 8 9 10 11 12 13 14 15 16 17 18 19 20 21 22 23 24 25 26 27 28 29 30 31 32 33 34 35 36 37 38 39 40 41 42 43 44 45 46 47 48 49 50 51 52 53 54 55 56 57 58 59 60 61 62 63