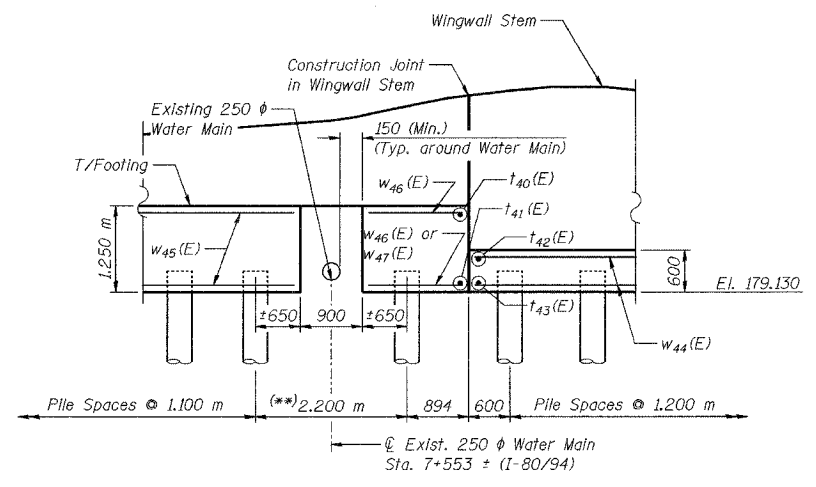
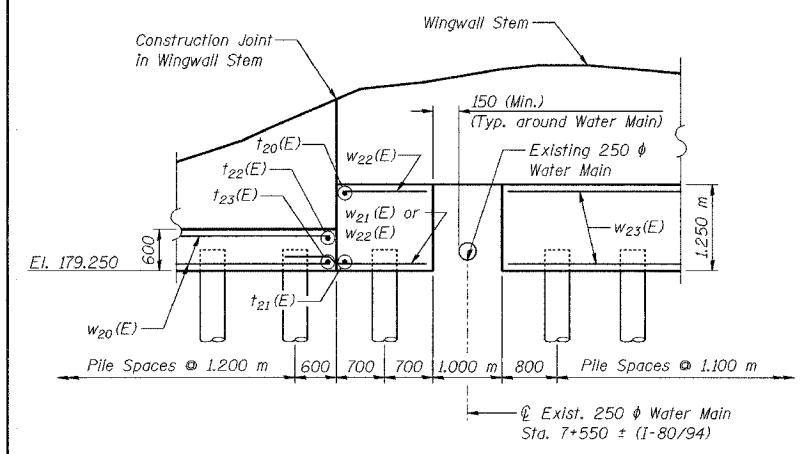


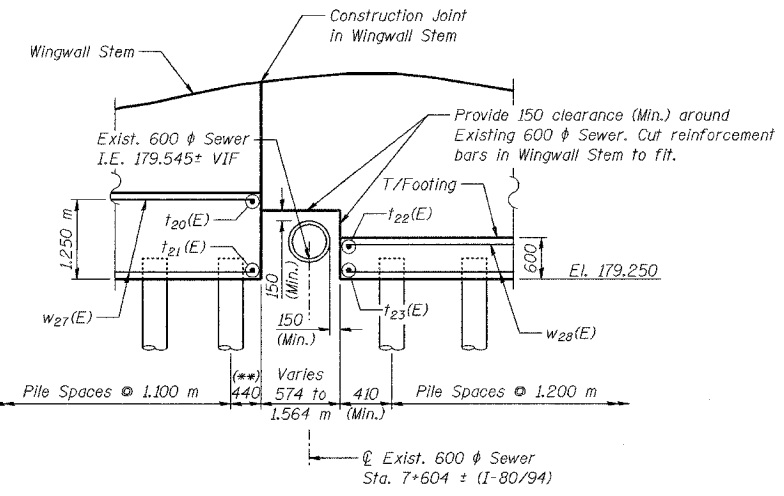
DETAIL F
(Southeast Wingwall)



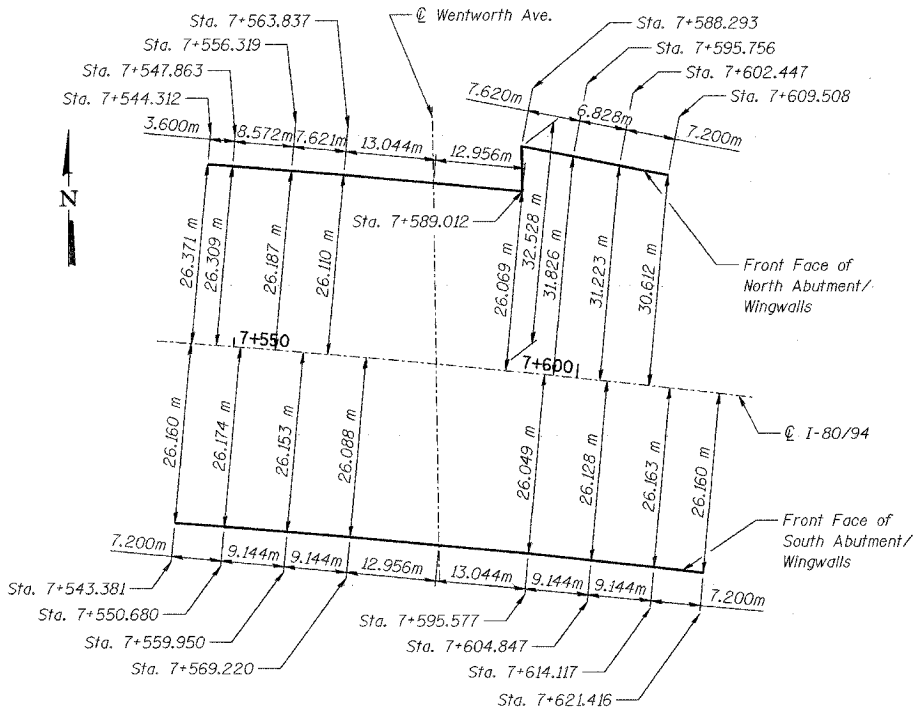
DETAIL R
(Southwest Wingwall)



DETAIL S
(Northwest Wingwall)



DETAIL K
(Northeast Wingwall)



OFFSET DIAGRAM

DESIGNED	JDG
CHECKED	JDG
DRAWN	CAK
CHECKED	JDG

(**)NOTE: Adjust Pile locations to provide 300 clear (Min.) between Piles and Existing Sewer or Water Main. Provide 230 clear (Min.) between Piles and edge of Footing.

NOTES:
Stations are referenced to \odot I-80/94.
The wingwalls are to be constructed on chords between the stations shown.
Reinforcement bars designated (E) shall be epoxy coated.
All dimensions are in millimeters (mm) except as noted.

ILLINOIS DEPARTMENT OF TRANSPORTATION
F.A.I. ROUTE 80/94 (KINGERY EXPRESSWAY)
UNDER WENTWORTH AVE
WINGWALL DETAILS (2 OF 2)
SECTION 2626.1B
COOK COUNTY
STATION 7+579.488
STRUCTURE NO. 016-2790
DATE 07/05
AMERICAN
CONSULTING ENGINEERS

FOR INFORMATION ONLY