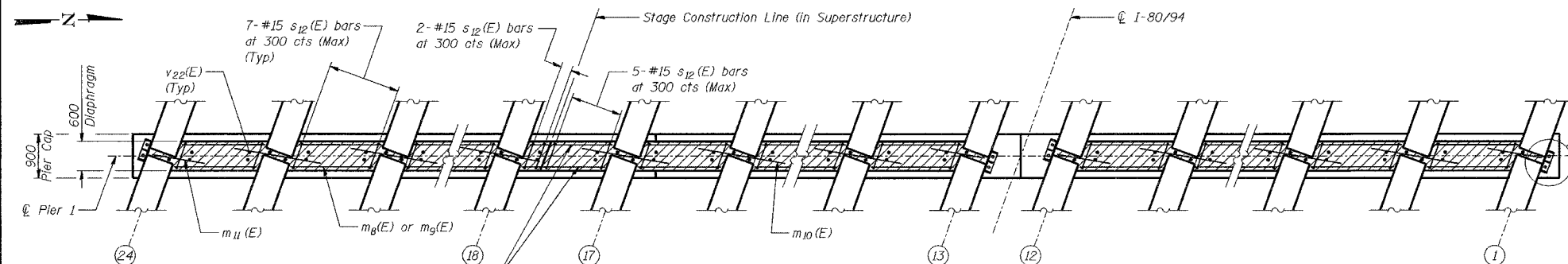
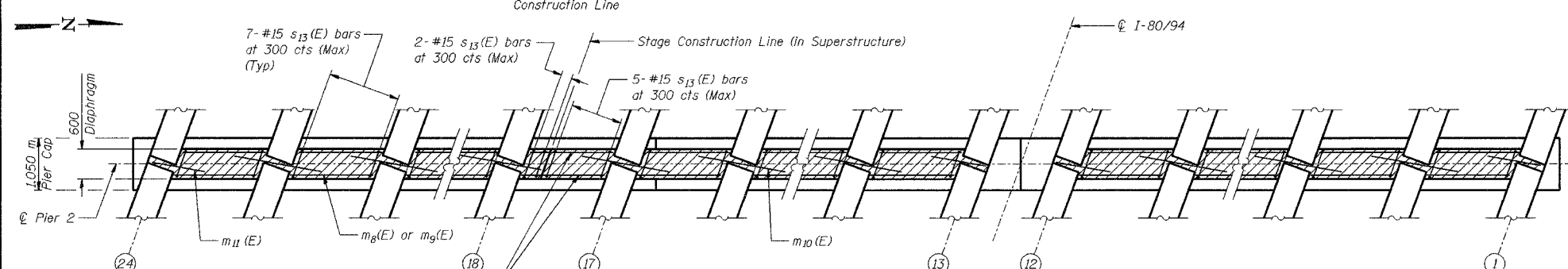


ROUTE NO.	SECTION	COUNTY	SHEET	SHEET	SHEET NO. S-18
F.A.L. 80/94	2626.2-R-2	LAKE COUNTY, INDIANA	1207	597	40 SHEETS
ILLINOIS		INDOT DES. NO. 0100987			

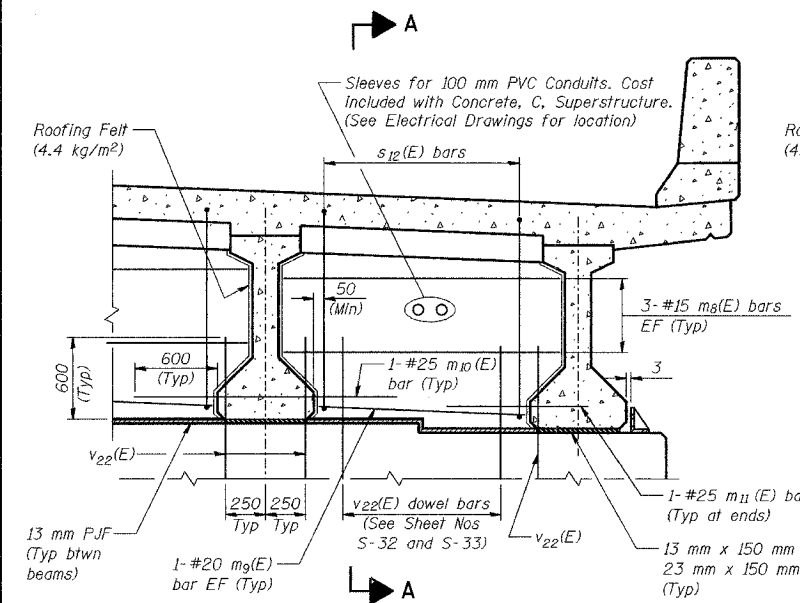


PIER 1 DIAPHRAGM PLAN - FIXED

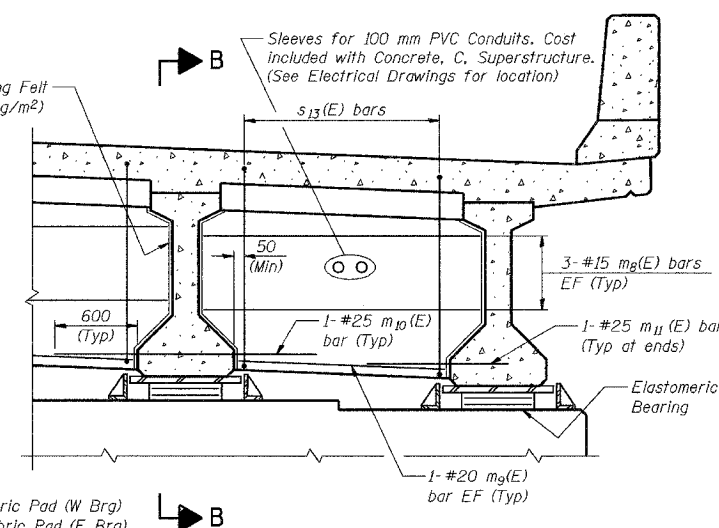


PIER 2 DIAPHRAGM PLAN - EXPANSION

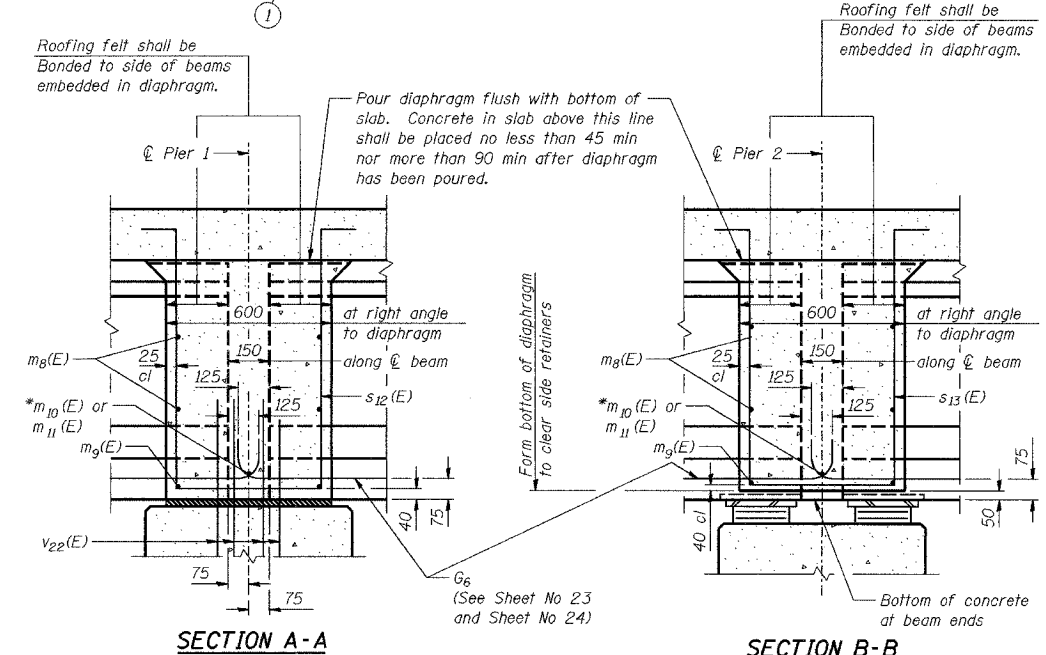
NOTES:
 See Sheet No S-21 for reinforcement diagrams and Bill of Material.
 See Sheet No S-25 for bearing details.
 Concrete in diaphragm is included with Concrete, C, Superstructure.
 Reinforcement bars designated (E) shall be epoxy coated.
 All concrete edges shall have a 20 mm chamfer.
 All dimensions are in millimeters (mm) except as noted.



DIAPHRAGM ELEVATION AT PIER 1



DIAPHRAGM ELEVATION AT PIER 2



SECTION A-A

SECTION B-B

* Tightly fasten the #25 bars together with 3.8 mm wire ties.

DESIGNED	BHS
CHECKED	KFA
DRAWN	MJB
CHECKED	GSP

LEGEND
 EF - Each Face

ILLINOIS DEPARTMENT OF TRANSPORTATION
 F.A.L. ROUTE 80/94 (BORMAN EXPRESSWAY)
 OVER HOHMAN AVENUE

DIAPHRAGM AT PIERS
SECTION 2626.2-R-2
 LAKE COUNTY, INDIANA
 STATION 8 + 225.132
 STRUCTURE NO. I-80-1-8459 (EB & WB)
 DATE 09/05 (016-1001 & 016-1002)

AMERICAN
 CONSULTING ENGINEERS