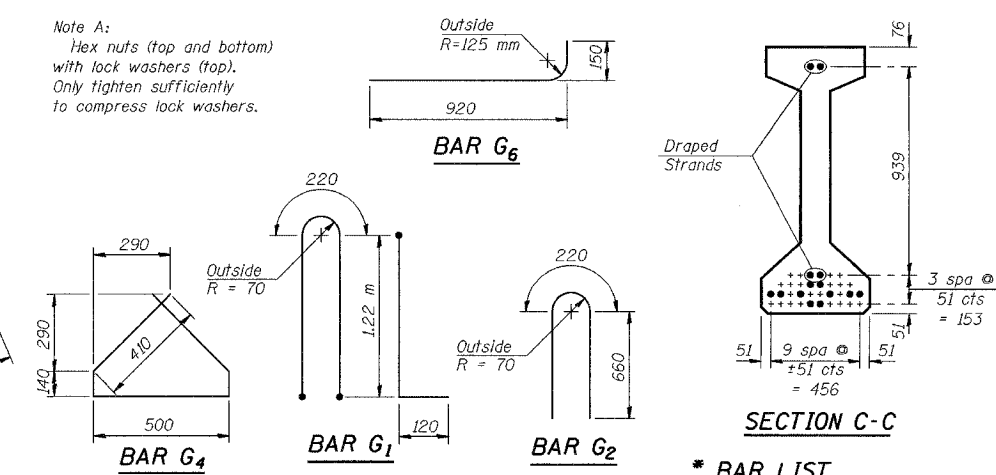
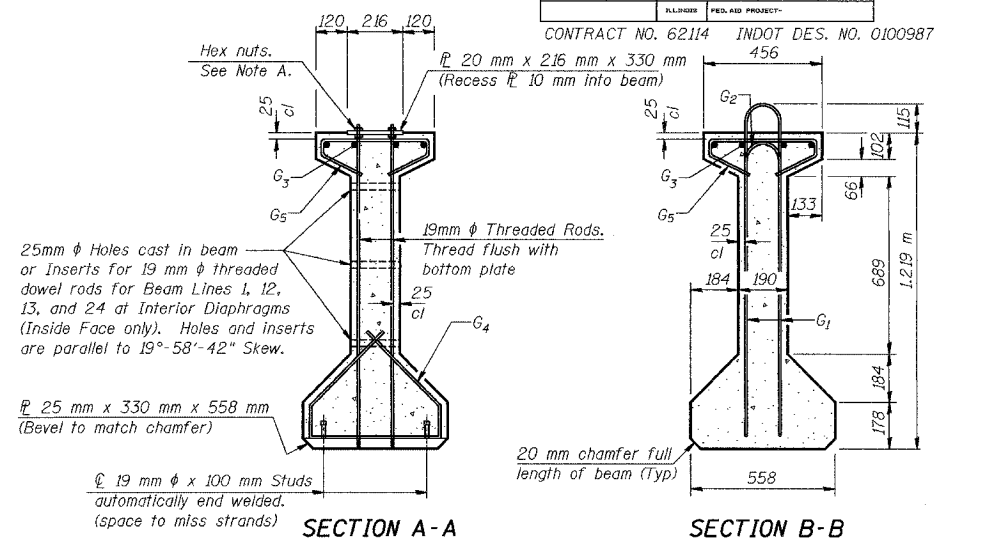
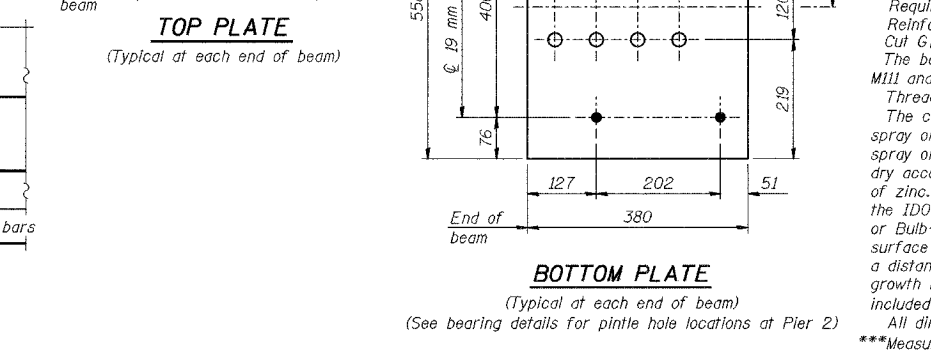
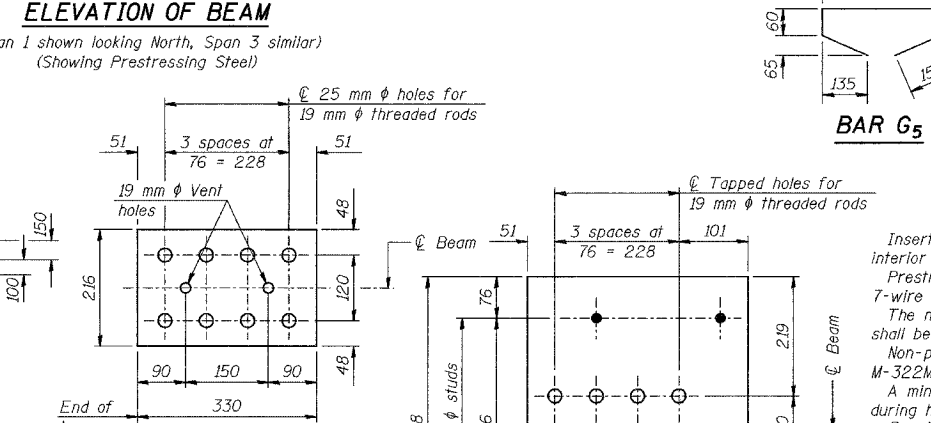
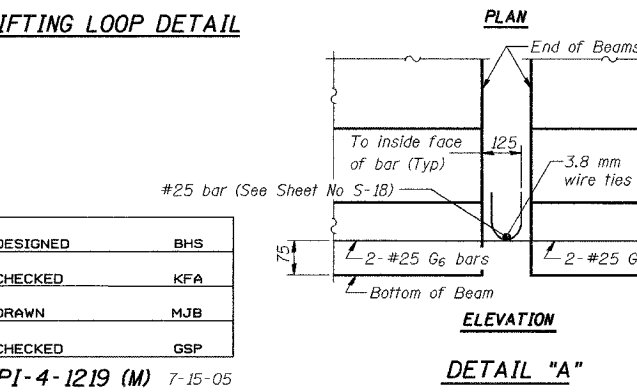
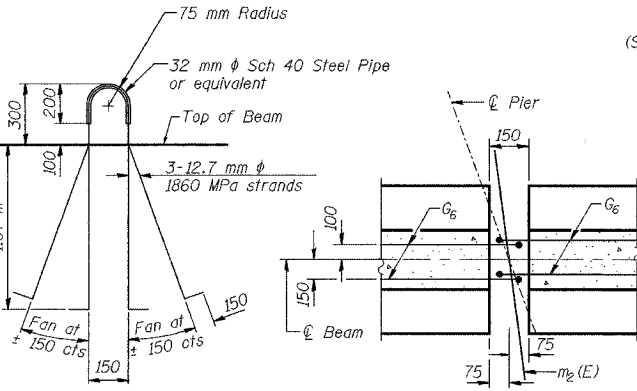
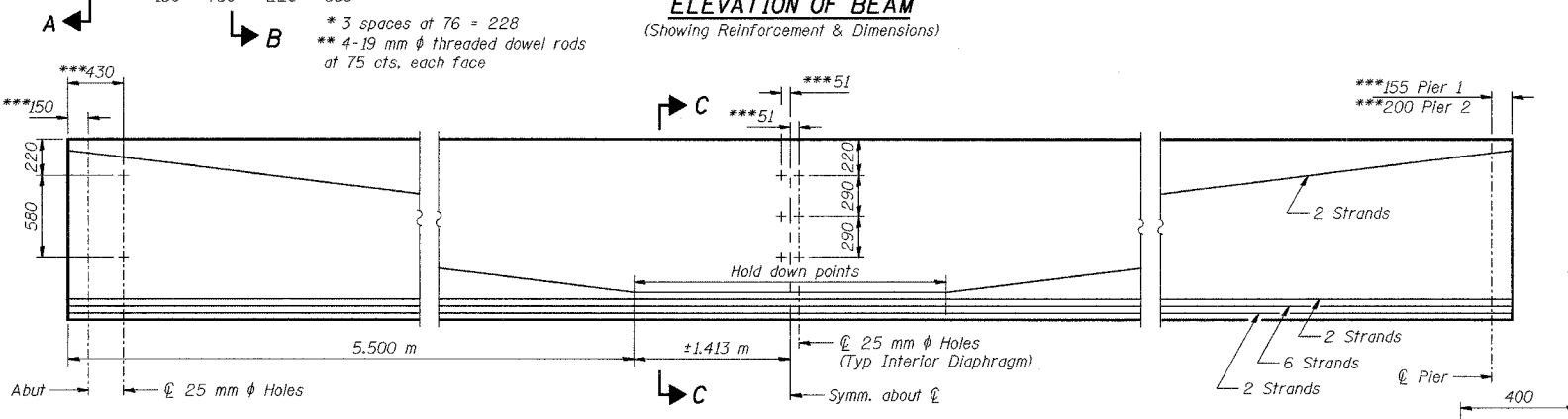
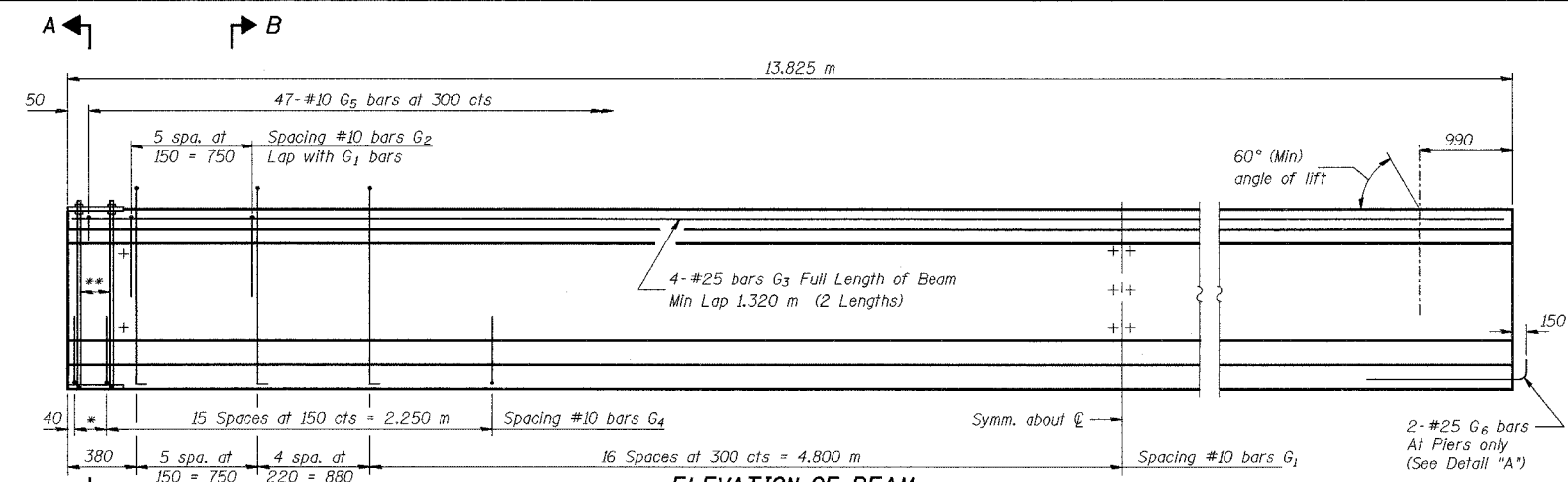


CONTRACT NO. 62114 INDOT DES. NO. 0100987



**BILL OF MATERIAL**

Item	Unit	Total
Furnishing and Erecting Precast Prestressed Concrete I-Beams, 1219 mm	m	663.6

ILLINOIS DEPARTMENT OF TRANSPORTATION  
F.A.I. ROUTE 80/94 (BORMAN EXPRESSWAY)  
OVER HOHMAN AVENUE

**1219 mm PPC I-BEAM - SPANS 1 & 3**  
**SECTION 2626.2-R-2**  
**LAKE COUNTY, INDIANA**  
**STATION 8+225.132**  
**STRUCTURE NO. I-80-1-8459 (EB & WB)**  
DATE 09/05 (016-1001 & 016-1002)

**AMERICAN CONSULTING ENGINEERS**