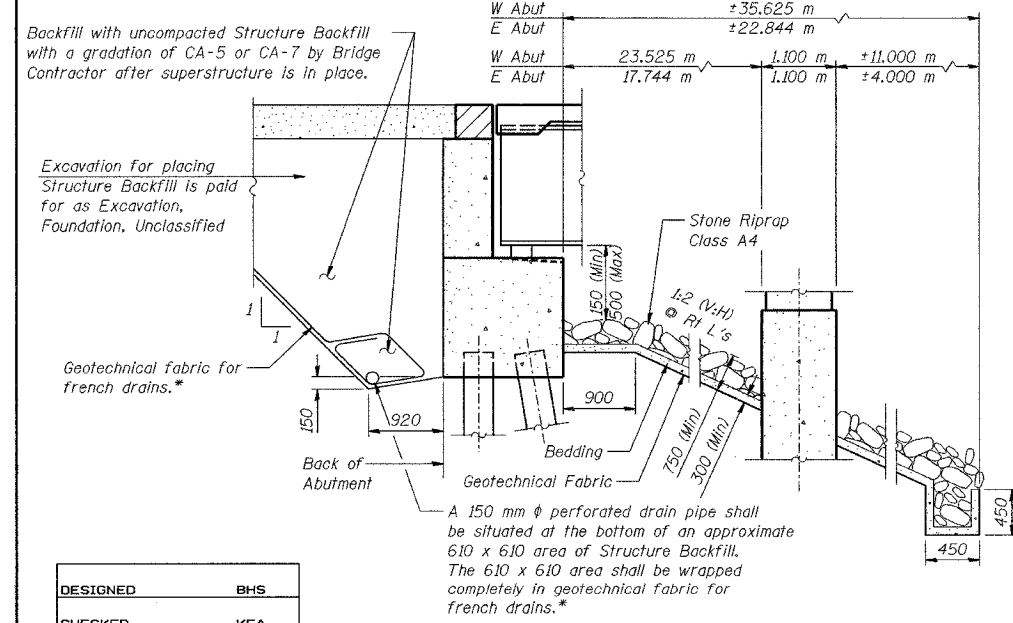


**FOOTING LAYOUT**



**SECTION THRU ABUTMENT**

\* Included in the cost of Structure Backfill

DESIGNED	BHS
CHECKED	KFA
DRAWN	MJB
CHECKED	GSP

**PHASE 2 FOR INFORMATION ONLY**

ILLINOIS DEPARTMENT OF TRANSPORTATION  
 F.A.I. ROUTE 80/94 (BORMAN EXPRESSWAY)  
 OVER LITTLE CALUMET RIVER & N.I.C.T.D. R.O.W.

**SUBSTRUCTURE LAYOUT**  
 SECTION 2626.2-R-1  
 LAKE COUNTY, INDIANA  
 STATION 8+470.000  
 STRUCTURE NO. I-80-1-8460 (EB & WB)  
 DATE 07/05 (016-1003 & 016-1004)

**AMERICAN**  
 CONSULTING ENGINEERS