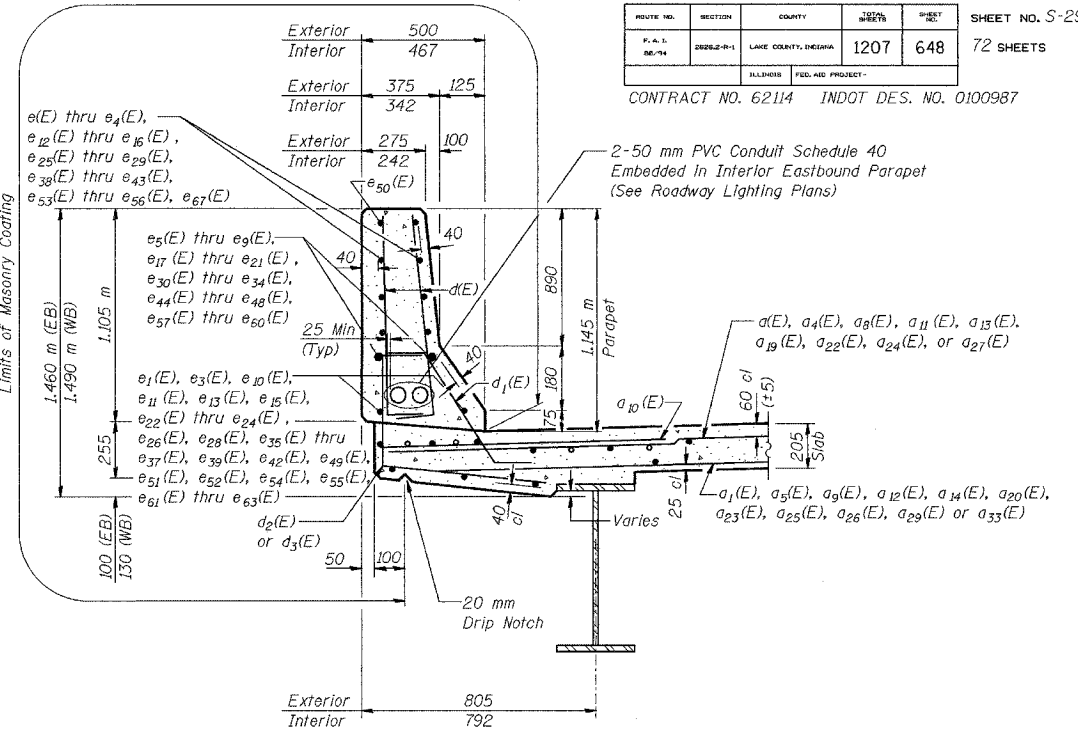
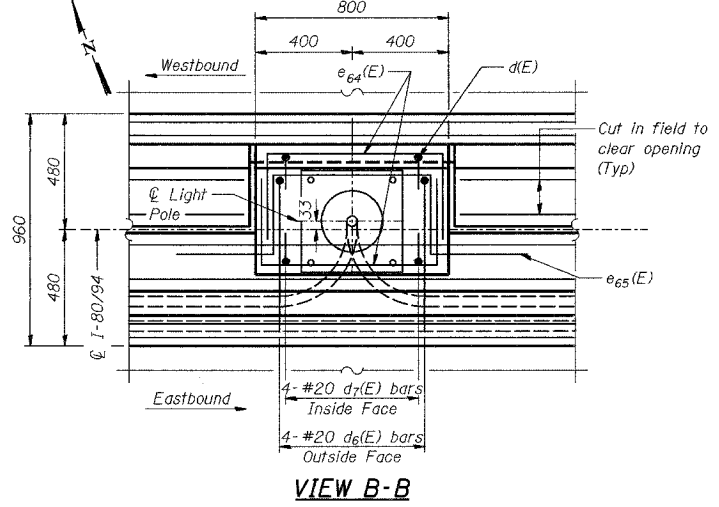
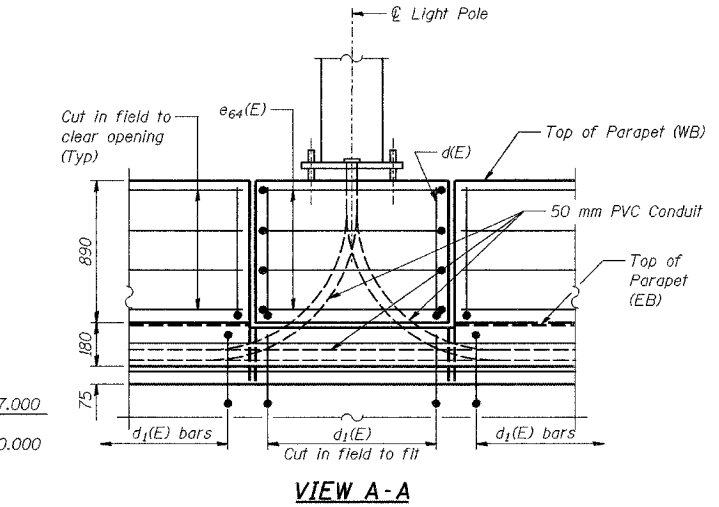
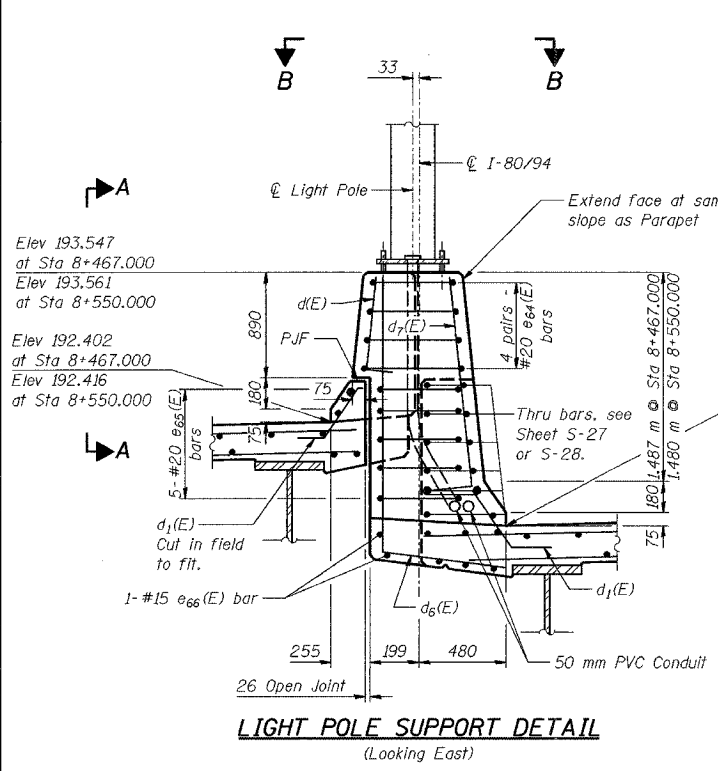
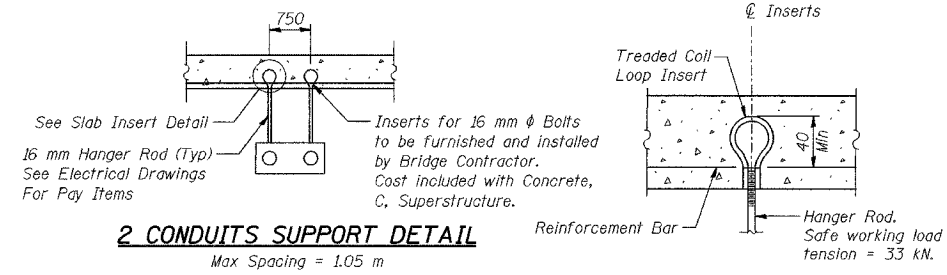


ROUTE NO.	SECTION	COUNTY	SHEET	SHEET NO. S-29
F.A.L.	2626.2-R-1	LAKE COUNTY, INDIANA	1207	648
DATE	07/05			72 SHEETS
ILLINOIS	FED. AID PROJECT			

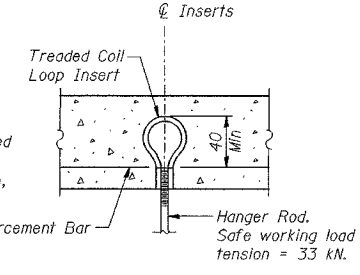
CONTRACT NO. 62114 INDOT DES. NO. 0100987



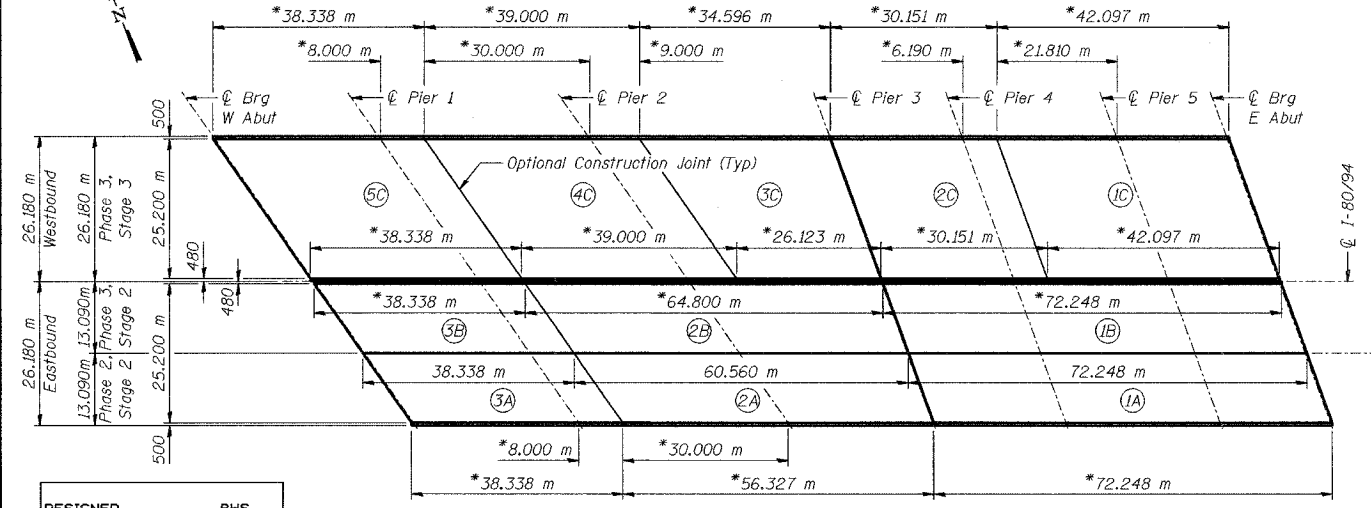
SECTION THRU PARAPETS
All concrete edges shall have a 20 mm chamfer.



2 CONDUITS SUPPORT DETAIL
Max Spacing = 1.05 m

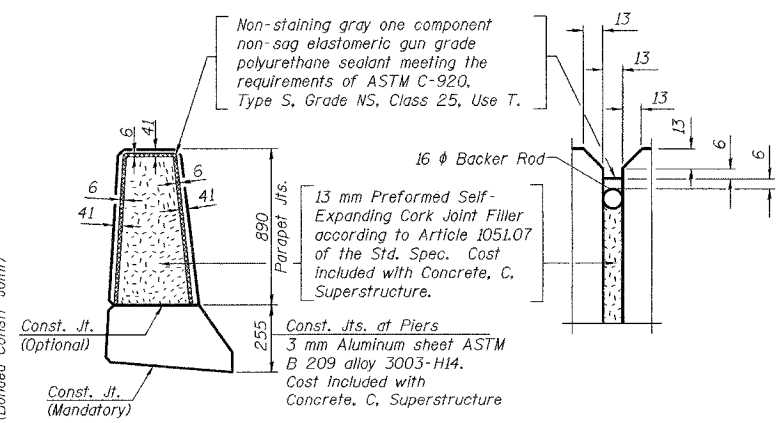


SLAB INSERT DETAIL



DECK POURING SEQUENCE
* Dimensions are measured along inside face of parapet.

DESIGNED	BHS
CHECKED	KFA
DRAWN	MJB
CHECKED	GSP



PARAPET JOINT DETAILS
PHASE 2 FOR INFORMATION ONLY

LEGEND
EB - Eastbound Structure
WB - Westbound Structure

NOTES:
Reinforcement bars designated (E) shall be epoxy coated.
All dimensions are in millimeters (mm) except as noted.

ILLINOIS DEPARTMENT OF TRANSPORTATION
F.A.L. ROUTE 80/94 (BORMAN EXPRESSWAY)
OVER LITTLE CALUMET RIVER & N.I.C.T.D. R.O.W.
SUPERSTRUCTURE DETAILS (1 OF 2)
SECTION 2626.2-R-1
LAKE COUNTY, INDIANA
STATION 8+470.000
STRUCTURE NO. I-80-1-8460 (EB & WB)
DATE 07/05 (016-1003 & 016-1004)

AMERICAN CONSULTING ENGINEERS