

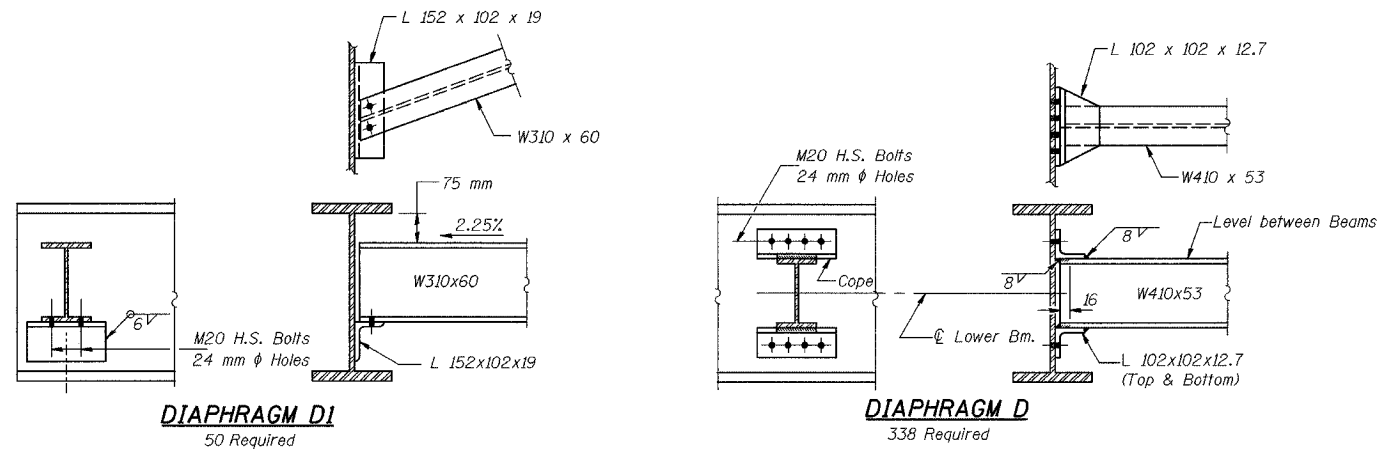
**DIAPHRAGM D2 CONSTRUCTION SEQUENCE**

- 1) Order Diaphragm D2 in two sections with lengths of 1.006 m and 1.005 m
- 2) Attach section ① of diaphragm to Beam 7 and top flange splice R during Phase 2, Stage 2 Construction.
- 3) Place Timber Block Post between section ① of diaphragm and bearing seat.
- 4) Attach section ② of diaphragm to both Beam 8 and section ① of diaphragm during Phase 3, Stage 2 Construction.
- 5) Attach web splice plates to sections ① and ② of diaphragm.
- 6) Remove Timber Block Post.
- 7) Attach bottom flange splice plate to sections ① and ② of diaphragm.

**SECTION B-B**

**DIAPHRAGM D2**

(Looking East)  
2 Required  
For details of connections to Beams see Diaphragm D6  
(All dimensions are along skew)



**DIAPHRAGM D1**  
50 Required

**DIAPHRAGM D**  
338 Required

Note: Two hardened washers shall be required over all oversize holes for diaphragms.

DESIGNED	BHS
CHECKED	KFA
DRAWN	MJB
CHECKED	GSP

**NOTES:**

All dimensions are in millimeters (mm) except as noted.

ILLINOIS DEPARTMENT OF TRANSPORTATION  
F.A.L. ROUTE 80/94 (BORMAN EXPRESSWAY)  
OVER LITTLE CALUMET RIVER & N.I.C.T.D. R.O.W.

**FRAMING DETAILS - UNIT 2 (2 OF 2)**  
**SECTION 2626.2-R-1**  
**LAKE COUNTY, INDIANA**  
**STATION 8+470.000**  
**STRUCTURE NO. I-80-1-8460 (EB & WB)**  
DATE 07/05 (016-1003 & 016-1004)

**AMERICAN**  
CONSULTING ENGINEERS