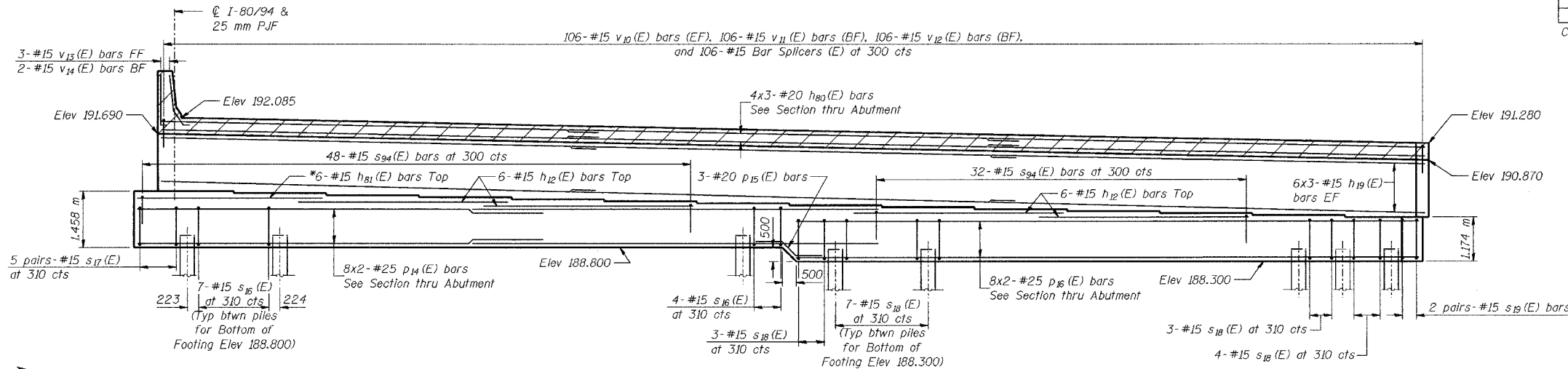


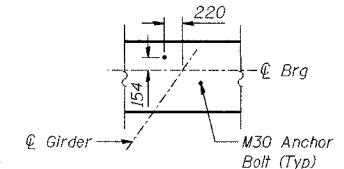
ROUTE NO.	SECTION	COUNTY	SHEET	SHEET NO. S-49
F.A.L.	2626.2-R-1	LAKE COUNTY, INDIANA	1207	668
SHEET		72 SHEETS		
CONTRACT NO. 62114		INDOT DES. NO. 0100987		



**ELEVATION**

**BEARING SEAT ELEVATIONS**

Girder	Seat Elevation
28	189.474
27	189.536
26	189.597
25	189.658
24	189.719
23	189.779
22	189.840
21	189.900
20	189.960
19	190.020
18	190.079
17	190.139
16	190.198
15	190.258



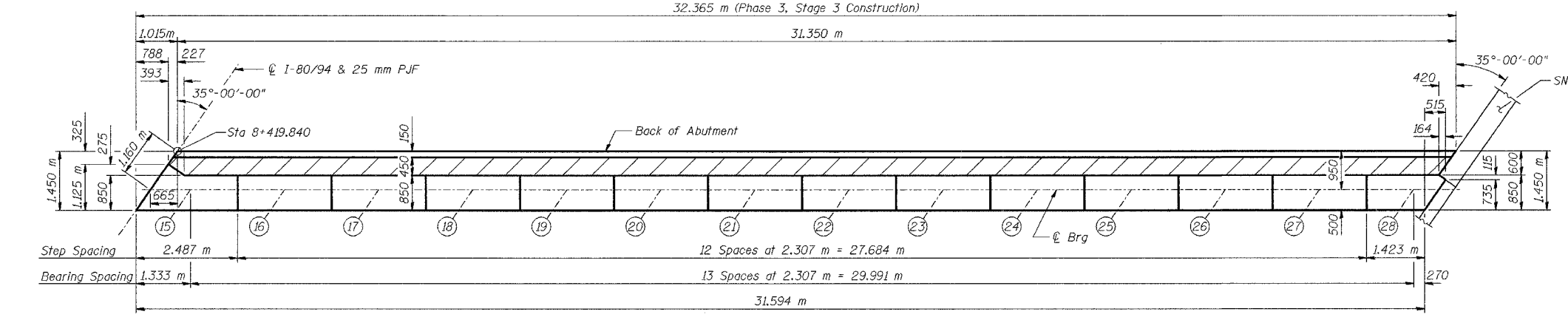
**ANCHOR BOLT LAYOUT**

**LEGEND**

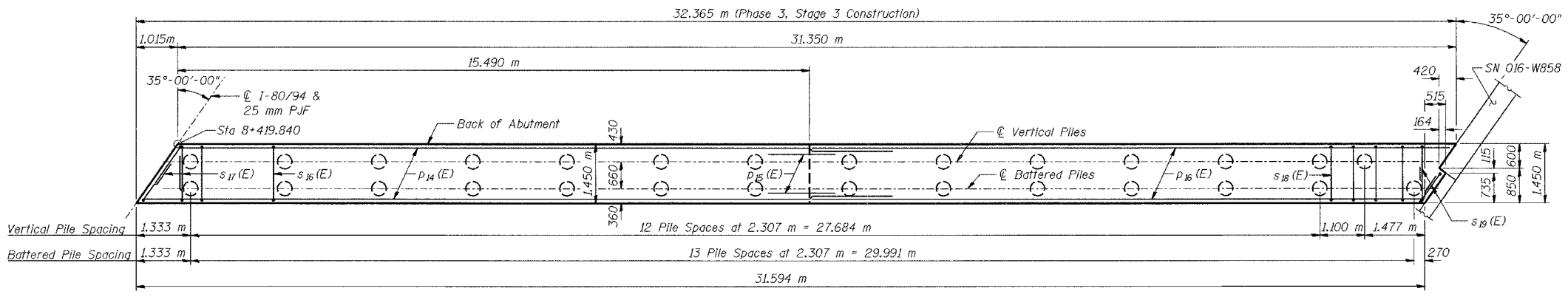
- EF - Each Face
- FF - Front Face
- BF - Back Face

**MINIMUM BAR LAPS**

- #15 bars = 640
- #20 bars = 790
- #25 bars = 1320



**TOP VIEW**



**PLAN-PILE CAP**

**NOTES:**  
 See Sheet No S-50 for abutment details, Expansion Joint Detail, and Bill of Material.  
 Space reinforcement in cap to miss anchor bolts.  
 Pour steps monolithically with cap.  
 Hatched area to be poured after superstructure forms have been removed. Quantity of concrete included with Concrete, C, Superstructure.  
 Reinforcement bars designated (E) shall be epoxy coated.  
 Bars indicated thus 20 x 3-#15 etc. indicates 20 lines of bars with 3 lengths per line.  
 All dimensions are in millimeters (mm) except as noted.  
 All edges shall have standard 20 mm chamfers except as noted.  
 \* Cut bars to fit in field.  
 Apply Surface Seal to top surface of abutment seat and vertical faces of steps.

DESIGNED	BHS
CHECKED	KFA
DRAWN	MJB
CHECKED	GSP

ILLINOIS DEPARTMENT OF TRANSPORTATION  
 F.A.L. ROUTE 80/94 (BORMAN EXPRESSWAY)  
 OVER LITTLE CALUMET RIVER & N.I.C.T.D. R.O.W.

**WEST ABUTMENT - WESTBOUND**  
**SECTION 2626.2-R-1**  
**LAKE COUNTY, INDIANA**  
**STATION 8+470.000**  
**STRUCTURE NO. I-80-1-8460 (EB & WB)**  
 DATE 07/05 (016-1003 & 016-1004)

**AMERICAN**  
 CONSULTING ENGINEERS