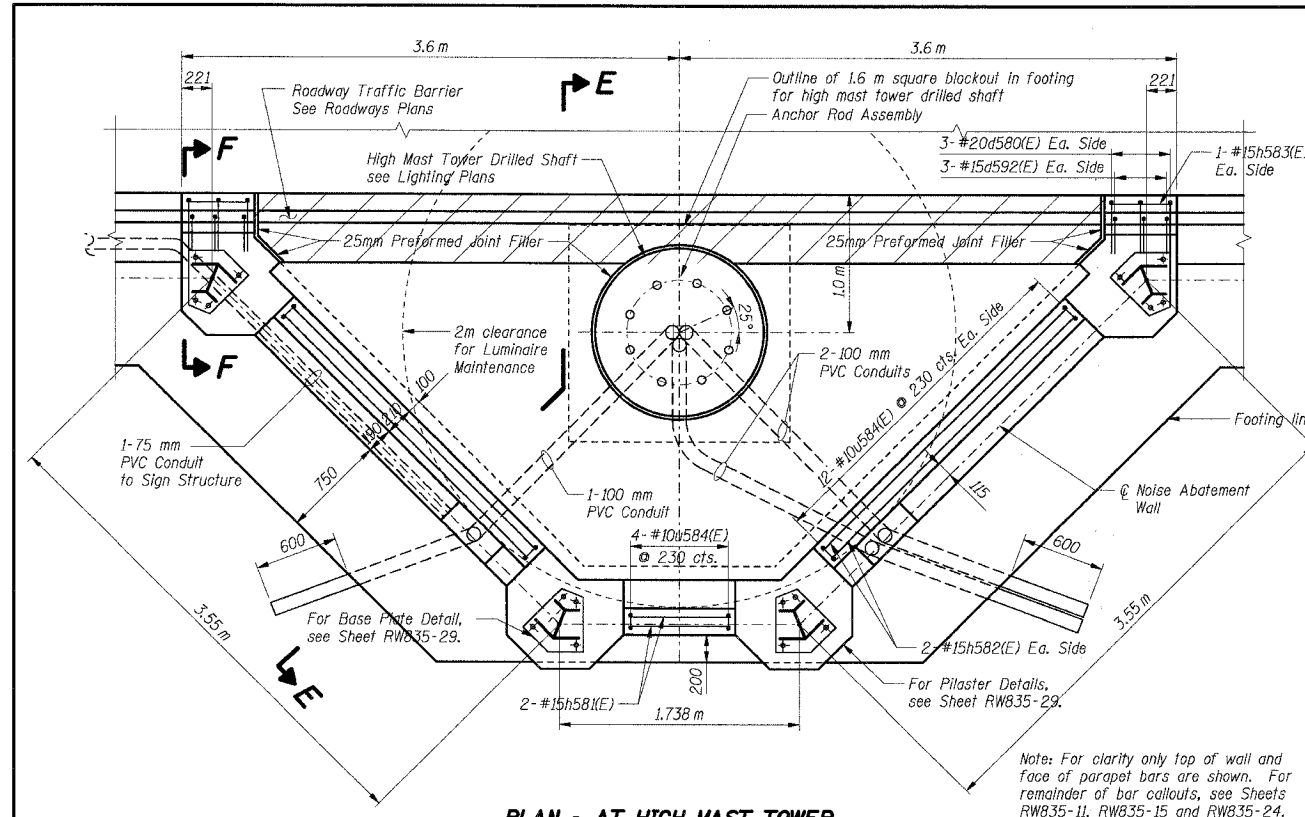
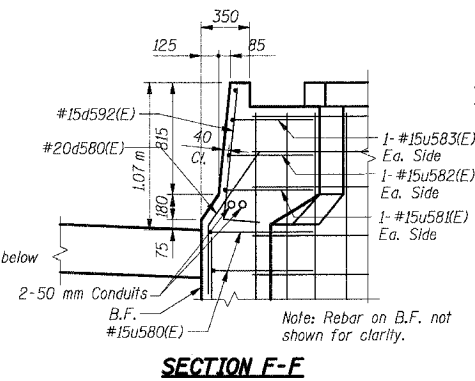


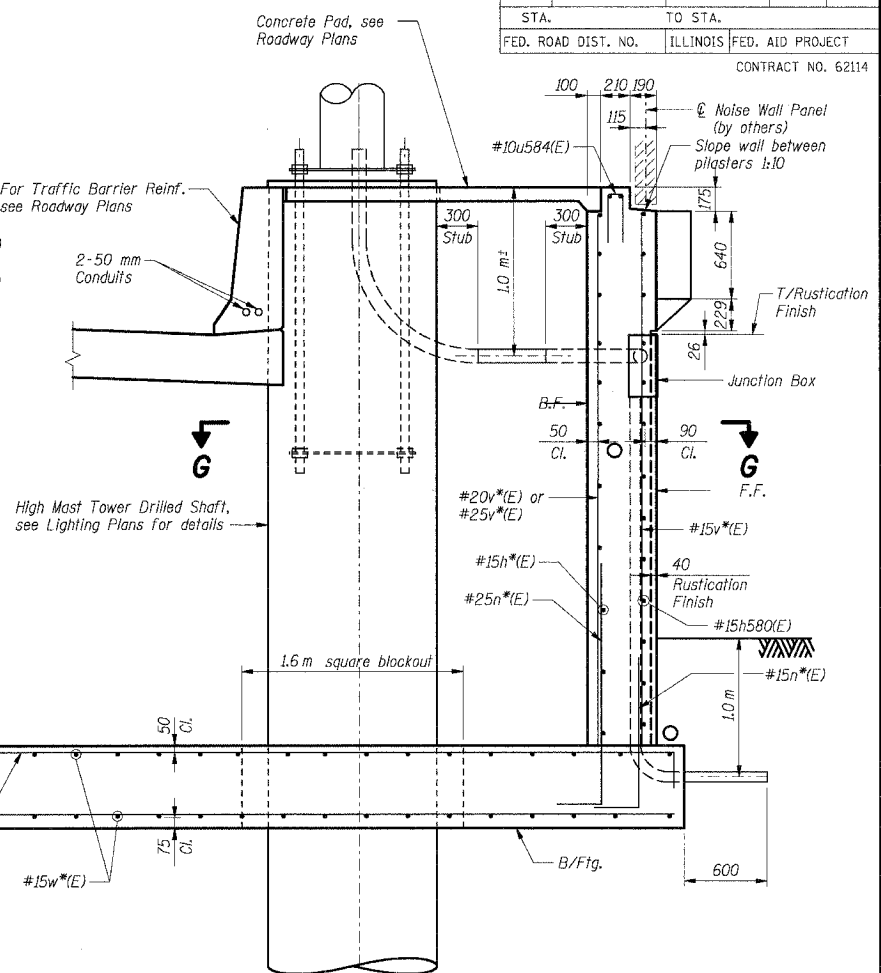
F.A.I. RTE.	SECTION	COUNTY	TOTAL SHEETS	SHEET NO.
80/94	2626.2-R-2	COOK	1207	745
STA.	TO STA.			
FED. ROAD DIST. NO.	ILLINOIS FED. AID PROJECT		CONTRACT NO. 62114	



**PLAN - AT HIGH MAST TOWER**



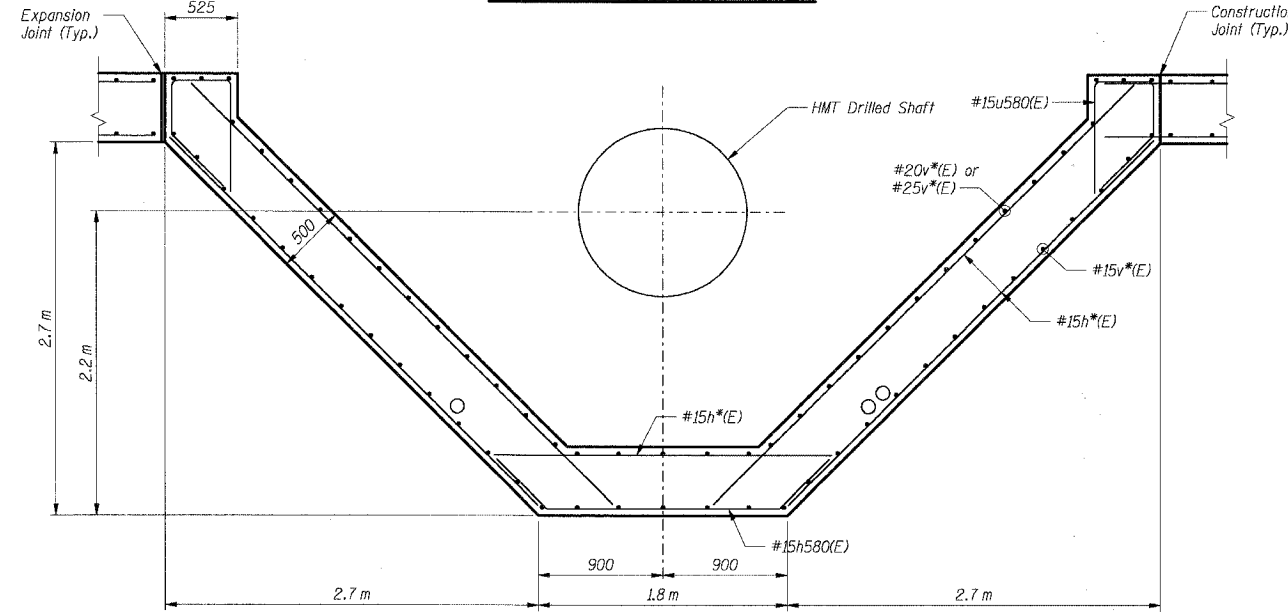
**SECTION F-F**



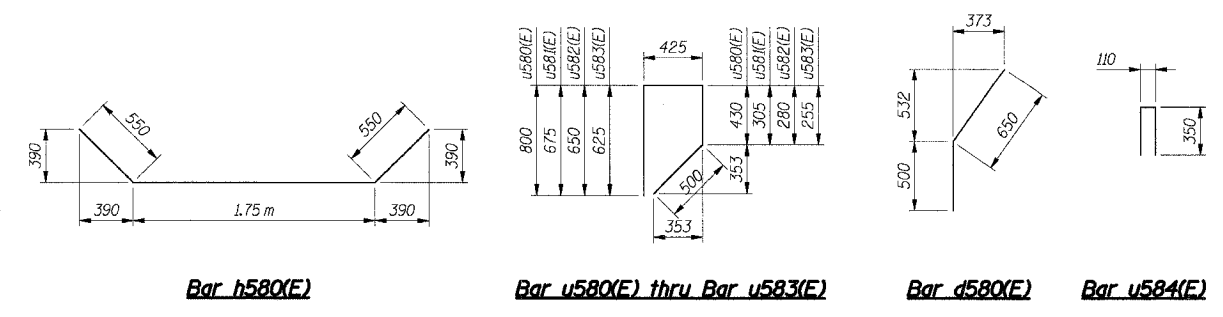
**SECTION E-E**

**THIS SHEET FOR INFORMATION ONLY**

- Notes:**
- All dimensions are in millimeters (mm) except as noted.
  - Reinforcement bars designated (E) shall be epoxy coated.
  - All edges shall have a 20 mm chamfer unless noted otherwise.
  - E,F. indicates each face.
  - B,F. indicates back face.
  - F,F. indicates front face.
  - \*For bar details, see Footing Plans & Wall Elevations, RW835-11, RW835-15 and RW835-24.



**SECTION G-G**



**Bar h580(E)**      **Bar u580(E) thru Bar u583(E)**      **Bar d580(E)**      **Bar u584(E)**

**SHT. RW835-28 OF 34**

REVISIONS	
NAME	DATE

ILLINOIS DEPARTMENT OF TRANSPORTATION  
 F.A.I. ROUTE 80/94 (KINGERY EXPRESSWAY)  
 IL ROUTE 83 RECONSTRUCTION  
 RETAINING WALL - STRUCTURE NO. 016-W835  
 SECTION 2425 R-3 & 2425-711B  
 COOK COUNTY

**WALL SECTIONS & DETAILS AT HIGH MAST TOWER**

DATE: 02/20/2004  
 DRAWN BY: SC  
 CHECKED BY: MJK

**TENG**  
 TENG & ASSOCIATES, INC.  
 ENGINEERS/ARCHITECTS/PLANNERS  
 CHICAGO, ILLINOIS

7-II-2005, 13:33:29  
 I:\DOCUMENTS\931750\STRUCT\DRAWING\835\28.DWG  
 BAJZEKJ  
 12 13 14 15 16 17 18 19 20 21 22 23 24 25 26 27 28 29 30 31 32 33 34 35 36 37 38 39 40 41 42 43 44 45 46 47 48 49 50 51 52 53 54 55 56 57 58 59 60 61 62 63