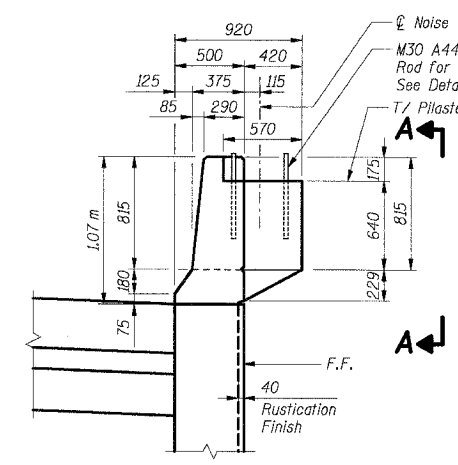
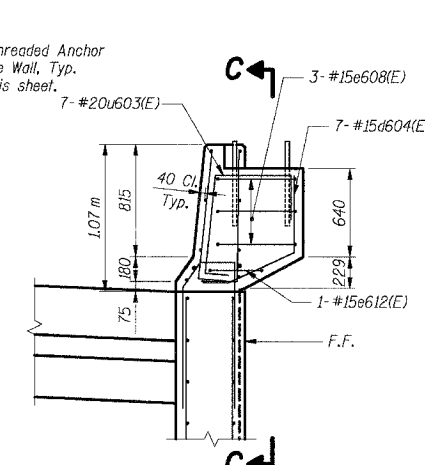


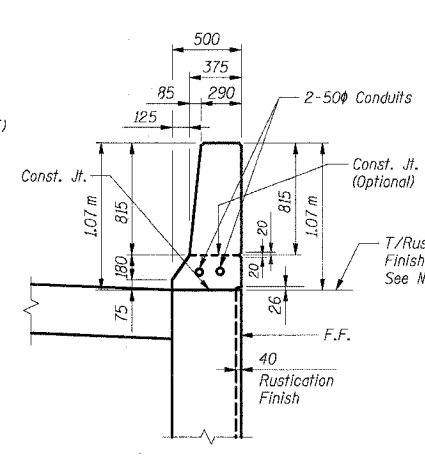
F.A.I. RTE.	SECTION	COUNTY	TOTAL SHEETS	SHEET NO.
80/94	2626.2-R-2	COOK	1207	767
STA.	TO STA.			
FED. ROAD DIST. NO.	ILLINOIS	FED. AID PROJECT		
CONTRACT NO. 62114				



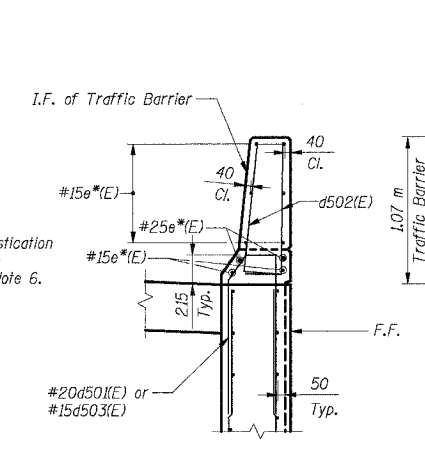
TRAFFIC BARRIER W/PILASTER



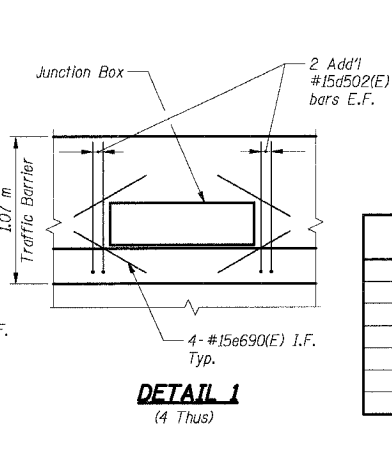
TRAFFIC BARRIER W/PILASTER (Showing Reinforcement)



TYPICAL TRAFFIC BARRIER SECTION



TYPICAL TRAFFIC BARRIER SECTION (Showing Reinforcement)



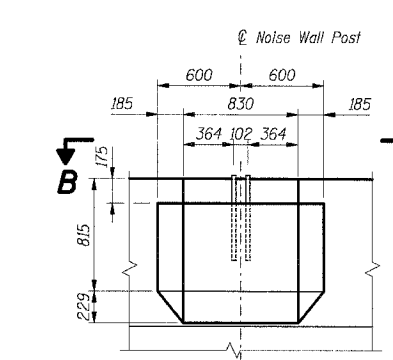
DETAIL 1 (4 Thus)

BAR LIST FOR EACH PILASTER (FOR INFORMATION ONLY)

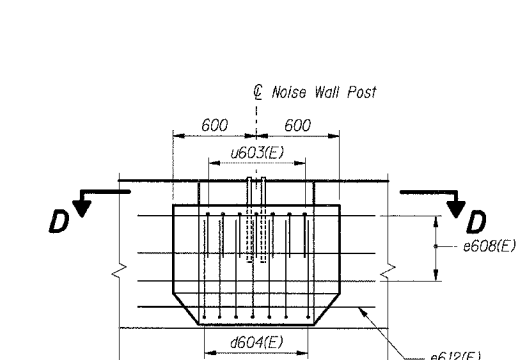
Bar	No.	Size	Length (m)	Shape
d604(E)	7	#15	1.30	┌
e608(E)	3	#15	2.56	~
e612(E)	1	#15	2.20	~
u603(E)	7	#20	2.00	┌

BILL OF MATERIAL

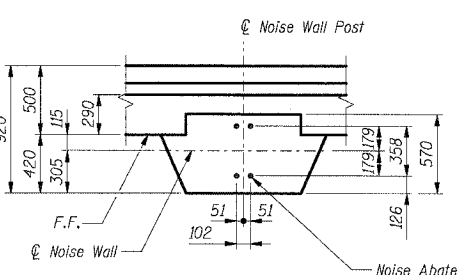
Item	Unit	Total
Noise Abatement Wall Anchor Rod Assembly	Ea	158



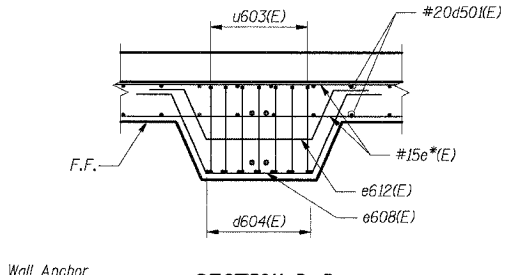
ELEVATION A-A



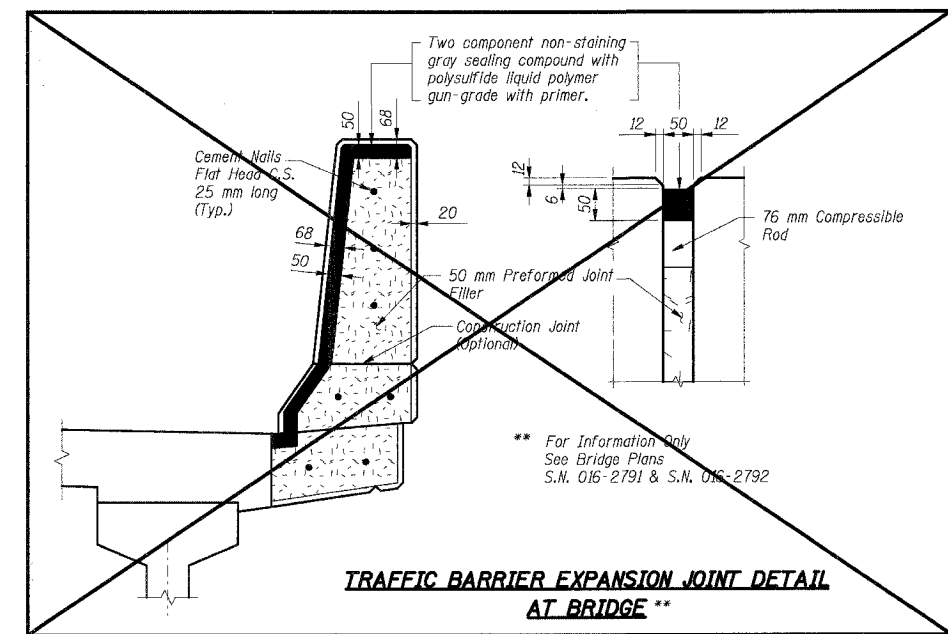
SECTION C-C



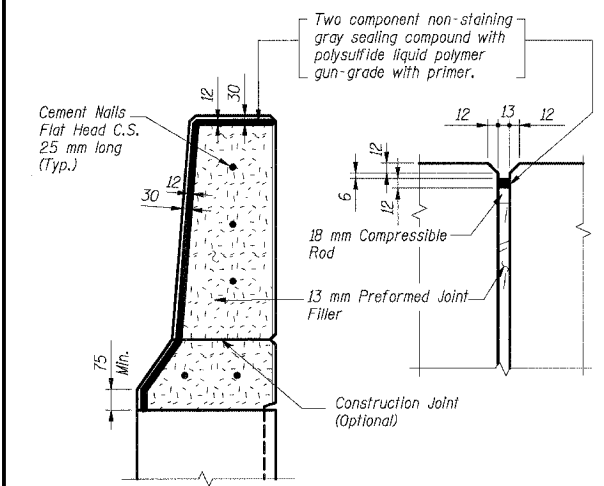
PLAN B-B



SECTION D-D

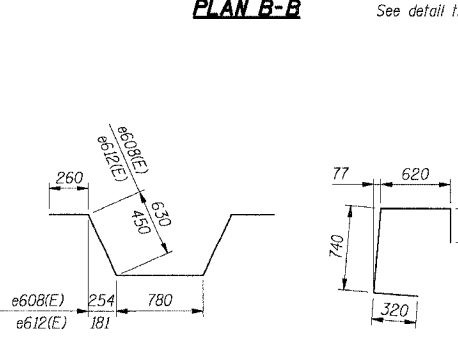


TRAFFIC BARRIER EXPANSION JOINT DETAIL AT BRIDGE**

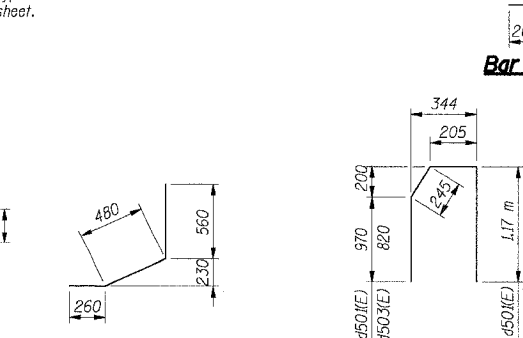


TYPICAL TRAFFIC BARRIER EXPANSION JOINT DETAIL

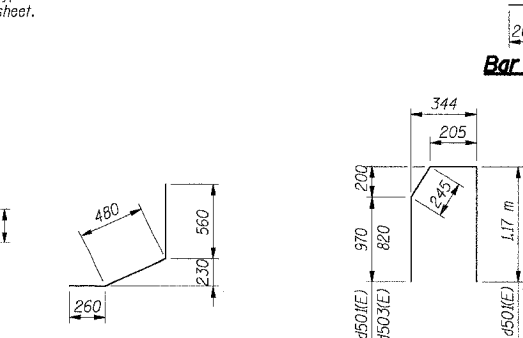
Cost of joint sealant, P.J.F. and cement nails are included with Concrete Structures.



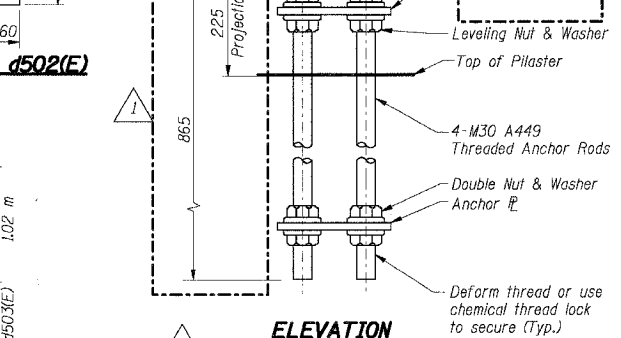
Bars e608(E) & e612(E)



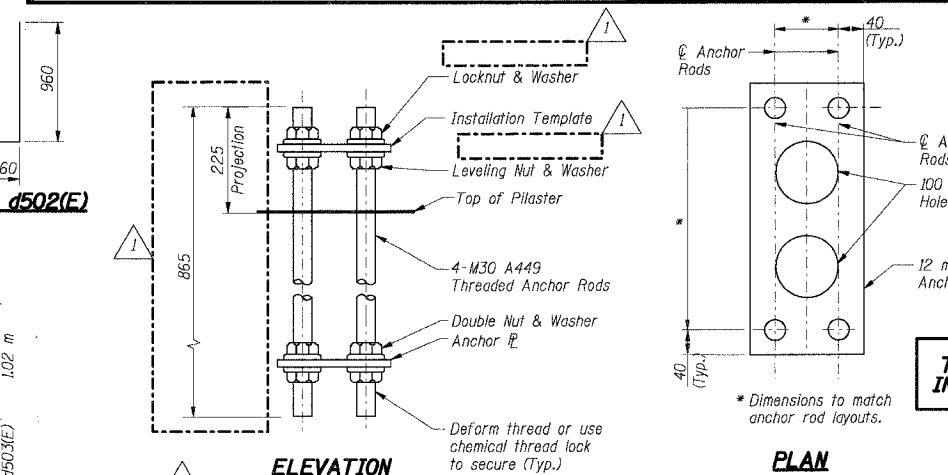
Bar u603(E)



Bar d604(E)



Bars d501(E) & d503(E)



ELEVATION

PLAN

NOISE ABATEMENT WALL ANCHOR ROD ASSEMBLY (158 Required)

THIS SHEET FOR INFORMATION ONLY

SHT. RW849-52 OF 61

REVISIONS	
NAME	DATE
MJK	5/25/04

ILLINOIS DEPARTMENT OF TRANSPORTATION
F.A.I. ROUTE 80/94 (KINGERY EXPRESSWAY)
LOCAL ROADS RECONSTRUCTION
RETAINING WALL - STRUCTURE NO. 016-W849
SECTIONS 2001-167R AND (2425 & 2626) R-1
COOK COUNTY

TRAFFIC BARRIER SECTIONS & DETAILS

DATE: 3/10/2004
DRAWN BY: CHECKED BY: MJK
TENG
TENG & ASSOCIATES, INC.
ENGINEERS/ARCHITECTS/PLANNERS
CHICAGO, ILLINOIS

7-H-2005, 10-3426
F:\DOCUMENTS\103750\STRUCT\CON\RS\89852A.DWG
BAJZEK.J
12.3.4.56 78 9 10 11 12 13 14 15 16 17 18 19 20 21 22 23 24 25 26 27 28 29 30 31 32 33 34 35 36 37 38 39 40 41 42 43 44 45 46 47 48 49 50 51 52 53 54 55 56 57 58 59 60 61 62 63