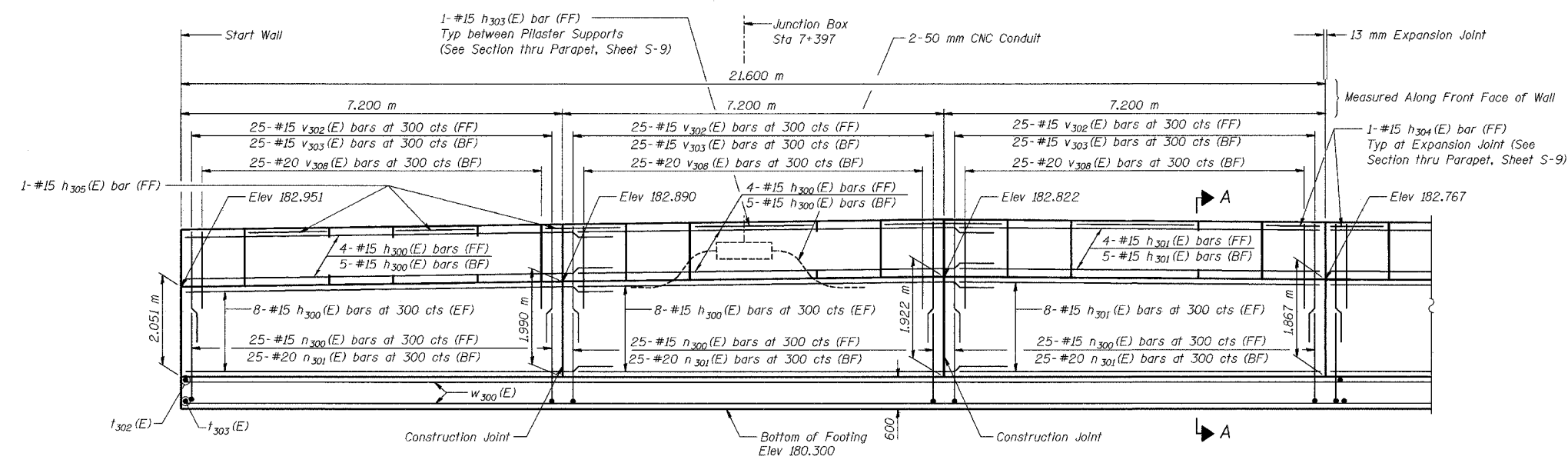


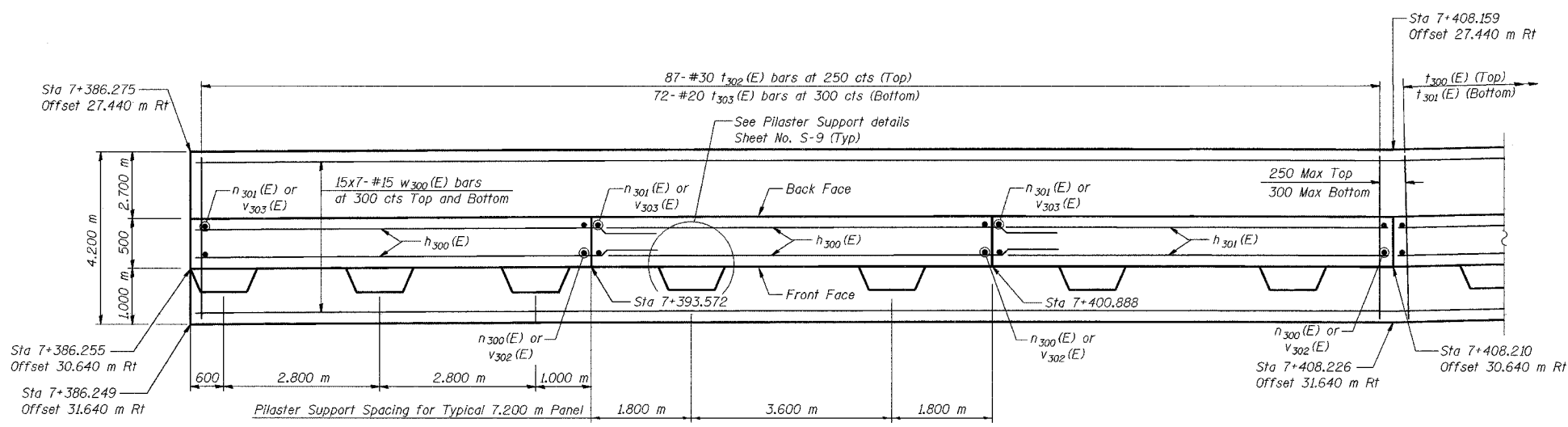
ROUTE NO.	SECTION	COUNTY	SHEET NO.	SHEET TOTAL
F.A.I.	2001-167R	COOK	1207	785
DATE	08/94	167R		
ILLINOIS	FED. AID PROJECT	C-NUMBER		

SHEET NO. S-3  
14 SHEETS

CONTRACT No. 62114



**ELEVATION**



**FOOTING PLAN**

**NOTES:**  
See Sheet S-9 for Section A-A, Expansion Joint Detail, and Bill of Material.  
See Sheet S-10 for Rustication details.  
Stations are referenced to C 1-80/94.  
Reinforcement bars designated (E) shall be epoxy coated.  
All dimensions are in millimeters (mm) except as noted.  
See Electrical Drawings for Junction Box and Conduit Details.  
Bars indicated thus 20 x 3-#15 etc. indicates 20 lines of bars with 3 lengths per line.

DESIGNED	KFA
CHECKED	MJW
DRAWN	MJW
CHECKED	GSP

**MINIMUM BAR LAPS**  
#15 bars = 640  
#20 bars = 790

**LEGEND**  
BF = Back Face  
FF = Front Face  
EF = Each Face

ILLINOIS DEPARTMENT OF TRANSPORTATION  
F.A.I. ROUTE 80/94 AND U.S. ROUTE 6  
LOCAL ROAD RECONSTRUCTION

**PLAN AND ELEVATION (1 OF 6)**  
**SECTION 2001-167R**  
**COOK COUNTY**  
**STATION 7+386.260 to STATION 7+543.382**  
**STRUCTURE NO. 016-W853**  
DATE 07/05

**AMERICAN**  
CONSULTING ENGINEERS

FOR INFORMATION ONLY