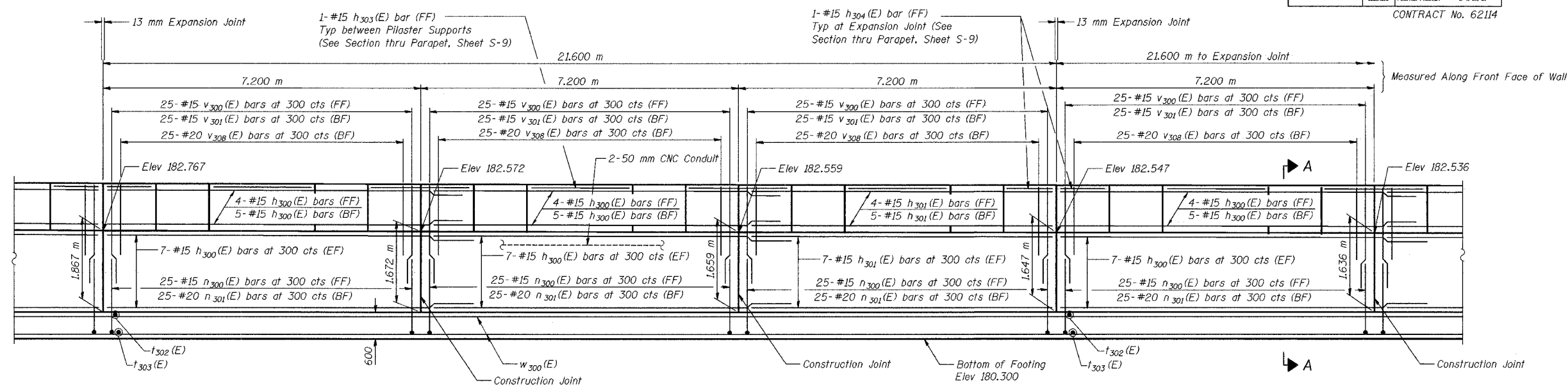
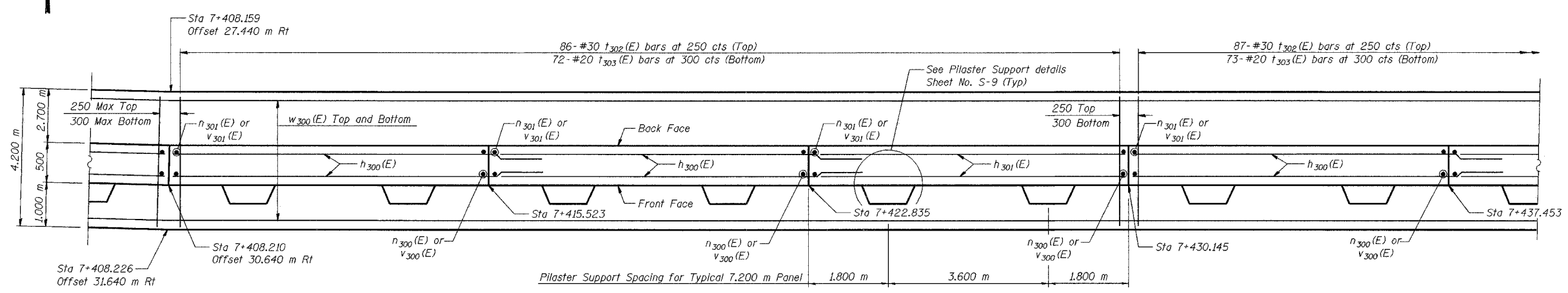


ROUTE NO.	SECTION	COUNTY	SHEET NO.	SHEET TOTAL
F.A.I.	06/94	COOK	1207	786
ILLINOIS	FED. AID PROJECT:	C-60-BU-81	CONTRACT No. 62114	



ELEVATION



FOOTING PLAN

DESIGNED	KFA
CHECKED	MJW
DRAWN	MJW
CHECKED	GSP

MINIMUM BAR LAPS

#15 bars = 640
#20 bars = 790

LEGEND

BF = Back Face
FF = Front Face
EF = Each Face

NOTES:

See Sheet S-9 for Section A-A, Expansion Joint Detail, and Bill of Material.
See Sheet S-10 for Rustication details.
Stations are referenced to ϕ I-80/94.
Reinforcement bars designated (E) shall be epoxy coated.
All dimensions are in millimeters (mm) except as noted.
See Electrical Drawings for Junction Box and Conduit Details.

ILLINOIS DEPARTMENT OF TRANSPORTATION
F.A.I. ROUTE 80/94 AND U.S. ROUTE 6
LOCAL ROAD RECONSTRUCTION

PLAN AND ELEVATION (2 OF 6)
SECTION 2001-167R
COOK COUNTY
STATION 7+386.260 to STATION 7+543.382
STRUCTURE NO. 016-W853

DATE 07/05

AMERICAN
CONSULTING ENGINEERS

FOR INFORMATION ONLY